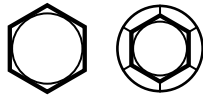


Metric

Métrique




**Automotive / Hex Flange Serrated Screws**  
 Vis dentelées pour automobile / hexagonales à embase

**Hex Head Dog Point**

**STEEL**


**Ford Products '79/.**




SPAENAUR No.	Screw Size	Hex Width	Washer O.D.	Finish	PKG QTY.
461-018	M6 x 1.00 x 18 mm	8 mm	19 mm	Zinc, Yellow Dichromate	50
461-019	M6 x 1.00 x 23 mm	8 mm	19 mm	Zinc, Yellow Dichromate	50

**General Motors '77/'79**

Substance & FINISH:  
Usually to O.E.M. Specifications



▲ Regular Point




\*with Starter Point

▲ 461-A01-1Y	M6 x 1.00 x 25 mm	10 mm	17 mm	Phosphate (Black)	25
▲ 461-004	M6.3 x 1.00 x 20 mm	10 mm	17 mm	Phosphate (Black)	25
*461-001	M6.3 x 1.00 x 20 mm	10 mm	20 mm	Phosphate (Blue)	25
*461-A02-1C	M6.3 x 1.00 x 25 mm	10 mm	23.8 mm	Phosphate (Black)	25
*461-005	M10 x 1.50 x 40 mm	15 mm	28.6 mm	Phosphate (Black)	25
466-001	M6.3 x 20 mm	10 mm	23.8 mm	Phosphate (Black)	25

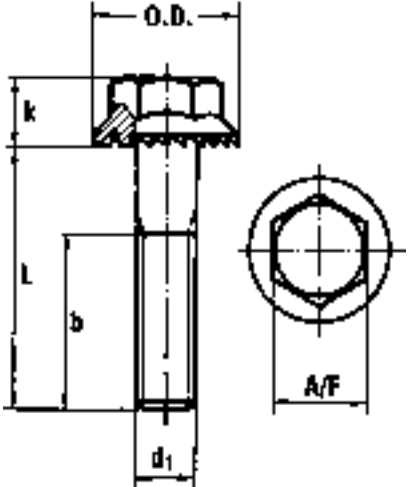
**Tensilok®**

**Hex Flange (serrated) Screws**

Steel — Black Finish



**One Piece Construction**



d1=Dia.	M5	M6	M8	M10	M12	M16
Pitch mm	0.8	1	1.25	1.5	1.75	2
b max.	16	18	22	26	30	38
O.D. max.	11.20	14.25	18.25	21	24	31
k max.	4.3	5.5	7	7.9	8.7	11.2
A/F	8	10	13	15	17	22
Lgth. mm	<b>ORDER BY SPAENAUR NUMBERS LISTED BELOW</b>					
8	328-210					
10	328-211	328-215				PKG QTY.
12	328-212	328-216	328-222			25
16	328-213	328-217	328-223	328-231		
18		328-218	328-224	328-232		
20	328-214	328-F16-1K	328-225	328-233	328-239	
22			328-226	328-234		
25		328-220	328-227	328-235	328-240	328-246
30		328-221	328-228	328-236	328-241	328-247
35			328-229	328-237	328-242	328-248
40			328-230	328-238	328-243	328-249
45					328-244	328-250
50					328-245	328-251
55						328-252
60						328-253
70						328-254

Tensile strength R<sub>m</sub>: • for **M5 - M10** dia. min. **900-1100 MPa**  
 (approx. 130500-159500 psi)  
 • for **M12 - M16** dia. min. **1000-1200 MPa**  
 (approx. 145000-174000 psi)

B

CATALOG 14 SPAENAUR