

Anti-Vibration Mounts

Metric

Supports antivibratoires

Métrique

Natural Rubber & Steel

MOUNT

Cylindrical Mount Type C



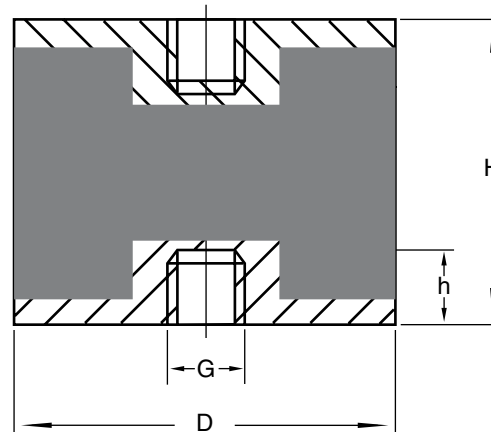
Type C MOUNTS — to isolate FANS, CONVERTERS, ELECTRICAL MACHINERY, PUMPS, etc.

Features:

Type C mounts consists of a cylindrical rubber body with steel plates securely bonded to both ends. Each plate has a threaded central hole for attachment. The top steel plate is bolted to the machine foot or baseplate and the bottom steel plate is secured to the floor - for instance, with an expansion-shell bolt. In some cases a steel dowel pin may suffice.

Applications:

Type C mounts are primarily suitable for vertically loaded machines which make only slight sideways movements in operation. It provides relatively flexible machine mounting which, if necessary, can be made more flexible by tilting the isolator. In this way isolation is achieved by a combination of compression and shear instead of by compression alone.



Operating Temperature Range -35° to +70°C.

J

Hardness		Type	DIMENSIONS (in millimetres)			*G Thread (Coarse)	Approx. Weight kg	Compression Load (in N)	
A 40° IRH SOFT (Green or Plated Plates our option)	B 60° IRH MEDIUM (Black Plates)		D	H	h			Hardness "A"	Hardness "B"
		PKG QTY. 1							
		*Threads not subject to gauging.							
Spaenaur No.	Spaenaur No.								
314-F06-1K	314-F07-1W	C 20/20	20	20	6	M6	0.020	112	238
314-F08-1M	314-010	C 20/30	20	30	6	M6	0.024	104	226
314-F36-1A	314-F11-1X	C 30/28	30	28	8	M8	0.046	256	544
314-013	314-F13-1P	C 30/36	30	36	8	M8	0.056	241	521
314-015	314-F15-1C	C 50/36	50	36	10	M10	0.150	774	1603
	314-118	C50/40	50	40	10	M10	0.155	750	1580
314-017		C 50/42	50	42	10	M10	0.163	726	1533
314-F17-1T	314-F18-1K	C 50/48	50	48	10	M10	0.180	697	1490
314-F19-1W	314-F20-1K	C 75/36	75	36	12	M12	0.346	2247	4363
314-F35-1X	314-024	C 75/42	75	42	12	M12	0.377	1987	3975
314-025	314-F24-1A	C 75/48	75	48	12	M12	0.410	1828	3738
314-027	314-F26-1Y	C 100/42	100	42	16	M16	0.735	4750	8321
314-F27-1C	314-030	C 100/48	100	48	16	M16	0.780	3750	7573
314-031	314-F30-1N	C 100/54	100	54	16	M16	0.840	3250	7083
314-033	314-034	C 140/42	140	42	12.5	M20	1.420	12000	22201
314-035	314-036	C 140/48	140	48	12.5	M20	1.520	10000	19146
314-037		C 140/60	140	60	20	M20	1.725	7500	15804

Metric

Novibra Anti-Vibration Mounts - Type RA

Métrique

Supports antivibratoires Novibra – type RA

Natural Rubber & Steel

MOUNT

Novibra type RA

Features:

RA uses the rubber profile in shear and compression obtaining good vertical flexibility with the advantage of horizontal stability. For normal speeds of approx. 1500 rpm the RA type provides a degree of isolation of 75-85%. For even better isolation, the alternative RAEM or M can be chosen.

Its unique construction and the latest production methods make Novibra type RA a high performance mounting having a number of advantages:

- Rubber features are utilized effectively combining compression and shear.
- Tight tolerances on dynamic stiffness rate for accurate vibration calculations.
- Corrosion protected to cope with arduous environments on land or marine applications (Fe/Zn 8C as per ISO 2081).
- Stronger base metal withstands high shock loads without deformation.
- Fitted as standard with a shock-proof device (up to 5 g) with resilient stop, making RA ideal for use on mobile or marine applications.
- Clear and durable product marking so that mountings can be identified even after several years in operations.
- Domed shape cover to protect against oil contamination.

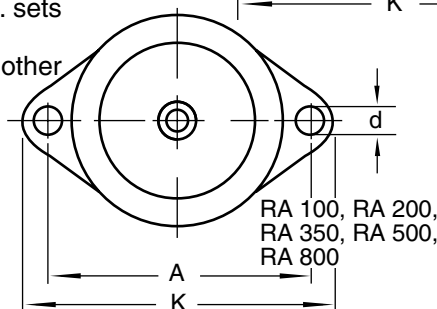
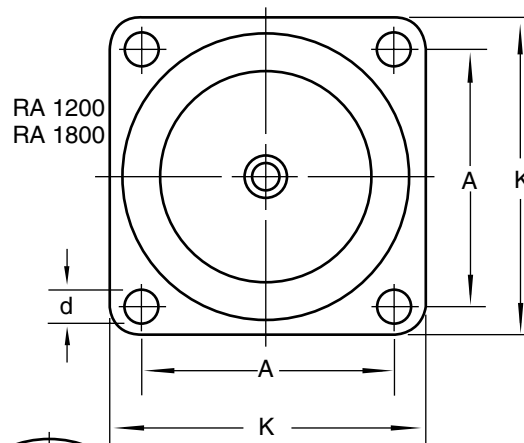
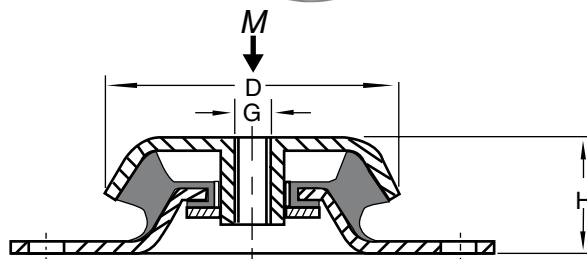
Applications:

For the effective isolation of vibration and noise on different machines with rotating movements, like:

- Compressors
- Pumps
- Combustion engines
- Industrial and marine gen. sets
- Generators
- Fans

Also suitable for use with presses, punches and other workshop machines.

Operating Temperature Range **-35° to +70°C.**



*Threads not subject to gauging.

PKG QTY. 1

Hardness		Novibra Type	DIMENSIONS (in millimetres)					*G Thread (Coarse)	Approx. Weight kg	M Max. Load (in kg) Hardness "A" "B"	
A 40° IRH SOFT (Green) Spenaaur No.	B 60° IRH MEDIUM (Black) Spenaaur No.		D	A	K	H	d			"A"	"B"
314-039	314-040	RA 100	79	110	130	30	9	M10	0.330	95	190
314-041	314-042	RA 200	94	124	150	35	10	M10	0.470	180	270
314-043	314-044	RA 350	101	144	175	38	14	M16	0.737	250	450
314-045	314-046	RA 500	123	158	192	42	14	M16	1.020	400	600
314-047	314-048	RA 800	144	182	216	48	14	M16	1.589	750	1300
314-049	314-F43-1T	RA 1200	161	140	170	58	14	M20	2.188	900	1600
314-051	314-052	RA 1800	181	160	190	66.5	14	M20	2.325	1300	2100

Dynamic Characteristic Charts for mounting are available on request.

Novibra Anti-Vibration Mounts - Type RAEM

Metric

Supports antivibratoires Novibra – type RAEM

Métrique

Natural Rubber & Steel

MOUNT

Novibra type RAEM

Features:

RAEM is a universal mounting for applications demanding maximum isolation. It is a further development of RA, where EM stands for "extra soft". Suitable for both light and heavy machines.

For normal speeds of approx. 1500 rpm the RAEM type provides a degree of isolation of 85-95%, and gives a good isolation even with low frequency machines.

Its unique construction and the latest production methods make Novibra type RAEM a high performance mounting having a number of advantages:

- Rubber features are utilized effectively combining compression and shear.
- Tight tolerances on dynamic stiffness rate for accurate vibration calculations.
- Wide load rating options, **10-3400 kg**.
- Corrosion protected to cope with arduous environments on land or marine applications (Fe/Zn 8C as per ISO 2081).
- Stronger base metal withstands high shock loads without deformation.
- Fitted as standard with a shock-proof device (up to **5g**) with resilient stop, making RAEM ideal for use on mobile or marine applications.
- Clear and durable product marking so that mountings can be identified even after several years in operation.
- Domed shape cover to protect against oil contamination.

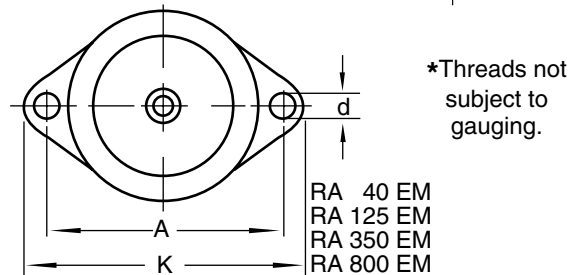
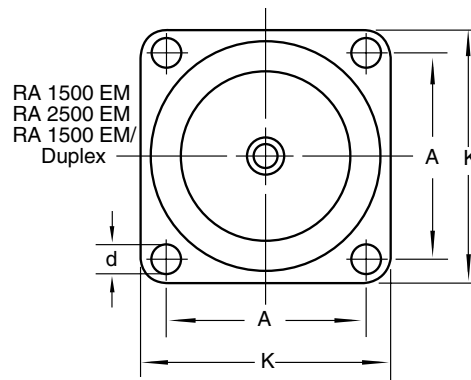
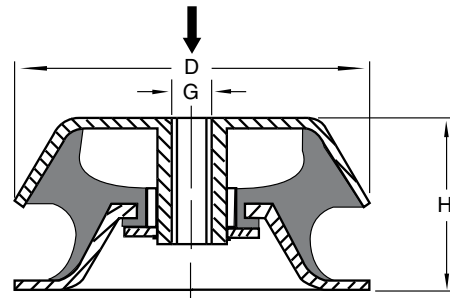
Applications:

For the effective isolation of vibration and noise on different machines with rotating movements, like:

- Compressors
- Industrial fans
- Generator
- Defibrators
- Refiners
- Large milling machinery
- Combustion engines
- Industrial and marine gen. sets
- Emergency power sets
- AC Units

Operating Temperature Range **-35° to +70°C**.

PKG QTY. 1



Hardness		Novibra Type	DIMENSIONS (in millimetres)					*G Thread (Coarse)	Approx. Weight kg	M Max. Load (in kg) Hardness	
A 40° IRH SOFT (Green) Spaenaur No.	B 60° IRH MEDIUM (Black) Spaenaur No.		D	A	K	H	d			"A"	"B"
314-053	314-054	RA40EM	64	88	110	35.5	9	M10	0.255	25	45
314-055	314-056	RA125EM	84	110	135	35.5	11	M10	0.372	70	150
314-F02-1Y	314-058	RA350EM	110	144	175	42	14	M16	0.800	200	400
314-059	314-060	RA800EM	155	182	216	54	14	M16	1.784	500	800
314-061	314-062	RA1500EM	182	146	180	85	14	M20	3.000	900	1700
314-063	314-064	RA2500EM	224	180	220	105.5	17.5	M24	4.620	1700	3400

Dynamic Characteristic Charts for mounting are available on request.

Metric

Novibra Anti-Vibration Mounts - Type M

Métrique

Supports antivibratoires Novibra – type M

Natural Rubber & Steel

MOUNT

Novibra type M

Features:

Novibra type M is specifically designed to give high resilience at low loads. Although the mount design allows high deflection, they are compact in weight and easy to install.

Its unique construction and the latest production methods make Novibra type M a high performance antivibration mounting having a number of advantages:

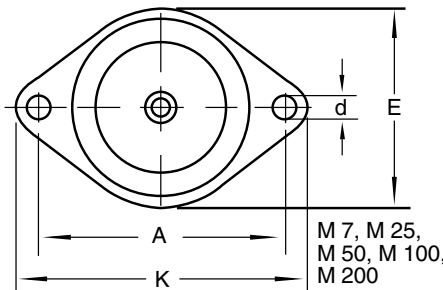
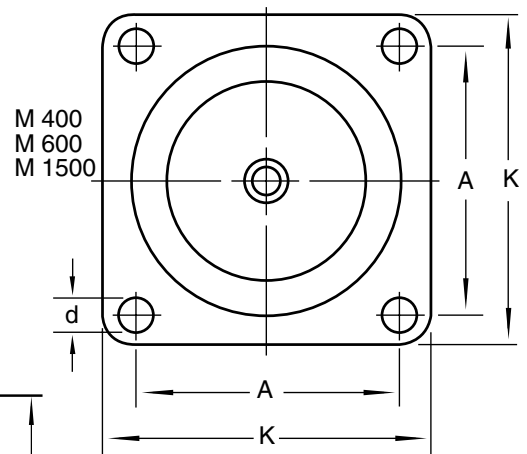
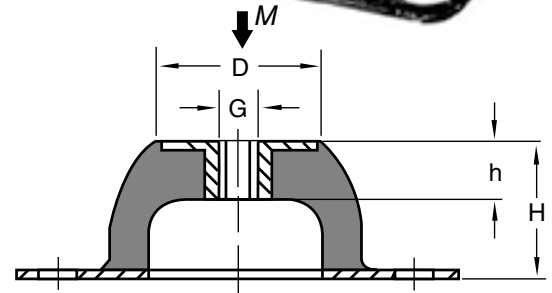
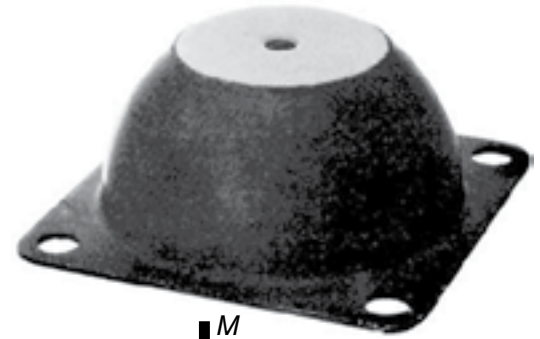
- Tight tolerances on dynamic stiffness rate for accurate vibration calculations.
- Wide load rating options, **3.5-2500 kg**.
- Corrosion protected to cope with arduous environments on land or marine applications (Fe/Zn 8C₃ as per ISO 2081).
- Clear and durable product marking so that mountings can be identified even after several years in operation.

Applications:

Type M is ideal for applications involving isolation of low frequency vibrations in all planes. Also suitable for shock attenuation due to the designed ability to give large deflections while providing passive vibration on electronic instruments, measuring equipment, test cells.

Specific fields of application are:

- Compressors
- Refrigerators
- AC units
- Noise control units
- Ventilators
- Powder handling machinery
- Vibratory screens
- Electric motors
- Fans
- Weighing scales
- Pumps
- Test cell equip.
- Food processing equip.
- Packaging applications



Operating Temperature Range **-35° to +70°C**.

*Threads not subject to gauging.

PKG QTY. 1

Hardness		Novibra Type	DIMENSIONS (in millimetres)							*G Thread (Coarse)	Approx. Weight kg	M Max. Load (in kg) Hardness	
A 40° IRH SOFT (Green)	B 60° IRH MEDIUM (Black)		D	E	A	K	H	d	h			"A"	"B"
Spaenaur No.	Spaenaur No.												
314-067	314-068	M25	33	56	66	85	25	8	11	M8	0.07	20	40
314-069	314-070	M50	45	76	92	114	35	10	14	M10	0.16	40	65
314-071	314-072	M100	53	96	110	136	40	11.5	15	M10	0.26	70	130
314-073	314-074	M200	58	101	124	151	45	11.5	13	M10	0.42	130	220
314-075	314-076	M400	78		120	150	63	14.5	18	M12	1.06	280	500
314-077	314-078	M600	100		160	200	85	14.5	25	M16	2.35	380	750
	314-080	M1500	186		250	310	160	18	43	M24	9.43	1400	2500

Dynamic Characteristic Charts for mounting are available on request.

Novibra Anti-Vibration Mounts - Type SAW

Metric

Supports antivibratoires Novibra – type SAW

Métrique

Natural Rubber & Steel

MOUNT

Novibra type SAW



Features:

Novibra type SAW mountings consist of a cylindrical shaped rubber section with integrally bonded interleaf metal plates which are bonded to two square heavy duty outer metal fixing plates. It has been designed for large compressive thrust forces with minimum deformation, while providing low shear stiffness rates.

The combination of a stable low installation height, high compressive strength and low shear stiffness makes Novibra type SAW a versatile high performance antivibration mounting. Installation is easy due to only 4 clearance holes in each fixing plate.

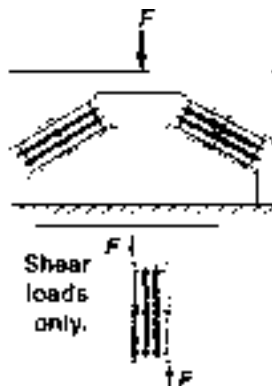
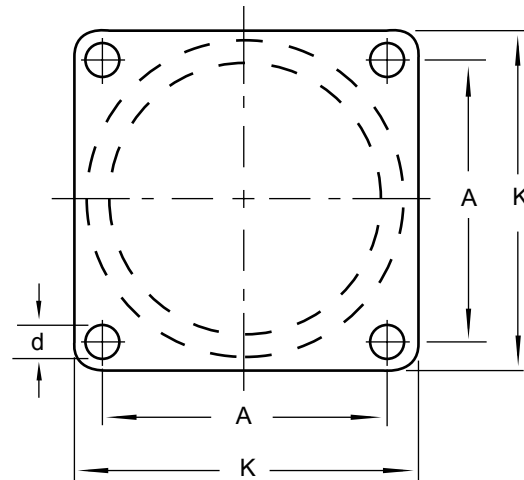
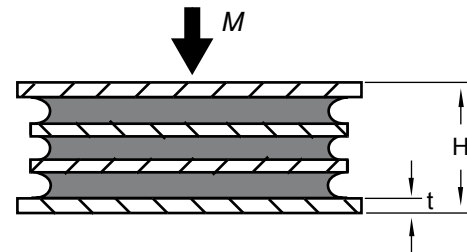
By connecting 2 SAW elements in series i.e. one on top of another, an increased isolation efficiency is achieved in both shear and compression planes to isolate very low frequencies. Where large deflections are required in the vertical plane Novibra type SAW mountings can be mounted at a calculated angle configuration to provide the optimum spring rate between shear and compression stiffness.

Applications:

Novibra elements type SAW are heavy duty mountings for high vertical static and shock loads in compression, while at the same time providing high isolation values in the horizontal shear direction.

Typical fields of application are:

- Crushers
- Edge runners
- Hoppers and feeders
- Other very heavy machines and equipment
- Vibration rollers
- Screens
- Grinders
- Mills



Operating Temperature Range
-35° to +70°C.

PKG QTY. 1

Hardness		Novibra Type	DIMENSIONS (in millimetres)					Approx. Weight kg.	M Compression Max. (in kg) Hardness		F Approx. Shear Max. (in kg) Hardness	
A 40° IRH SOFT (Green)	B 60° IRH MEDIUM (Black)		K	H	A	d	t		A	B	A	B
Spaenaur No.	Spaenaur No.											
314-081	314-F01-1P	SAW 125	148	52	118	13.5	5	2.580	2250	4500	249	599
314-083	314-084	SAW 150	166	63	136	13.5	6	4.145	3750	7500	317	816
314-085	314-086	SAW 200	220	82	184	17	8	9.225	6000	12000	544	1293

Dynamic Characteristic Charts for mounting are available on request.

J

Metric

Novibra Anti-Vibration Mounts - Type VT

Métrique

Supports antivibratoires Novibra – type VT

Natural Rubber & Steel

MOUNT

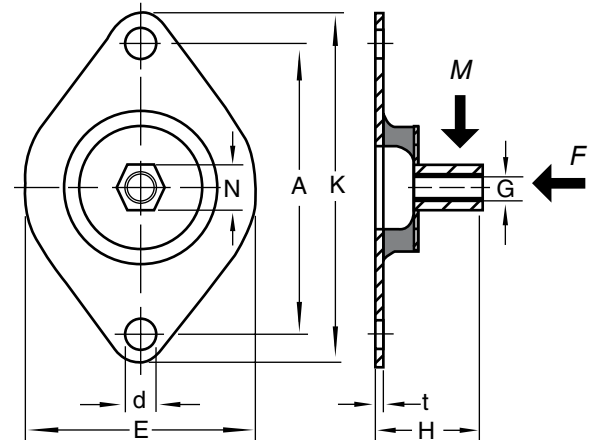
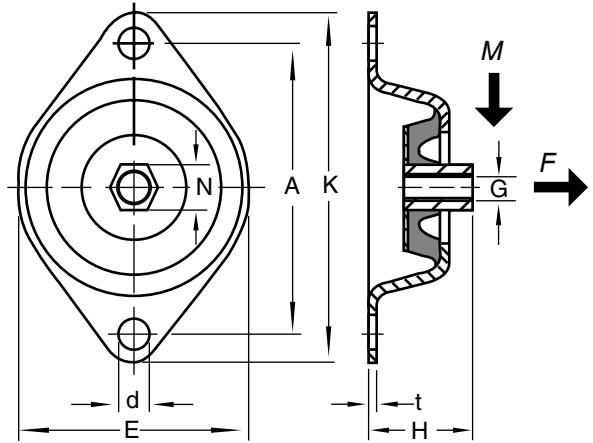
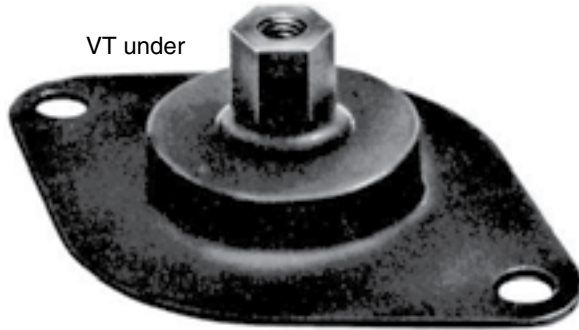
Novibra type VT

(See Next Page for Type TK)

VT over



VT under



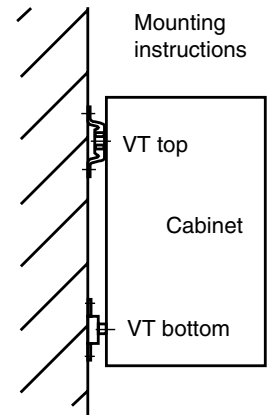
Features:

Novibra type VT has been designed in such a way that upon installation the rubber section is subjected to shear loads, thus providing high deflection even at low loads. Two different parts are available, of which the "over" part provides for protection against tension preventing the isolated unit from falling down if overloading occurs. VT "under" is designed to accept compression loads and permits shear deflection mainly.

Applications:

Novibra type VT protects wall-mounted instrument cabinets from vibrations and shocks generated by nearby engines, workshop machinery, etc. It is also suitable to isolate light wall-mounted machines, fans, refrigerating units, etc. Mounting type VT "over" can also be used for ceiling suspension e.g. fittings, fans, music speakers, etc.

Note:
The "VT over" (or top) part, should always be used with the "VT under" (or bottom) part, when assembling to wall surfaces.



Operating Temperature Range -35° to +70°C.

*Threads not subject to gauging.

Hardness		PKG QTY. 1										F	
A	B	Novibra Type	DIMENSIONS (in millimetres)								Approx. Weight kg	Compression Max. (in kg)	
40° IRH SOFT (Green)	60° IRH MEDIUM (Black)		E	K	A	H	d	t	*G	N		A	B
Spaenaur No. 314-103	Spaenaur No. 314-F03-1C	VT over	75	114	96	33	9	1.5	M8	15	.149	30	70
314-105	314-F04-1N	VT under	75	114	96	33	9	1.5	M8	15	.104	30	70
No's. 314-103 to 314-F04-1N — M SHEAR (Max.)											25	25	

Novibra Anti-Vibration Mounts - Type TK

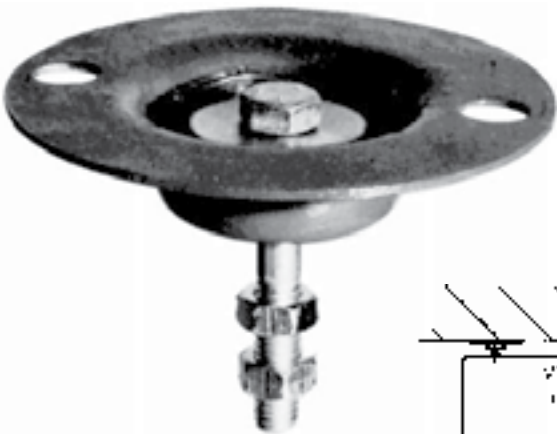
Metric

Supports antivibratoires Novibra – type TK

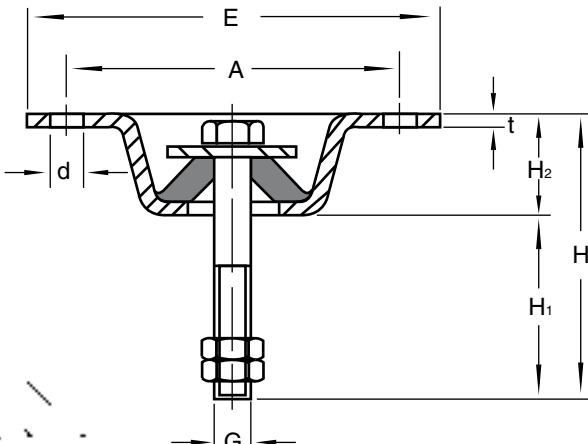
Métrique

Natural Rubber & Steel

MOUNT



Novibra type TK



Operating Temperature Range
-35° to +70°C.

The design of Novibra mounting type TK makes it specifically suitable for ceiling installation. Its function is basically identical to VT-under (shown on previous page), but is intended for lighter load applications.

Hardness A 40° IRH SOFT (Green) Spaenaur No.	PKG QTY. 1										F Max. Load (in kg) A B	
	Novibra Type	DIMENSIONS (in millimetres)								Approx. Weight kg		
		E	A	H	H1	H2	d	t	G			
314-107	TK	58	46	12	22	12	7	1	M5	.036	2	5



For Mago®-Suspend Isolators
see Page J24



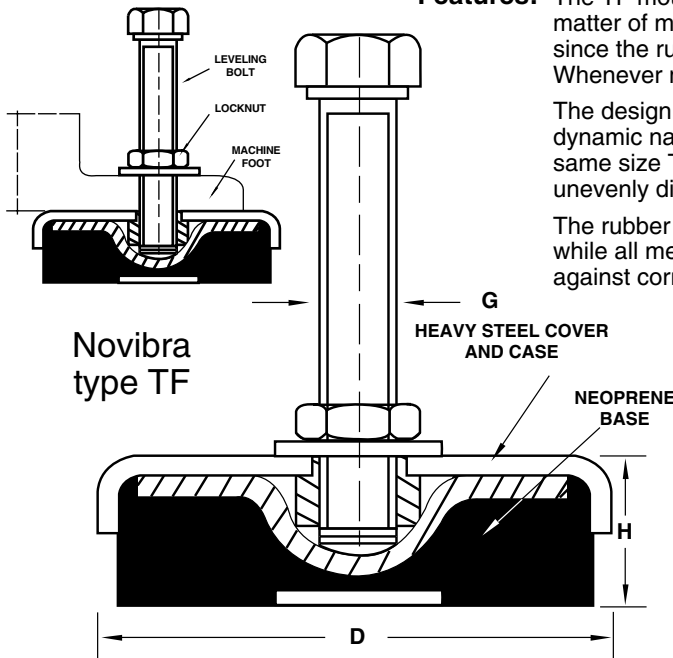
Inch and Metric

Pouce et Métrique

Novibra Anti-Vibration Leveling Mounts

Supports de nivellement antivibratoires Novibra

Novibra



Features: The TF mounting is of simple construction and can be installed in a matter of minutes. There is no need to fix the machines to the floor since the rubber sole of the mounting keeps the machine in place. Whenever necessary, a machine can easily be re-positioned.

The design of the TF mounting allows an approximate constant dynamic natural frequency irrespective of loading. This means that the same size TF can be used under a machine even if the total weight is unevenly distributed over the mounting points.

The rubber element of the TF mounting is oil and chemical resistant while all metal parts are zinc plated and chromated for protection against corrosion.

Applications:

Novibra type TF with level adjuster is a modern machine mounting suitable for a wide range of free standing workshop machines, like:

- Lathes
- Grinding machines
- Carpentry machines
- Nibbling machines
- Presses
- Milling machines
- Multiple operation machinery
- Plate shears
- Punches and cutters
- Plastic moulding machinery

Operating Temperature Range -35° to +70°C.

PKG QTY. 1

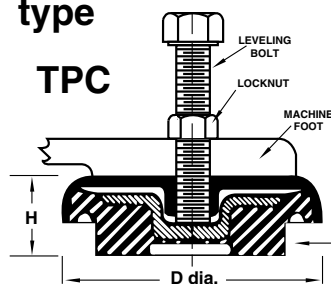
Spaenaur No.	Novibra Type	Dimensions in Millimetres			OVERALL SCREW LENGTH	G THREAD (Metric Coarse)	Max. Load (in kg)
		D	HEIGHT Min.	H RANGE Max.			
314-109	TF 250	69	23	Leveling is possible along whole length of screw.	100 mm	M12 x 1.75	250
314-110	TF 600	81	25		100 mm	M12 x 1.75	600
314-111	TF 1200	108	29		100 mm	M16 x 2.00	1200
314-112	TF 3000	151	35		120 mm	M20 x 2.50	3000
314-113	TF 4000	170	38		120 mm	M20 x 2.50	4000
314-114	TF 6000	205	44		150 mm	M24 x 3.00	6000

reduce noise, control vibration

Loading range per mount (kg)

Type of mounting	General workshop machines	TYPE OF MACHINE			
		Presses and punches	Number of strokes per minute		
		1-125	126-175	176-225	226-275
TF 250	-250	25-125	20-100	15-85	10-60
TF 600	251-600	126-300	101-240	86-200	61-150
TF 1200	601-1200	301-600	241-480	201-400	151-300
TF 3000	1201-3000	601-2400	481-1600	401-1000	301-750
TF 4000	3001-4000	2401-3200	1601-2100	1001-1300	751-1000
TF 6000	4001-6000	3201-4800	2101-3200	1301-2000	1001-1500

type TPC



Spaenaur No.	TYPE	MIN. LOAD	MAX. LOAD	BOLT SIZE & LENGTH	DIMENSIONS		PKG QTY.
					D	H	
314-004	TPC-1	300 lb.	1000 lb.	1/2"-13 x 5"	4-3/4"	1-1/2"	1
314-005	TPC-2	500 lb.	4500 lb.	3/4"-10 x 5"	6-1/4"	1-5/8"	1

(Max.) height adjustments is 1/2". Use blocks or shims for more adjustment.

Height dimensions indicate free height of mount under no load.

NATURAL FREQUENCY IS APPROXIMATELY 12 HERTZ AT MAXIMUM LOAD.

Novibra / Trelcan Anti-Vibration Leveling Mounts

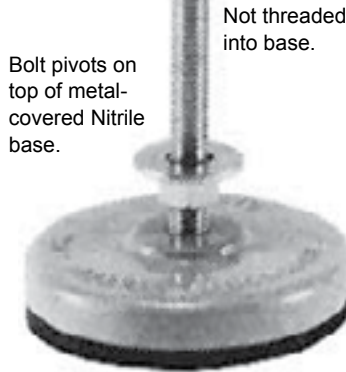
Inch

Supports de nivellement antivibratoires Novibra / Trelcan

Pouce

Novibra

314-200
314-201
314-202



Bolt pivots on top of metal-covered Nitrile base.

PKG QTY. 1

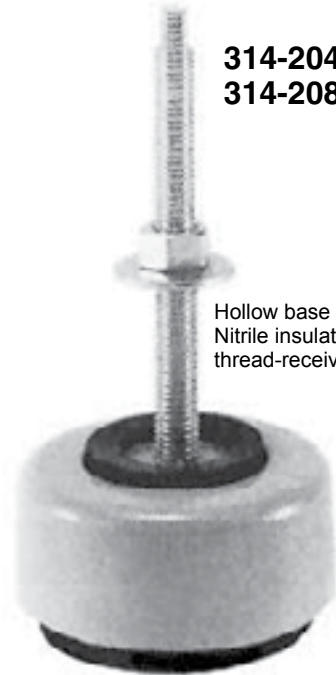
314-205



Bolt is threaded only into Nitrile encased washer at top of base.

More Glides & Levelers on F5

314-204
314-208



Hollow base encloses Nitrile insulated thread-receiver.

SPAENAUR No.	MAX LOAD in LBS.		LEVEL ADJUSTMENT (above loaded hgt.)	LEVELING STUD Size	MOUNT BASE Size	Base Free Height Under NO LOAD	Finish	Net Weight kg
	Non-impact Machinery	Impact Machinery						
314-200	500	350	1"	1/2"-13 x 6"	4" dia.	1"	Grey	0.90
314-201	1000	700	1"	1/2"-13 x 6"	4" dia.	1"	Grey	0.90
314-202	2000	1400	1"	5/8"-11 x 8"	4" dia.	1"	Yellow	0.90
314-204	1500	1000	1/2"	1/2"-13 x 6"	3-1/2" dia	1-7/8"	Zinc Pltd.	1.25
314-208	4500	3000	1/2"	5/8"-11 x 8"	5-1/2" dia.	2-1/4"	Zinc Pltd.	3.20
314-205	8000	5000	1/2"	5/8"-11 x 8"	5-3/4" dia	2"	Black	2.30

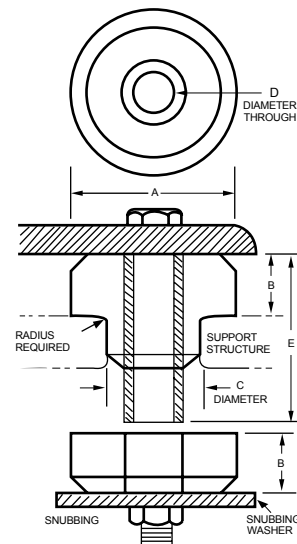
Natural Rubber
68 Durometer

TRELLCAN H SERIES RUBBER MOUNTS

- Off-the-road equipment • Trucks • Cars
- Construction equipment • Radiators

Dimensions in Inches

SPAENAUR No.	A	B	C	D	E	Recommended Support Structure Thickness	Recommended Support Structure Hole Dia.	Axial Load Max. (lbs.)
314-F32-1K	1.87	0.78	1.28	0.52	1.96	0.50	1.25	400
314-F33-1W	2.52	0.90	1.55	0.65	2.45	0.875	1.50	500
314-F34-1M	3.50	1.00	2.28	0.94	2.88	1.125	2.25	1,100



This mount consists of two pieces. One piece fitting into the other as shown in diagram.

PKG QTY. 1

Should be used with a snubbing washer. Washer and Fastener not included.