

Inch

Pouce



Tie-Down Straps

Sangles d'arrimage

PROTECT YOUR INVESTMENT!

Will Not Slip Under Vibration



**INBOARD/
OUTBOARD
& PERSONAL
WATERCRAFT*
TIE-DOWN**

Heavy-duty S-Hooks (upper hook is vinyl-coated) attach to ski-tow eyes on boat and trailer. Anti-scuff pad under fastener protects boat finish. *Can be used to tie off back of Personal Watercraft. Single strap may be used as a Bow Tie-Down.

Tensile Strengths

Fastener: 1,000 lbs.
End Fittings: 1,000 lbs.
Webbing (1" Cordura): 2,500 lbs. Blue Colour.

895-211



**1-3/4" BOAT
GUNWALE
TIE-DOWNS**

Heavy-duty S-Hooks attach to trailer on each side of boat gunwale.

Available in three adjustable lengths: 10 -13 ft., 13 -16 ft., 16 -18 ft.

Tensile Strengths

Fasteners: 2,000 lbs.
End Fittings: 1,000 lbs.
Webbing (1-3/4" Cordura): 3,500 lbs.
Blue Colour.

895-213 13 -16 ft.

895-T01-1C 16 -18 ft.



ALL ITEMS
PKG QTY. 1

Here is a tie-down strap that meets every requirement: ease of installation; rapid adjustability; simple, lock-in tensioning; quick release; operation unaffected by sand, mud, ice or salt water. Strong yet elastic webbing absorbs shocks, preventing damage to cargo or carrier.



Tie-Down Straps & Assemblies

Sangles et assemblages d'arrimage



Inch
Pouce

**FUEL/
BATTERY
TIE-DOWN**

To secure fuel tank or battery box.
Continuous loop strap with quick disconnect.
Adjusts from 4 ft. down to less than 1 ft.
2 each metal retaining clips included.



Tensile Strengths

Fastener: 300 lbs.
End Fitting: 300 lbs.
Webbing (1" Cordura): 2,500 lbs. Blue Colour.

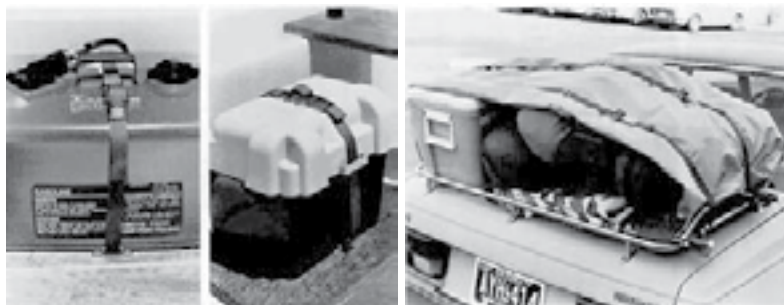
895-218
PKG QTY. 1

**SPORTSMEN'S
UTILITY
TIE-DOWN**

With hooks for a variety of uses. End fittings are vinyl-coated 1" opening wire hooks which can be used on luggage rack, truck bed, flat trailer, etc.

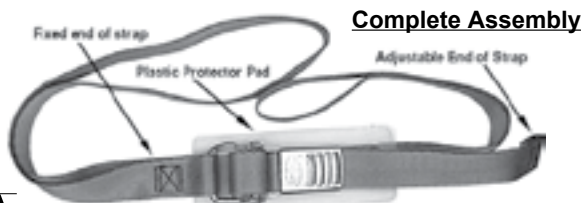
Adjusts from 4 - 8 ft.
Tensile Strengths
Fasteners: 300 lbs.
End Fittings: 1,000 lbs.
Webbing (1" Nylon): 2,500 lbs. Blue Colour.

895-219
PKG QTY. 1



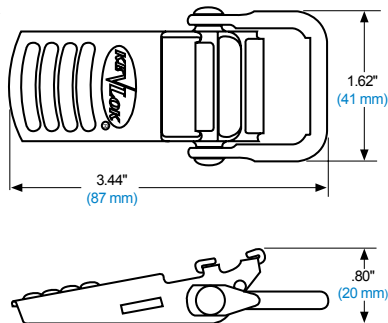
895-231 Strap Assembly PKG QTY. 1

60" Long with Plastic Protector Pad.



FASTENER

Tensioning take up: 5/8" (16 mm)
Tensile Strength: 300 lbs. (136 kg)
Material: Cold Rolled Steel
Finish: Zinc Plate Bronze Chromate

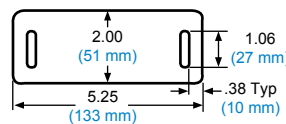


NYLON WEBBING



Grey Colour
Tensile Strength: 2,500 lbs. (1,134 kg)

PROTECTOR PAD



Material: .04 thick Polyethylene
Application: To protect delicate surfaces from fasteners; pad is secured to strap behind fastener.

RUGGED CONSTRUCTION

All KevLok Tie-Downs feature heavy gauge steel hardware with zinc plating and bronze chromate finish - a combination designed to give years of trouble-free service - and webbings with tensile strengths up to 3,500 lbs. Where vibration could be a problem, abrasion resistant, anti-slip Cordura webbing is used to reduce slippage and fraying.

M