

Inch

Grease Fittings / Push on Coupler

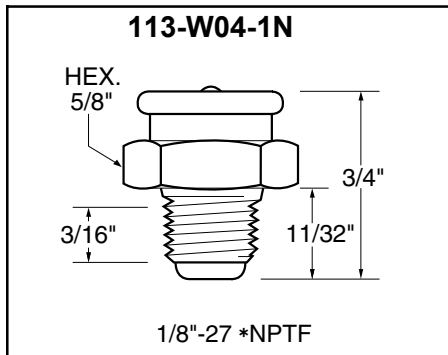
Pouce

Embouts de graissage / Accoupleur enfichable

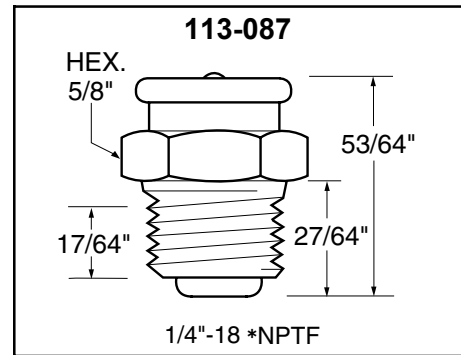
All Fittings on this page are Steel, Zinc Plated.
More Inch Hydraulic Grease Fittings on pages H12 and H13.

PKG QTY. 10

**STANDARD
BUTTON HEAD**

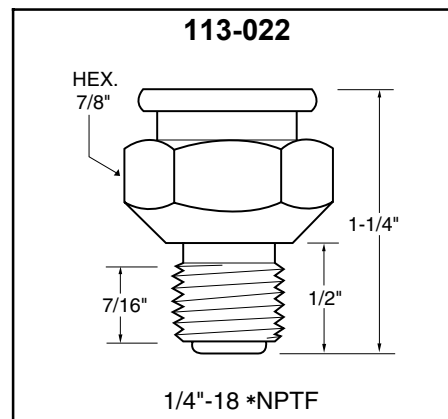


Standard button head lubrication fittings are designed for use where volume flow of lubricant is required. They are used on bearings of earth moving equipment, conveyors, mining machinery and other heavy machinery. The head provides a smooth working surface for easy coupler engagement and removal. The head diameter is 5/8".

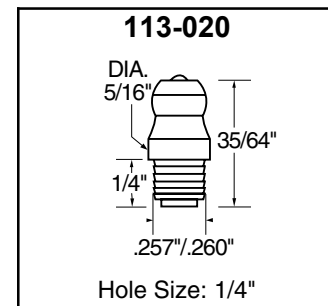
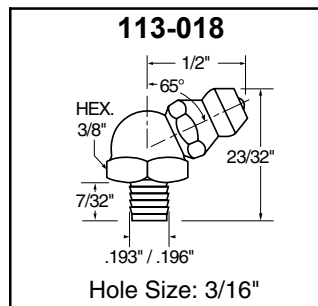
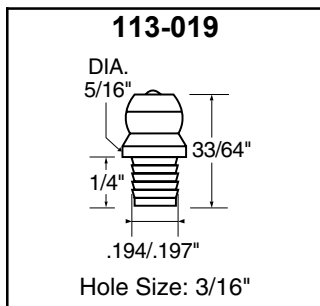


**GIANT
BUTTON HEAD**

Similar to standard button head, except that the head diameter is bigger (7/8"). The flat smooth top assures a quick coupler attachment and avoids wear and cutting of the coupler washer. Designed for heavy duty usage, on earth moving equipment, construction machinery and generally in all kinds of equipment where long service life and high lubricant flow are important.



DRIVE FITTINGS



Drive type fittings are designed for fast production line installation in untapped holes, to avoid thread tapping costs. The hole sizes and shank dimensions are for reference use only. Test applications should be conducted to determine the correct hole size, which varies

depending on the type and hardness of the metal. They have a serrated shank, which facilitates the substitution of damaged fittings in old or oversize holes. Although they grip securely, they are recommended only for low and medium pressures.

**Push-on Coupler for
Standard Button Head
Grease Fitting
Steel, Zinc Plated**

SPAENAUR No.
113-081
PKG QTY. 1



1/8" *NPTF Thread
*** NPTF = National Pipe Thread Fuel**

Steel Grease Fitting & Assortment

Inch

Embouts de graissage en acier et assortiment

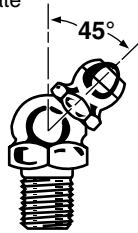
Pouce

STEEL Zinc Plated

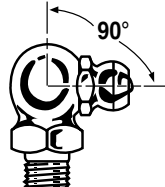
Clear or Yellow Chromate
(Our Option)



GF-641



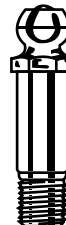
113-W07-2W



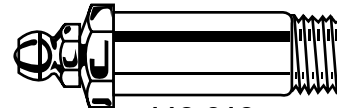
GF-911



GF-680



GF-698

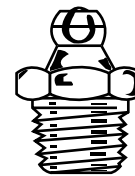


113-016



GF-711

113-086



113-017

ILLUSTRATIONS REPRESENT APPROXIMATE SIZE



GF-644



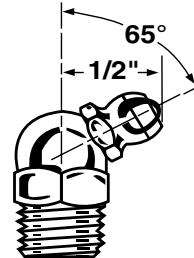
GF-610



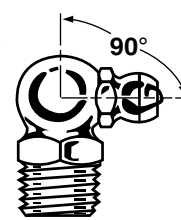
GF-611



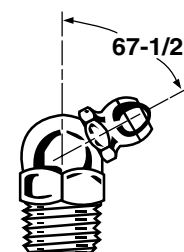
GF-688



GF-612



GF-613



113-015



876-F08-1W
HYDRAULIC CONNECTOR

(Threaded 1/8" N.P.T.F)

Fits all sizes shown at left.
PKG QTY. 1

SPAENAUR No.	Thread	Approximate		Comparison Numbers			
		O.A. Lgth.	Hex A/F	Alemite	Lincoln	Aro.	G.M.
113-089	1/4"-28	.56"	5/16"				
GF-641	1/4"-28 N.F. TAPER	35/64"	5/16"	1641-B	5010	6009	5791992
113-W07-2W		57/64"	.354"	1636-B	5212	6012	
GF-911		3/4"	3/8"	1911-B	5410	6013	
GF-680		31/32"	5/16"	1680-B	5014		
GF-698		1-1/8"	.276"	1698-B	5017		
GF-711	5/16"-24 U.N.F.	21/32"	3/8"	1711	5061	6023	
113-086		19/32"	23/64"				
GF-644	1/8" PIPE THREAD	9/16"	7/16"	1644	5005		
113-085		.602"	7/16"				
GF-610		11/16"	7/16"	1610-B	5000	6000	5791988
GF-611		29/32"	7/16"	1611-B	5100	6004	5791989
GF-688		57/64"	7/16"	1688-B	5200	6005	5791993
GF-612		27/32"	7/16"	1612-B	5300	6006	5791990
GF-613		27/32"	7/16"	1613-B	5400	6007	5791994
113-016	1-3/4"	7/16"	1669-B				
**113-W05-1T	1/4" PIPE THREAD	7/8"	9/16"				
**113-017		53/64"	9/16"				
113-015		31/32"	9/16"	1629-B			

Above Grease Fittings - PKG QTY. 12

** (Except 113-W05-1T and 113-017 - PKG QTY. 10)

ASSORTMENT B-599

INCH Grease Fittings Steel - Zinc Plated

12 SIZES
145 FITTINGS

Furnished in Regular Size grey enamel Steel drawer with scooped bins for easy access. Drawer will fit into Slide Rack shown on page A2.

Shipping Weight **2.85 kg** (6-1/4 lbs.)



External Thread Size	Width Across Flats	Spaenaur No.	Overall Length	Qty.
1/8"-28	7/16"	GF-644	9/16"	15
		GF-610	11/16"	20
		GF-612	27/32"	10
		GF-613	29/32"	
		GF-688	57/64"	
1/4"-28	0.276"	GF-611	29/32"	5
		GF-698	1-1/8"	
	5/16"	GF-641	35/64"	25
		GF-680	31/32"	10
		113-W07-2W	57/64"	5
GF-911	3/4"			
5/16"-24	3/8"	GF-711	21/32"	15

CATALOG 14

SPAENAUR

Inch

Stainless Steel Grease Fitting & Assortments

Pouce

Embouts de graissage en acier inoxydable et assortiments

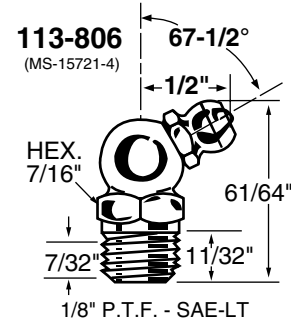
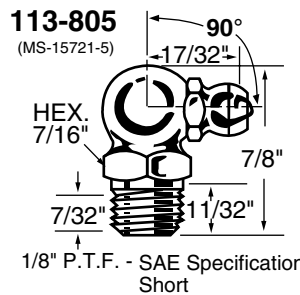
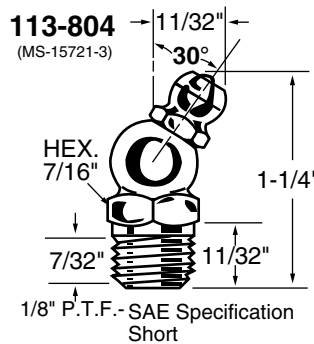
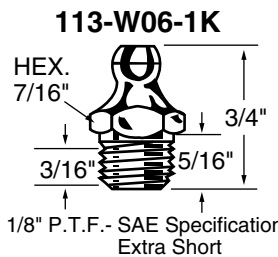
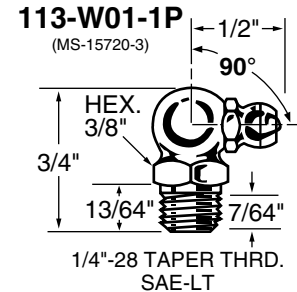
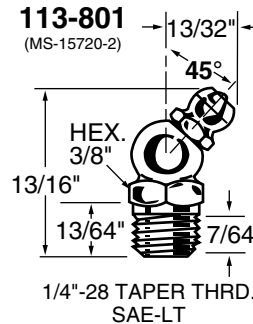
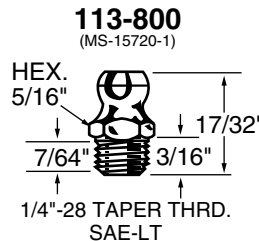
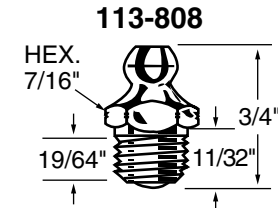
STAINLESS STEEL INCH Grease Fittings

PKG QTY. 10

Material: BODY - Type 303 Stainless Steel
 BALL - Type 404 Stainless Steel
 TEMPERED SPRING —
 Type 302 Stainless Steel

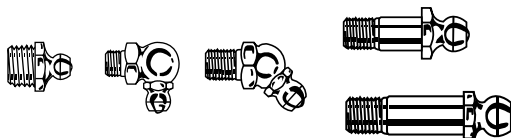
NOTE: SAE-LT - conforms to Society of Automotive Engineers Lubrication Thread Specifications.

ILLUSTRATIONS REPRESENT APPROXIMATE SIZE



INCH GREASE FITTINGS

Each Plastikitt is put up in a clear durable plastic container with hinged lid.
 Size: 1" x 2-3/4" x 4-1/2"



804-079

PLASTIKIT
 «PLASTIKIT» **804-079**

Stainless Steel
7 SIZES
19 GREASE FITTINGS

External Thread Size	External Thread Length	Spaenaur No.	Width Across Flats	Overall Length	Qty.	Page
1/4"-28	7/64"	113-800	5/16"	17/32"	3	H13
		113-W01-1P	3/8"	3/4"		
		113-801		13/16"		
		113-801		13/16"		
1/8"-27	3/16"	113-W06-1K	7/16"	3/4"	2	H13
		113-805		7/8"		
	7/32"	113-806		61/64"		
		113-804		1-1/4"		
		113-804		1-1/4"		

PLASTIKIT
 «PLASTIKIT» **A-55**

Steel - Zinc Plated
9 SIZES
52 GREASE FITTINGS

External Thread Size	Spaenaur No.	Width Across Flats	Overall Length	Qty.	Page
1/8"-28	GF-644	7/16"	9/16"	5	H12
	GF-610		11/16"	15	
	GF-612		27/32"	3	
	GF-613		27/32"	3	
	GF-688		57/64"	5	
	GF-611		29/32"	3	
1/4"-28	GF-641	5/16"	35/64"	12	H12
	113-W07-2W	0.354"	57/64"	3	
	GF-911	3/8"	3/4"		

CATALOG 14 SPAENAUR

Steel Grease Fittings / Cup Type

Inch and Metric

Embouts de graissage en acier / Type à coupelle

Pouce et Métrique

METRIC GREASE NIPPLES

STEEL
Zinc Plated

All Dimensions, except Dia. x Pitch, are nominal.

All Dimensions below in millimetres (except "R" threads).



H1
Straight



H1a
No Threads

SPAENAUR No.	THREAD Dia. x Pitch	WIDTH A/F	THREAD Length	Approx. O/A Lgth.
113-042	M6 x 0.75	7	5.5	15
113-001	M6 x 1.00	7	5.5	15
113-043	M7 x 1.00	9	6	17
113-044	M8 x 0.75	9	5.5	15
113-002	M8 x 1.00	9	5.5	15
113-014	M8 x 1.25	9	5.5	15
113-003	M10 x 1.00	11	5.5	15
113-013	M10 x 1.50	11	5.5	15
113-046	M12 x 1.50	14	6.0	17.5
113-035	R 1/8	11	5.5	15
113-049	R 1/4	14	6.5	19

SPAENAUR No.	THREAD Dia. x Pitch	WIDTH A/F	THREAD Length	Approx. O/A Lgth.
H1 LONG				
113-047	M6 x 1.00	7	5.5	29
H1a DRIVE TYPE with Collar (No Threads)				
SPAENAUR No.	Shank Dia.	Collar Dia.	THREAD Length	Approx. O/A Lgth.
113-064	6 mm	8 mm	5.5	15
113-065	8 mm	10 mm	5.5	15
113-038	10 mm	12 mm	5.5	15

H



H2
45°

SPAENAUR No.	THREAD Dia. x Pitch	WIDTH A/F	THREAD Length	Approx. O/A Lgth.
113-050	M6 x 0.75	9	5.5	20
113-004	M6 x 1.00	9	5.5	20
113-051	M7 x 1.00	9	5.5	25
113-036	M8 x 0.75	9	5.5	20
113-W03-1C	M8 x 1.00	9	5.5	20
113-052	M8 x 1.25	9	5.5	20
113-082	R 1/8	11	5.5	25
113-083	R 1/4	14	6.5	25

SPAENAUR No.	THREAD Dia. x Pitch	WIDTH A/F	THREAD Length	Approx. O/A Lgth.
113-006	M10 x 1.00	11	5.5	25
113-045	M10 x 1.25	11	5.5	20
113-053	M10 x 1.50	11	5.5	20
113-054	M12 x 1.50	14	6.5	24
113-055	R 1/8	11	5.5	25
113-056	R 1/4	14	7	23



H3
90°

SPAENAUR No.	THREAD Dia. x Pitch	WIDTH A/F	THREAD Length	Approx. O/A Lgth.
113-057	M6 x 0.75	9	5.5	18
113-007	M6 x 1.00	9	5.5	18
113-058	M7 x 1.00	9	5.5	18
113-059	M8 x 0.75	9	5.5	18
113-008	M8 x 1.00	9	5.5	18
113-060	M8 x 1.25	9	5.5	18

SPAENAUR No.	THREAD Dia. x Pitch	WIDTH A/F	THREAD Length	Approx. O/A Lgth.
113-009	M10 x 1.00	11	5.5	18
113-037	M10 x 1.50	11	5.5	18
113-061	M12 x 1.50	14	5.5	24
113-062	R 1/8	11	5.5	18
113-063	R 1/4	14	6.5	22

LUBRICATING NIPPLES - Cup Type

STEEL, Zinc Plated



D1
Straight



D1a

SPAENAUR No.	THREAD Dia. x Pitch	WIDTH A/F	SHANK Length	Approx. O/A Lgth.
113-039	M6 x 1.00	7	5.5	8.5
113-066	M8 x 1.00	9	6.5	9.5
113-040	M8 x 1.25	9	6.5	9.5
113-067	M10 x 1.00	11	6.5	9.5

SPAENAUR No.	THREAD Dia. x Pitch	WIDTH A/F	SHANK Length	Approx. O/A Lgth.
D1a DRIVE TYPE with Collar (No Threads)				
	Shank Dia.	Collar Dia.		
113-068	8 mm	10 mm	6.5	9.5

PKG QTY. 10 - ALL ITEMS THIS PAGE

H14

Inch and Metric

Steel Grease Fittings / Grease Gun & Components

Pouce et Métrique

Embouts de graissage en acier / pistolet à graisse et composants

Grease Nipples - Button Head

STEEL
Zinc Plated

All Dimensions, except Dia. x Pitch, are nominal.

All Dimensions below in millimetres (except "R" and N.P.T. threads).

PKG QTY. 10



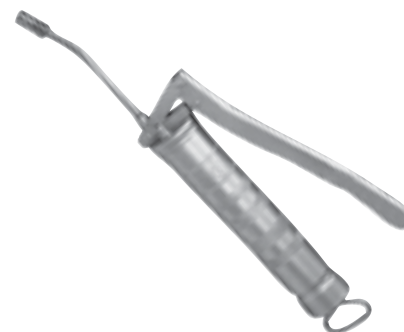
M1

SPAENAUR No.	THREAD Dia. x Pitch	HEAD Dia. A/F	THREAD Length	Approx. O/A Lgth.	SPAENAUR No.	THREAD Dia. x Pitch	HEAD Dia. A/F	THREAD Length	Approx. O/A Lgth.
113-026	M6 x 1.00	16 17	6.0	16.2	113-030	R 1/8	16 17	2.25	16.2
113-027	M8 x 1.00	16 17	5.7	17.5	113-031	R 3/8	16 17	3.50	18.5
113-028	M8 x 1.25	16 17	5.7	17.5	113-032	R 1/8 GAS	16 17	5.70	17.5
113-029	M10 x 1.00	16 17	5.7	17.5	113-041	1/4 N.P.T.	16.5 17	11	22

COUPLINGS for pipe extensions, armoured hoses and piston grease guns.

ILLUSTRATION	SPAENAUR No.	THREAD	DESCRIPTION	For use with Nipples
	113-078	M10 x 1	4 jaw hydraulic coupling	Type H DIN 71412
	113-W02-1Y	M10 x 1	pointed adaptor	Type D DIN 3405
	113-071 113-074	M9 x 1 M10 x 1	universal adaptor	Type K DIN 3402 Type H- DIN 71412
	113-075	M10 x 1	sliding coupling 16 mm Ø	Type M 1 DIN 3404
	113-069	M10 x 1	sliding coupling 22 mm Ø	Type 22 DIN 3404A
	113-076	M10 x 1	sliding coupling 10 mm Ø	Type 10
	113-077	M10 x 1	turning device for sliding couplings	

PKG QTY. 1



Hand Lever Grease Gun
with solid pipe extension

SPAENAUR No. 877-1241
PKG QTY. 1

Thread size M10 x 1.0
Capacity size 500 ccm



Flex-Hose Extension

High pressure rubber hose bursting pressure
(1,650 Bar / 23,900 psi)

SPAENAUR No. 877-1242 877-1243
PKG QTY. 1
M10 x 1.0 - 300 mm long
M10 x 1.0 - 500 mm long

ASSORTMENT 805-444

Metric Grease Nipples
Steel - Zinc Plated - Fine Thread

DIN 71412

12 SIZES - 120 PIECES

Comes in a REGULAR SIZE
grey enamelled STEEL
drawer which will fit Slide
Racks shown on page A2

Shipping Weight 2.54 kg (5.6 lbs.)



PLASTIKIT «PLASTIKIT» 804-078

METRIC DIN 71412

Grease Nipples
STEEL - Zinc Plated
11 SIZES - 77 PIECES
Styles H1, H2 and H3



For the complete assortment contents turn to A108