

Inch

# Multi-Purpose Locking Knobs / Locker Locks

Pouce

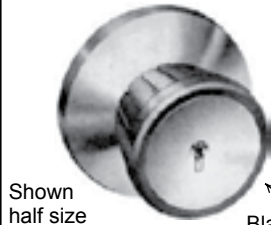
Boutons de verrouillage multi-usages / Serrures de casier

## D-1410 Series LOCKING KNOBS

For steel lockers, cupboards, office furniture, electrical cabinets and equipment panels.

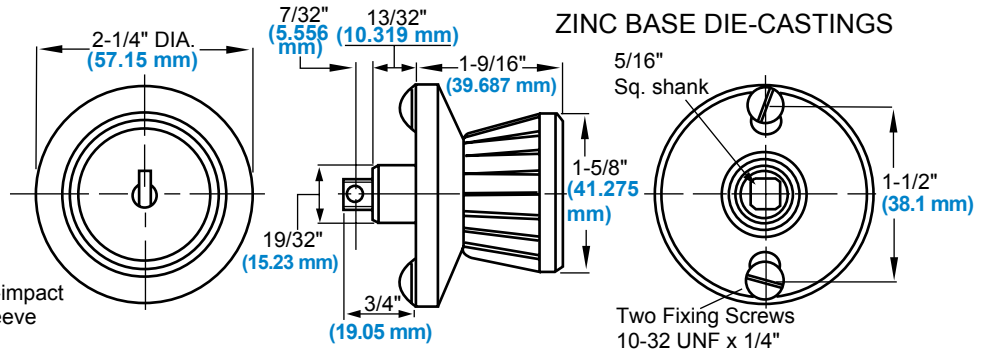
3-point locking mechanism (removable): a plated steel cam and bolt pick-up mechanism is supplied to enable espagnolette bolt action to be used. (Locking rods are not supplied.)

Satin Chrome Finish  
(Escutcheon & Knob)



Shown half size

Black high-impact Styrene sleeve



SPAENAUR No.	DESCRIPTION
<b>D-1410R</b>	Locking knob, with 2 keys, all to differ, for fixing to <b>right</b> edge of left door. Action 90° anti-clockwise to open.
<b>D-1410L</b>	Locking knob, with 2 keys, all to differ, for fixing to <b>left</b> edge of right door. Action 90° clockwise to open.
<b>D-1410RKA</b>	Locking knob, with 2 keys, all keyed alike, for fixing to <b>right</b> edge of left door. Action 90° anti-clockwise to open.
<b>D-1410LKA</b>	Locking knob, with 2 keys, all keyed alike, for fixing to <b>left</b> edge of right door. Action 90° clockwise to open.
<b>D-1410RMK</b>	Locking knob, master keyed, with 2 keys, all to differ, for fixing to <b>right</b> edge of left door. Action 90° anti-clockwise to open.
<b>D-1410LMK</b>	Locking knob, master keyed, with 2 keys, all to differ, for fixing <b>left</b> edge of right door. Action 90° clockwise to open.
<b>D-1410D</b>	Dummy fixed knob, non-operating, no spindle or locking mechanism. Acts as a door pull, or to give a balance to the operating knob.

Series 92

PKG QTY. 1

To order Master Keys and for Additional Data see page L2.

## D-1415 Series LOCKER LOCKS

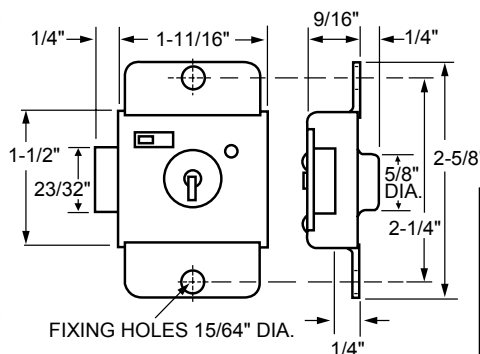
For use on metal and wooden lockers, cabinets, drawers, etc.

7-lever master keyed mechanism operating an extruded brass bolt. The lock bolt protrudes 1/4" when shot.

Die-cast cap and nozzle, with a plated steel back plate. The lock has a chromatised finish. Two nickel-plated steel keys are supplied with each lock. 1,800 key changes are available.



Also available keyed alike.



SPAENAUR No.	Description
<b>D-1415MK</b>	Locker lock, master keyed, with 2 keys, all to differ.
<b>D-1415KA</b>	Locker lock, master keyed, with 2 keys, all keyed alike.
Order Master Keys Separately.	
<b>D-1415KM</b>	Master key

PKG QTY. 1

CATALOG 14

SPAENAUR