

Flange Gaskets Recessed / Flush Mount Tee Handle

Joint de bride pour poignée en T encastrée / affleurante

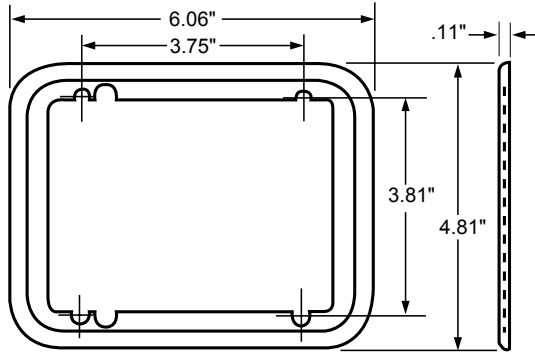


Inch
Pouce

Flange Gasket

SPAENAUR No. 099-414

Spacer for paddle lock series with standard 4-1/4" x 5-1/2" pans.



Material: Black Plastic

PKG QTY. 1

FLUSH-MOUNTED DROP "T" HANDLE

with Square Shank

SPAENAUR No. D-4020 (Mfr. #5630A)



Zinc Plated

Concealed stainless steel spring holds handle in folded position and prevents rattle. Shank offset to one side permits mounting lock close to edge of door.

Dimensions:

- 4-3/4" case outside length
- 3-3/4" case outside width
- 3/4" depth of receptacle
- 5/16" square handle shank
- 1-11/32" length square shank

PKG QTY. 1

Suggested cut-out 3-3/4" x 2-3/4"

Weight: 10 oz. each

FLUSH-MOUNTING RECESSED KEY-LOCKING FOLDING "T" HANDLE

with 5/16" Square Shank

SPAENAUR No.

D-4039

(Mfr. #4874)

Zinc Plated

Replacement key cylinder No. 099-035

One key furnished

PKG QTY. 1

Dimensions:

- 4-3/4" case outside length
- 4-7/8" case outside width
- 3/4" depth of receptacle

Other dimensions same as D-4020

Weight: 13 oz. each

Keyed to differ

Drawing for suggested cut-out available on request.



FLUSH-MOUNT RECESSED KEY-LOCKING FOLDING "T" HANDLE with Adjustable Cam

SPAENAUR No.

099-262

(Mfr. #8004)

Key-Locking

(One key furnished)

Finish:

Zinc Plated

PKG QTY. 1



SPAENAUR No.

099-138

(Mfr. #8000)

Non Key-Locking

PKG QTY. 1



Single-point lock with adjustable latch for varied door thicknesses; concealed stainless steel spring holds handle in folded position. Shank offset permits mounting lock close to edge of door. Suitable for use on either steel or wood doors. Installed by screws, rivets, or welding.

Dimensions:

- 4-3/4" case outside length
- 4-7/8" case outside width (099-138 - 3-3/4")
- 5/8" width of flanges
- 1-5/8" edge opposite key cylinder to centre handle shank
- 2-5/8" end of latch to centre of handle shank
- 2-1/2" thickness overall
- Weight: 1 lb. 5 oz. each (099-138 - 1lb. 1 oz.)

Replacement key cylinder

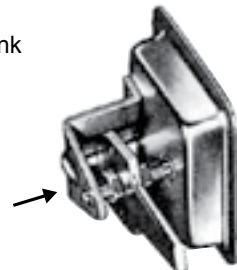
SPAENAUR No.

099-035

Rear view showing how latch grip dimension can be varied from 1-7/32" (min.) to 1-7/8" (max.) by adjusting hex nuts.

Right-hand action supplied. For left hand, disassemble and reverse latch, or order special production.

Drawing for suggested cut-out available on request.



NOTE
Drawings and dimensions on this page are for reference only. For manufacturing, production, or tooling purposes, obtain current engineering print from SPAENAUR.

Inch

Pouce



Rotary Slam Latch / Folding Tee Handle

Loquet à ressort rotatif / poignée en T pliante

Three methods of release.

Compact Rotary Slam Latch

SPAENAUR No. 099-153 (Mfr. #200)
STEEL - Electro Zinc Finish

SPAENAUR No. 099-B09-1C (Mfr. #200SS)
304 STAINLESS STEEL

Latch Pawls are Carbon Steel with black coating.

- Recommended for small hoods, lids, doors, or panels.
- Universal mounting.
- Easily mounted with two 1/4" bolts.
- Receives any 3/8" dia. striker.

● Suggested maximum load 100 lbs.

WARNING
This product must not be used for personal restraint applications.

Folding-T Handle with attached stamped steel escutcheon. A concealed stainless steel spring holds the zinc die-cast handle in the folded position.

5/16" square shank.
1-13/32" long

SPAENAUR No. 099-197
STEEL Zinc-plated
PKG QTY. 1

Weight: 0.4 lbs.

Mfr. # 4855-A

Rotary Paddle Lock (Slam Latch)

The new Key-locking rotary paddle lock was designed for a wide variety of applications requiring a durable means of positive latching, incorporating the industry standard paddle latch configuration with the positive latching features of our two-stage rotary.

SPAENAUR No. 099-194 STAINLESS STEEL Bright Polished
(Mfr. # 3-4373SS)

099-194 includes four 11/64" dia. mounting holes on 3-3/4" x 3-13/16" hole centres.

Non-Locking and Mounting Hole Versions are available.

PKG QTY. 1

Weight: 1.37 lbs.

Striker Pin .55/.54 Dia.

CATALOG 14 SPAENAUR