


Pull & Grab Handles

Inch

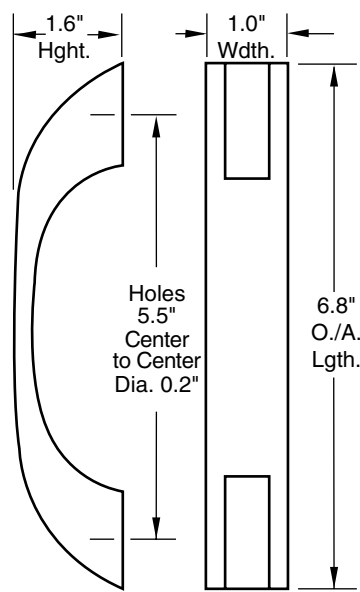
Poignées à tirer et à saisir

Pouce



Concealed Fix Grab Handles – moulded, in polypropylene with textured finish and integral “snap-shut” panels to conceal fixing holes.

<u>SPAENAUR No.</u>	<u>Colour</u>
099-170	Black



1.6" Hght.
1.0" Wdth.
6.8" O./A. Lgth.
Holes 5.5" Center to Center Dia. 0.2"

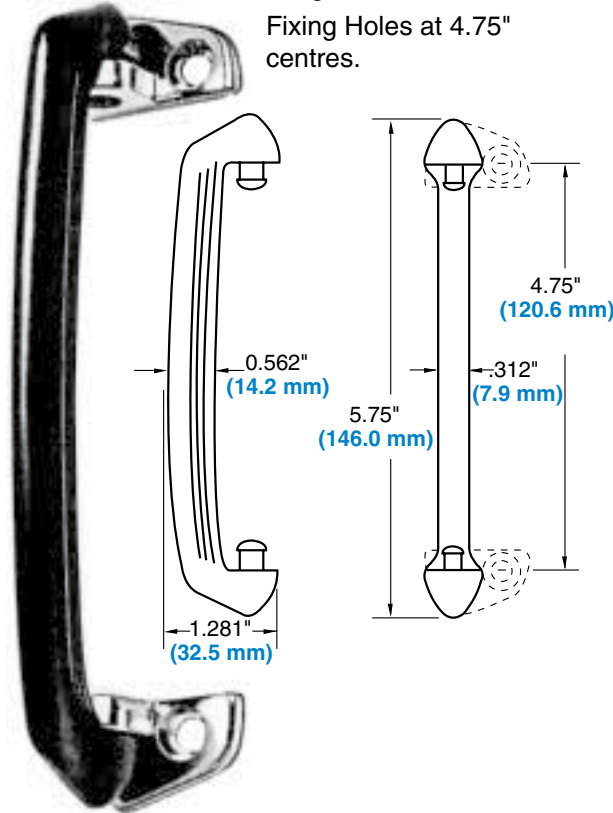
Note: Under proof test conditions, these handles withstood loads of over **250 kg** before serious deformation, across a temperature range of **-50°C to +50°C**.

PKG QTY. 1

SPAENAUR No. 099-187
Swivel-type Grab Handle

Black ABS moulded handle on chromium plated diecast brackets.

Length: 5.75"
Fixing Holes at 4.75" centres.



0.562" (14.2 mm)
1.281" (32.5 mm)
5.75" (146.0 mm)
4.75" (120.6 mm)
.312" (7.9 mm)

PKG QTY. 1



PULL HANDLES

SPAENAUR No. 099-B31-1X

STEEL - Zinc Plated



Overall Length: 4.688"

Overall Height: 1.406"

Depth Under Handle: 1.04"

Holes (Center to Center): 4.06"

Dia. of Holes: .213"

PKG QTY. 10

Slip-On Type SL5 Receptacle

SPAENAUR No. 110-158

Steel, Zinc Plated



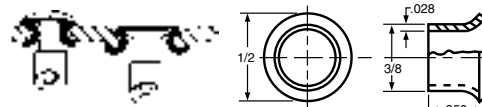
For support panel thicknesses: .036/.128".
Other panel ranges available.
Call for Quotation and Min. Quantities.

PKG QTY. 10

Full Grommet - Aluminum

DZUS Type GA5-350

SPAENAUR No. 110-157



PKG QTY. 10

For Panel .063/.094"

Prevent panel hole wear, protect panel finish, reduce stud play.


See page L152 for DZUS Quarter Turn Fastener Spaenaaur No. 110-156

Inch

Pull & Grab Handles

Pouce

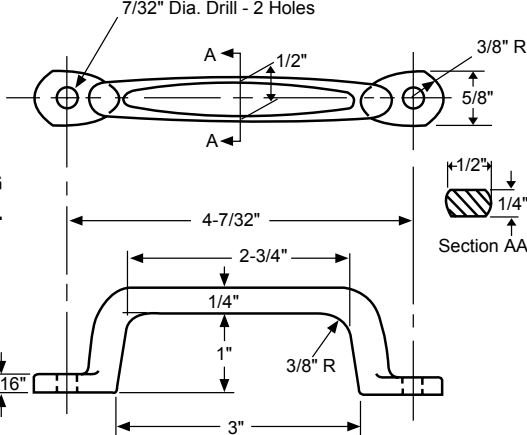
Poignées à tirer et à saisir




GRAB HANDLE
SPAENAUR No. 099-253

Overall Length: 5" Holes (Center to Center): 4-7/32"
Formed Steel - Zinc Plated

7/32" Dia. Drill - 2 Holes



PKG QTY. 10

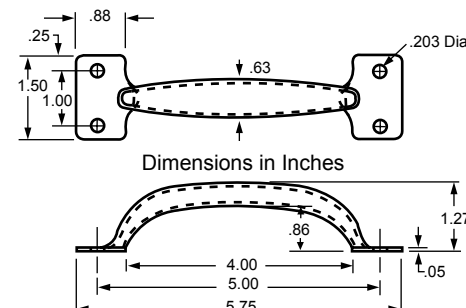


Formed Steel Handles
Overall Size: 1-1/2" x 5-3/4"

Weld On Type
Spaenaur No. **099-195**
Plain Finish

Mounting Hole Type
Spaenaur No. **099-205**
Zinc Finish


(Weld On) No Holes. (4) 13/64" dia. mounting



Dimensions in Inches

PKG QTY. 1

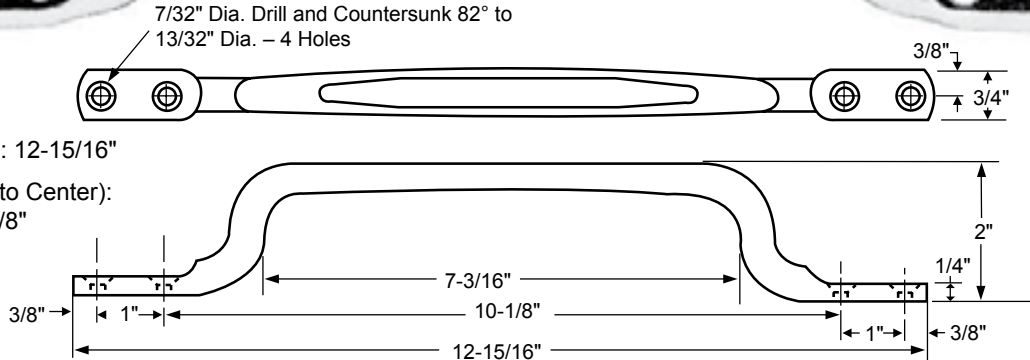
Weight: .13 lbs.



BODY GRAB HANDLE

SPAENAUR No. 099-B29-1X
Plain Steel Finish
PKG QTY. 1

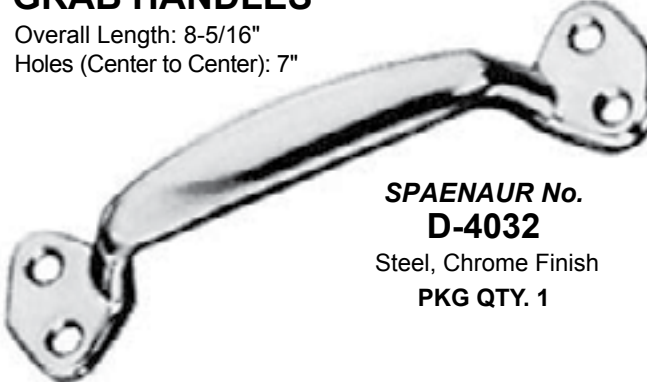
7/32" Dia. Drill and Countersunk 82° to 13/32" Dia. - 4 Holes



Overall Length: 12-15/16"
Holes (Center to Center): 10-1/8" & 12-1/8"

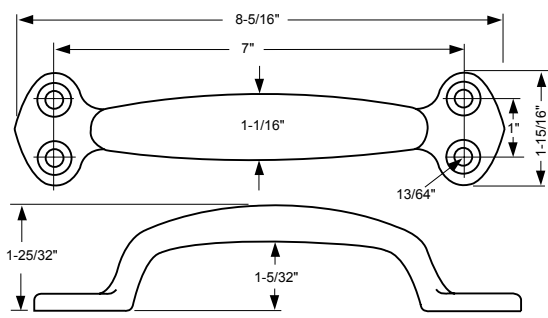
GRAB HANDLES

Overall Length: 8-5/16"
Holes (Center to Center): 7"



SPAENAUR No. D-4032
Steel, Chrome Finish
PKG QTY. 1

A heavy-duty, ruggedly constructed handle for commercial, industrial and marine use. Generally used wherever heavy lifting or pulling are a necessity.



CATALOG 14 SPAENAUR