

Tamper Resistant Nuts / Bits & Tools

Inch

Écrous inviolables / Embouts et outils

Pouce

“Tampruf™” Nuts

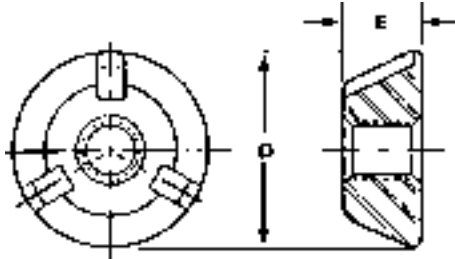
See Page B103
for
“TAMPRUF™”
SCREWS

Case-hardened STEEL - Cad. or Zinc Plated - our option



BIT
PKG QTY. 1

NUT



SPAENAUR No.	Thread Size	Max. Dia. "D"	Nominal Hght. "E"	Unit Pkg.	Takes Bit No.	Driver Handle No.
—	—	—	—	—	—	876-536
226-302	10-24	.661"	.250"	100	876-543	Use 3/8" Square Socket Wrench
226-303	10-32		100			
226-304	1/4"-20		100			
226-305	5/16"-18	.864"	.345"	100	876-545	
226-306	3/8"-16		100			

PKG QTY. 1

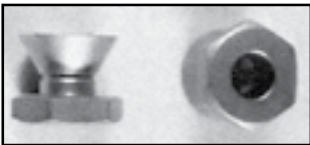


No. 876-536 DRIVER HANDLE ONLY (without Bit)

Break Away Nuts

Aluminum 2024-4 Alloy

Head Shears Off



SPAENAUR No.	Thread Size	PKG QTY.
226-352	10-24 UNC	50
226-353	1/4"-20 UNC	50
226-354	5/16"-18 UNC	50
226-355	3/8"-16 UNC	25
*226-356	1/2"-13 UNC	25

*Zinc Die Cast Finish

PKG QTY. 1



Spaenaur No.
876-824

Wrench Tool for Tamper Proof Nuts

Tamper Proof Nuts

Aluminum

SPAENAUR No.	Thread Size	Max. Dia.	Nominal Height	PKG QTY.
226-350	10-24 UNC	.500"	.188"	100
226-351	1/4"-20 UNC	.500"	.188"	100

SPANNER NUT

Zinc Alloy Casting

Outside Dia. 1"
Thickness 1/4"



Spaenaur No.	Spaenaur No.	Spaenaur No.
226-010	226-011	226-012
1/4"-20	5/16"-18	3/8"-16
Thread Size	Thread Size	Thread Size

PKG QTY. 10 - Any one Number

SPANNER NUT INSERT BIT

Alloy Steel
Plain



SPAENAUR No. 876-836

Will install all Spanner Nuts shown at left.
Bit size 1-1/2" long x 1/4" Across Flat.

PKG QTY. 1

SPANNER NUT DRIVER TOOL

will fit all Spanner Nuts listed above.

SPAENAUR No. 876-997



PKG QTY. 1

(Shaft not hollow.)

WARNING: “Spanner” Nut Drivers and Insert Bits are **NOT GUARANTEED** against breakage or wear because of their extremely hard points.

Inch
Pouce

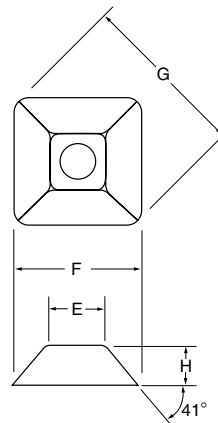
TUFNUT®

Tamper Resistant Nuts
Écrous inviolables



TUFNUT®
STEEL SECURITY NUTS
are fastened easily
with regular tools.

They can be installed
as tightly as desired
but are removable
for maintenance.



TUFNUT® THEFT-RESISTANT NUTS
Material: C1010 COLD ROLLED STEEL
Hardness: .003" - .008"
Plating: .0002"- .0005" Chloride Zinc with Yellow Chromate

SPAENAUR No.	Thread Size	E	F	G	H
226-031	1/4"-20	0.490"	1.000"	1.310"	0.260"
226-032	5/16"-18	0.490"	1.000"	1.310"	0.260"
226-033	3/8"-16	0.490"	1.000"	1.310"	0.260"
*226-034	1/2"-13 (Hex)	0.700"	1.225"	1.360"	0.300"

CARRIAGE BOLTS ARE RECOMMENDED for use with Tufnut security hardware in all situations where the square neck is not a problem. The round head is difficult to grasp, while the square neck prevents the bolt from turning.

*226-034



See pages B258 to B260 for Standard Carriage Bolts.
Can use with Security Fasteners on pages B103-B113.



381-092 5/16"-18 x 2-1/2"

381-093 5/16"- 18 x 3"

TUFBOLT SECURITY BOLTS are carriage bolts without a square neck beneath the head. They are useful for metal-to-metal fastenings where the square neck of a regular carriage bolt won't fit into a drilled hole. On a sign installation, the Tufbolt does not damage the bond between the reflective sheeting and the substrate.

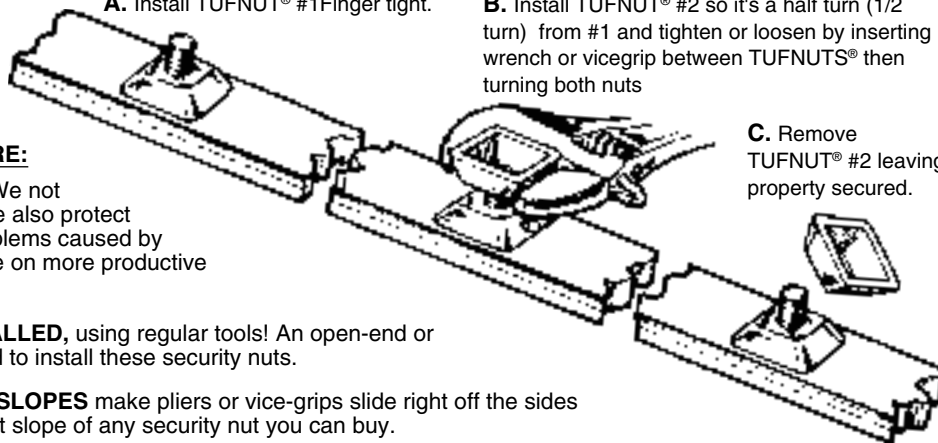
HERE'S HOW TUFNUT™ STEEL SECURITY NUTS WORK...

Tufnut security nuts should be used with a standard **CARRIAGE BOLT**, or our special round headed **TUFBOLT™** security bolt, which can be used on drilled metal surfaces.

A. Install TUFNUT® #1 Finger tight.

B. Install TUFNUT® #2 so it's a half turn (1/2 turn) from #1 and tighten or loosen by inserting wrench or vicegrip between TUFNUTS® then turning both nuts

C. Remove TUFNUT® #2 leaving property secured.



TUFNUT SECURITY HARDWARE:

SOLVES THEFT PROBLEMS. We not only protect your property, but we also protect your time. By preventing the problems caused by theft, you are free to concentrate on more productive projects.

THE TUFNUT IS EASILY-INSTALLED, using regular tools! An open-end or adjustable wrench is all you need to install these security nuts.

OUR CASE-HARDENED FLAT SLOPES make pliers or vice-grips slide right off the sides of the Tufnut. We offer the flattest slope of any security nut you can buy.

TUFNUTS ARE FULLY ADJUSTABLE, giving you complete control over how tightly your property is installed.

TUFNUTS ARE REUSABLE which means you don't need to replace them whenever you do maintenance.

TUFNUTS® work well with U-Channel and Square post applications, also security fastening of lag screw applications.



- Secures
- Traffic Signs
- Fencing
- Outdoor Property and Outdoor Lighting
- Solar Collectors
- Electronic Controls
- Office Equipment

CATALOG 14 SPAENAUR

PKG QTY. 25 - All items on this page