

Inch

Hasp / Handle & Spring Latch

Pouce

Morillon / loquets à poignée et ressort

EBERHARD
HARDWARE MANUFACTURING LTD.

HASP LATCH


Padlock Type **SPAENAUR No. D-4040**
(Mfr. #4853)

For doors up to 3/8" thick.
Staple has stud for riveting.

1-7/16" length inside latch
4-1/4" length hasp
9 oz. weight each

Plain Finish

PKG QTY. 1



EBERHARD
HARDWARE MANUFACTURING LTD.

Malleable Iron
LOCK KEY


SPAENAUR No. D-3228-ZP

Zinc Plated

Dimensions:

2-1/2" length handle
3-21/32" overall length
1-1/8" length square
1/4" to 3/8" tapered square
3 oz. weight each


PKG QTY. 1



Box-Rod
HANDLE NUTS

Malleable Iron — Self Coloured

PKG QTY. 10



SPAENAUR No.	Thread Size	Length	Width of Flange
226-000	1/4" - 20	3-3/4"	15/16"
226-001	5/16" - 18	3-3/4"	15/16"
226-002	3/8" - 16	4-1/4"	15/16"
226-003	7/16" - 14	4-1/4"	15/16"
226-004	1/2" - 13	4-1/2"	1-1/4"
226-005	5/8" - 11	4-3/4"	1-1/4"
226-006	3/4" - 10	4-3/4"	1-1/4"

EBERHARD
HARDWARE MANUFACTURING LTD.

DOOR HOLD-BACK AND HANDLE

Designed for truck, trailer, and containing applications, but can be used to hold any large, swing-type door securely in open position. Hook generally mounted on permanent surface, handle and eye mounted on swinging door.

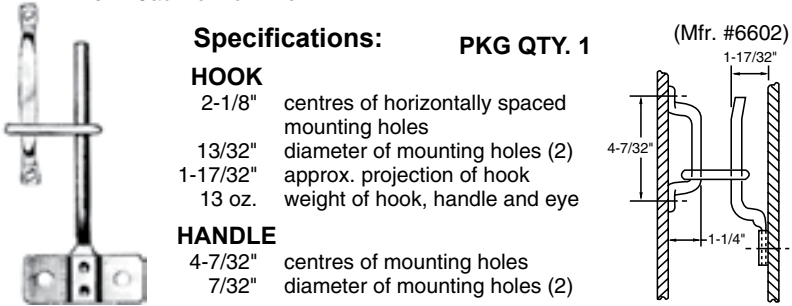
SPAENAUR No. 099-277
Complete Set Hook, Handle & Eye
Finish - Cadmium or Zinc

Specifications: **PKG QTY. 1**

HOOK
2-1/8" centres of horizontally spaced mounting holes
13/32" diameter of mounting holes (2)
1-17/32" approx. projection of hook
13 oz. weight of hook, handle and eye

HANDLE
4-7/32" centres of mounting holes
7/32" diameter of mounting holes (2)

(Mfr. #6602)



EBERHARD
HARDWARE MANUFACTURING LTD.

SPRING LATCH (Plain Finish)

(Mfr. # 5697)



Spaenaur No.	Width	Length of Spring	Weight
099-283	3/4"	8-7/8"	5 oz.
099-B08-1Y Zinc Plated	3/4"	8-7/8"	4 oz.

EBERHARD
HARDWARE MANUFACTURING LTD.

HEAVY-DUTY LATCH

Cast Iron - Plain or Zinc Plated (our option)

A substantial latch for heavy-duty use on doors, end gates, latches, etc. Simple to attach.

SPAENAUR No. D-3224R (Right)
SPAENAUR No. D-3224L (Left)
(Mfr. #5809)

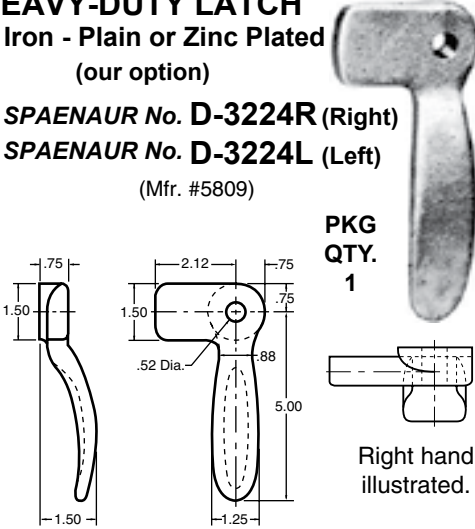
Dimensions:

5" c. to end of handle
2-1/8" length of lock tongue
1-1/2" dia. pivot boss
3/4" thick pivot boss
33/64" dia. hole for 1/2" dia. pivot bolt
1-1/2" total projection
1-1/4 lb. weight each


Specify right or left-hand when ordering.

PKG QTY. 1

Right hand illustrated.



Use on simple hinged panels where ready access, minimum fastening and speedy action are required.



PKG QTY. 1

CATALOG 14 SPAENAUR