

# Rod Actuated Slam Latch

## Loquet à ressort actionné par tige



Inch

Pouce

### 2-Point Rod Actuated



#### 099-247

(Zinc Plated)

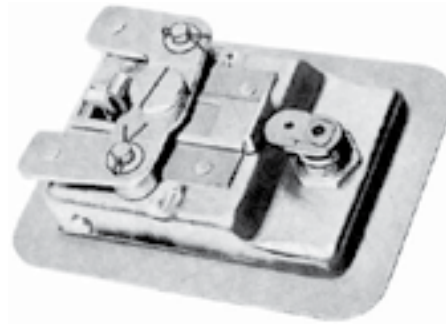
Rod Actuated  
Key-Locking

(Shown)

Keyed Alike  
with one key

Weight

3 lbs. 1 oz. each



Rear View

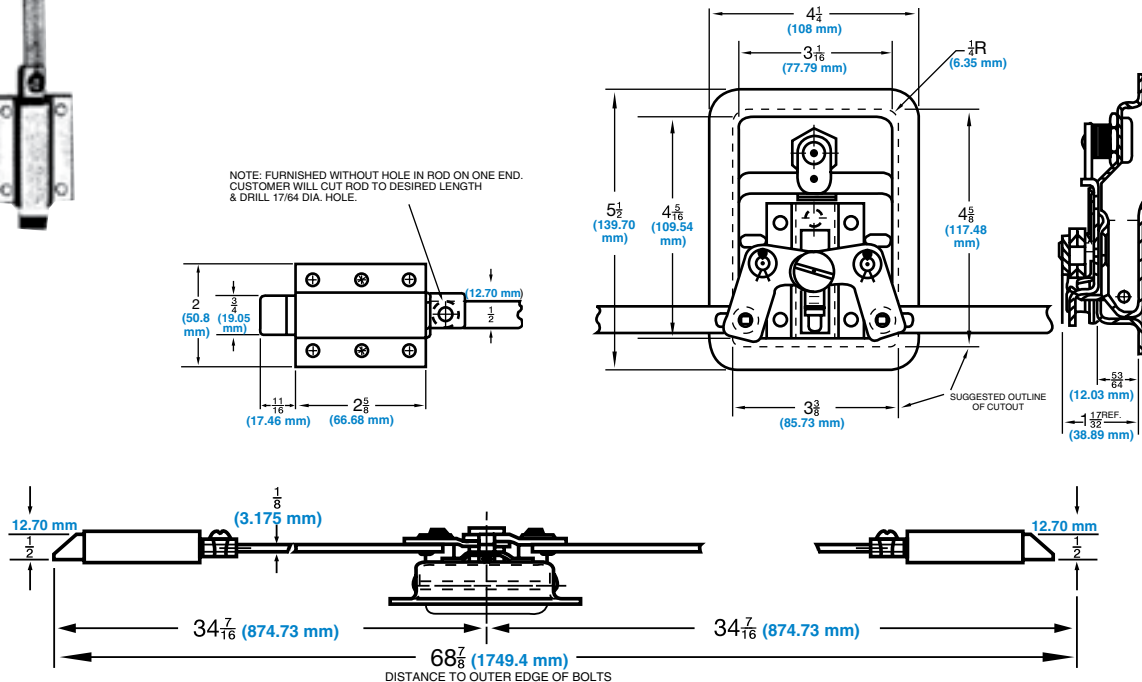
This smooth-acting, slam-type latch is intended for use on all types of compartment doors on farm equipment enclosures, stationary equipment, and machine tool cabinets.

The recessed pan permits flush installation; simply cut an appropriate hole and attach by screws, bolts, or welding. This latch is especially suited for installation in tight quarters because the overall thickness is only 1-9/16".

SPAENAUR No.	Description	Mfr. #
099-247	Rod Control Lock, Key-Locking, Keyed Alike	4972-X
099-B17-1X	Key Cylinder only, Keyed Alike, with one key	4901-51

PKG QTY. 1

NOTE: FURNISHED WITHOUT HOLE IN ROD ON ONE END. CUSTOMER WILL CUT ROD TO DESIRED LENGTH & DRILL 17/64 DIA. HOLE.



L

CATALOG 14

SPAENAUR

Inch

Pouce



**Compartment Dead Bolt Latch**

**Loquet de compartiment à pêne dormant**

**(2 and 3 Point) with Folding "T" Handles**

Replacement Key Cylinder  
**Spaenaur No. 099-035**  
 (Mfr. #15621)

**Spaenaur No. D-4062**  
 (Mfr. #4875)

Zinc Plated Steel  
**3 Point Key-Locking**  
 (Shown)

**PKG QTY. 1**

This improved dead-bolt latch for compartment or cabinet doors has a folding handle with a concealed Stainless Steel spring which holds handle in folded position.

The shank is offset for mounting the latch close to edge of door.

Both the 2 point and 3 point key-locking versions are delivered with cylinders attached and one key furnished. The key actuates the bolt, which slides into the notch in the circular plate. (See illustration on this page.)

After opening the door, the key can be turned to the locked position. Then when the door is closed and the handle is again turned, the locking bolt will drop automatically into the locked position.

The centre case is installed in a simple cut-out (near the edge of door, if desired) and attached by bolts, screws, or welding.

**Spaenaur No. D-4021**  
 (Mfr. #4857)

**2 Point Non Key-Locking**  
 (Shown)

Zinc Plated STEEL

**PKG QTY. 1**



**Spaenaur No. D-4065**  
 (Mfr. #4876)

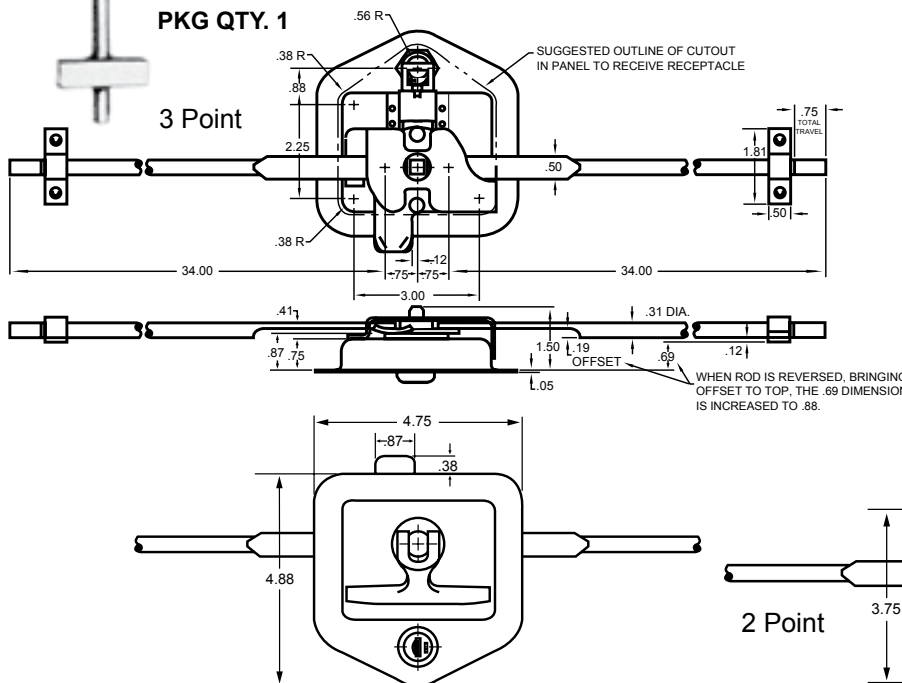
**2 Point Key-Locking**

Weight:  
 2 lbs. 9 oz. each  
 Zinc Plated STEEL

**PKG QTY. 1**

The rods are attached or detached with unusual ease as shown here. With the centre bolt in the unlocked position, the rods are slipped over the formed projections, turned at right angles and the rod guides are attached.

Latch does not have to be accurately centered for locking. After key is turned to lock position, spring loaded lock slide will seat automatically when the handle is turned to secure latch.



CATALOG 14 SPAENAUR

**Compartment / Rear Door Dead Bolt Locks**

**Serrures à pêne dormant de compartiment / porte arrière**



Inch

Pouce

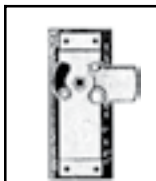
**Dead Bolt**

**COMPARTMENT DOOR LOCKS**

**Dimensions:** Easily installed on Metal or Wood Doors  
 6-1/4" length of centre case  
 2-1/4" width of centre case  
 1-5/16" thickness of centre case (Including rod pins)  
 9/32" diameter mounting holes in centre case  
 5/16" square hole for handle  
 2-1/4" centre of handle hole to end of centre latch on No. 5647 only  
 1-3/4" x 2-1/4" rod guides  
 13/64" diameter mounting holes in rod guides  
 3/8" diameter of rods  
 97-1/4" overall length of lock ( rod end to rod end)  
 48-5/8" centre of handle hole to rod end (upper or lower)

**Zinc Finish**

**Weight:** **D-4022ZP** 3 lbs., 13 oz. each  
**D-4049** 4 lbs., 2 oz. each

<p><b>Spaenaur No. D-4022ZP</b>                  (Mfr. #5646U-25)                  Zinc Plated                  Two-point lock with flat steel anti-rattle spring in rod guides.</p>		<p><b>Spaenaur No. D-4049</b>                  (Mfr. #5647)                  Zinc Plated                  Three-point lock with flat steel anti-rattle springs in rod guides.</p>
--	---	---

**PKG QTY. 1**

**Slam Action Medium Duty DOOR LOCK**

**Steel, Plain Finish**

**Spaenaur No. D-3203LA** Upper Bolt (Flush Type).

**Dimensions:**  
 2" width of slide bolt cases  
 2-5/8" length of slide bolt cases  
 3/4" width of slide bolts  
 11/16" projection of slide bolts  
 2" width of centre case  
 3-3/8" length of centre case  
 5/16" square hole for handle

(Right-hand shown)

(Rods Not available)

**PKG QTY. 1**

*All screw holes in flanges for # 10 screws.*

**LIGHT-DUTY Dead Bolt LOCK**

**Spaenaur No. D-3242R** Right  
**D-3242L** Left  
 (Mfr. #5611 R & L)  
 (Right-hand shown)

Three-point lock.  
 For metal or wood doors.  
 All-steel construction. Easily attachable by means of screws, bolts, rivets or welding.  
 Simplified construction.  
 Rods attachable or removable without tools. Simply place over pins in a horizontal position - turn to vertical positions and attach rod guides.

**Zinc or Plain Finish Our Option.**

**Dimensions:**  
 4-1/4" length centre case  
 2" width centre case  
 27/64" thickness centre case  
 5/16" square hole for handle  
 1-3/4" centre handle to end of centre latch  
 1/2" x 1-13/16" rod guides  
 5/16" rod guide diameter  
 34-3/4" length centre of handle hole over end of rod

**Weight:** 2 lbs. each

**PKG QTY. 1**

**Universal Cam Type REAR DOOR LOCK**

**Spaenaur No. D-4033**  
 (Mfr. #2-5654X)  
**PKG QTY. 1**

13/32" DIA. 6 MOUNTING HOLES

3/4" STANDARD PIPE NOT FURNISHED

with narrow 1-1/4" wide keepers for use with the narrow headers and sills of many modern designs.

7/16" SQ. — 2 MOUNTING HOLES

7/16" DIA. C' SUNK 82 TO 3/4" DIA. 4 MOUNTING HOLES

NOTE SPECIAL NARROW WIDTH KEEPERS

1-1/4" 5/8" 1-13/16"

19/32" 3" 1-3/4" 3-1/8" 4-1/2"

1-1/4" 1/2" SQ. PADLOCK EYE

STEEL Zinc Plated

RIGHT HAND INSTALLATION SHOWN

6" 7/8"

**Weight - 11-1/2 lbs.**

CATALOG 14 SPAENAUR

Inch

Pouce



**Cam Type Rear Door Locks**

Serrures de porte arrière de type à came

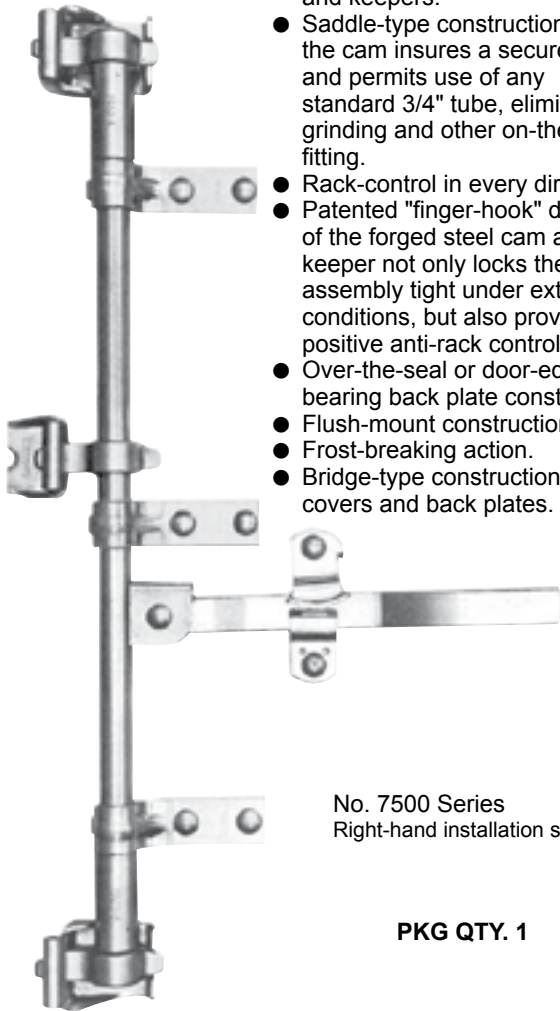
**"7500 Series" Cam Type Rear Door Locks**

**Recommended uses:**

For all van bodies, trailers, refrigerated equipment and all types of gasketed doors.

**Features:**

- Wedge-type, anti-rack cams and keepers.
- Saddle-type construction of the cam insures a secure weld and permits use of any standard 3/4" tube, eliminating grinding and other on-the-job fitting.
- Rack-control in every direction.
- Patented "finger-hook" design of the forged steel cam and keeper not only locks the assembly tight under extreme conditions, but also provides positive anti-rack control.
- Over-the-seal or door-edge bearing back plate construction.
- Flush-mount construction.
- Frost-breaking action.
- Bridge-type construction bearing covers and back plates.

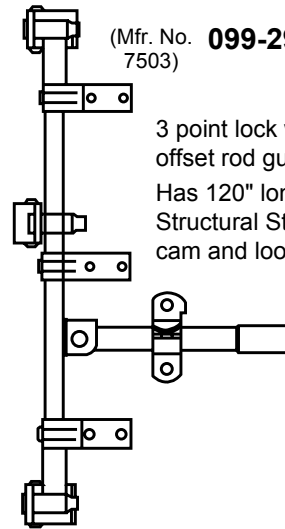


No. 7500 Series  
Right-hand installation shown.

**PKG QTY. 1**

**Specifications:**

- Solid steel forged cams and keepers.
- 13/32" diameter mounting holes.
- 1/2" diameter padlock or seal eye.
- Stamped steel handle, seal plate and seal pin.



(Mfr. No. **099-296** Right-Hand as illustrated  
7503)

3 point lock with stamped steel keepers and offset rod guides.

Has 120" long rod of 3/4" (1.050" O.D.) Structural Steel tubing, with welded-on lower cam and loose upper and centre cams.

10 foot rod is easily cut to required length.

**Zinc Plated**

**PKG QTY. 1**

**For use with "7500 Series" Cam Type Rear Door Locks**

These fittings give greater scope in meeting varying installation conditions.

**EBERGUARD FINISH OR ZINC PLATED**

**099-301 (Right) Shown  
099-302 (Left)  
Malleable Iron Keeper**



1-1/4" high  
(Mfr. #2-5654-1 LT or RT)

**099-298  
Stamped Steel Keeper**



2-5/8" high  
(Mfr. #7502-1)

**099-303  
Malleable Iron Keeper**



1-7/8" high  
(Mfr. #5654-1)

**099-299  
Third-Point,  
Stamped Steel Keeper**



2-5/8" high  
(Mfr. #7503-1)

**PKG QTY. 1**

**Safety Release Refrigerator Door Lock**

**099-291  
(Mfr. #1972)**

**Zinc Plated  
PKG QTY. 1**



Recommended for use on all refrigeration trucks, vans and trailer bodies where the inside release is required for safety.

Do not use on doors with more than one lock.

- 7/8" diameter seamless tubing.
- Weight: 2 lbs. 8 ozs. each.

Can be used with any "7500" lock system. Specify locking system when ordering.



# Cam Type Side & Rear Door Locks

Serrures de portes arrière et latérales de type à came



Inch  
Pouce

Enlarged sectional view showing installation of cam, cam bearing and keeper.

## CAM TYPE LOCK WITH RECESSED HANDLE

For Side and Rear Doors

**SPAENAUR No. D-3222**

(Mfr. #5660)

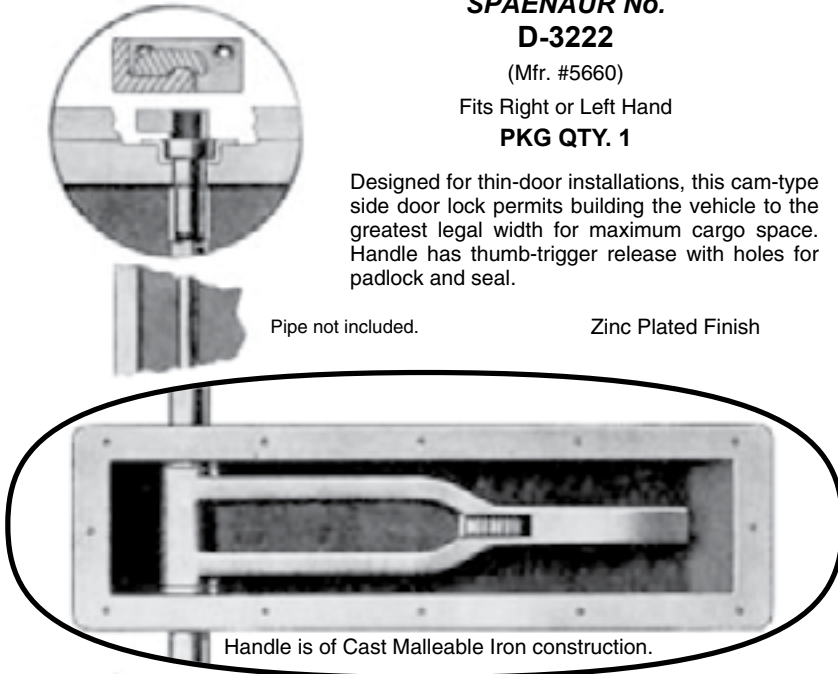
Fits Right or Left Hand

**PKG QTY. 1**

Designed for thin-door installations, this cam-type side door lock permits building the vehicle to the greatest legal width for maximum cargo space. Handle has thumb-trigger release with holes for padlock and seal.

Pipe not included.

Zinc Plated Finish



Handle is of Cast Malleable Iron construction.



Enlarged View of Door Frame Channel Section

**NOTE:** This lock cannot be installed in a door with less than 1-1/2" space between door channel sides.

**FEATURES:**

- Steel-forged cams.
- Designed for 3/4" standard pipe (1.050" O.D.)
- Cast-malleable handle and thumb release.
- Stainless steel thumb release spring.
- 1/2" dia. seal eye in thumb release.
- Steel-stamped recessed pan.
- 5-1/8" O/A width of recessed pan.
- 18-1/4" O/A length of recessed pan.
- One handle return spring supplied with each kit.

## PADDLE HANDLE RECESSED DOOR LOCK

With end-latching slide bolts equipped with stainless steel springs. *Slam Action for Utility and Tank Bodies* recommended for 3/4" maximum door thickness.

**SPAENAUR No. D-3203LA**

Bolt only as shown.

Rods furnished for maximum overall length of Lock Assembly of 69-3/8".



(Right-hand shown)

**Plain Finish**

**PKG QTY. 1**

- 5-1/4" length of receptacle
- 5" width of receptacle
- 7/16" width of receptacle flanges
- 2" width of end slide bolt cases
- 2-5/8" length of end slide bolt cases
- 3/4" width of end slide bolts
- 11/16" projection of end slide bolts
- 3-3/4 lbs. weight each

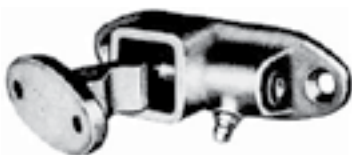
Two Point (Key-Locking).  
Right and Left-hand.  
Illustration shows Right-hand.



**EBERHARD**  
HARDWARE MANUFACTURING LTD.

For Eberhard® Door Hold-Backs  
see page L65

Eberhard offers a variety of holdbacks for your specific applications such as: wire from, rubber, chain, spring loaded, or plastic. Each option offers its own benefit from corrosion protection to tolerance issues. These are great options to keep you door or lid in the open position when needed.



**5602 Series**



**666 / 776 / 777 / 778 Series**



**555 Series**