

Inch

Pouce



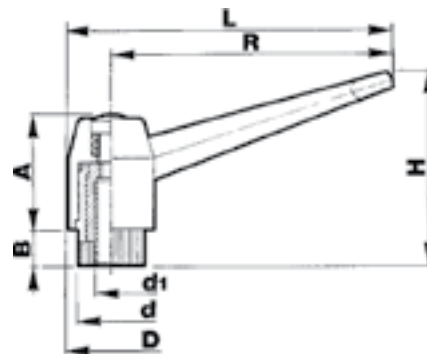
Clamping Levers - Indexed Adjustment

Leviers de serrage – réglage avec repère

Attaching screws supplied slotted or hex socket drive at mfr's. option.

INDEXED CLAMPING LEVER

Female (with Metal Insert)



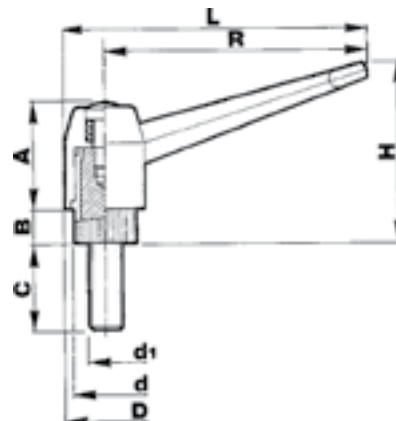
SPAENAUR No.

	R	L	H	D	A	d	B	d1
135-081	1.69	2.05	1.38	0.71	0.79	0.47	0.24	1/4-20
135-082	2.56	3.03	1.81	0.91	1.06	0.59	0.32	1/4-20
135-083	2.56	3.03	1.81	0.91	1.06	0.59	0.32	5/16-18
135-084	3.27	3.82	2.25	1.10	1.30	0.75	0.39	5/16-18
135-085	3.27	3.82	2.25	1.10	1.30	0.75	0.39	3/8-16
135-W21-1W	4.10	4.73	2.76	1.30	1.54	0.95	0.43	3/8-16
135-206	4.10	4.73	2.76	1.30	1.54	0.95	0.43	1/2-13

Thermoplastic Material

INDEXED CLAMPING LEVER

Male



SPAENAUR No.

	R	L	H	D	A	d	B	d1	C
135-W49-1P	1.69	2.05	1.38	0.71	0.79	0.47	0.24	1/4-20	0.75
135-088	1.69	2.05	1.38	0.71	0.79	0.47	0.24	1/4-20	1.00
135-W50-1A	1.69	2.05	1.38	0.71	0.79	0.47	0.24	1/4-20	1.25
135-209	2.56	3.03	1.81	0.91	1.06	0.59	0.32	1/4-20	0.75
135-208	2.56	3.03	1.81	0.91	1.06	0.59	0.32	1/4-20	1.00
135-207	2.56	3.03	1.81	0.91	1.06	0.59	0.32	1/4-20	1.25
135-090	2.56	3.03	1.81	0.91	1.06	0.59	0.32	5/16-18	0.75
135-091	2.56	3.03	1.81	0.91	1.06	0.59	0.32	5/16-18	1.00
135-092	2.56	3.03	1.81	0.91	1.06	0.59	0.32	5/16-18	1.25
135-211	3.27	3.82	2.25	1.10	1.30	0.75	0.39	5/16-18	1.00
135-212	3.27	3.82	2.25	1.10	1.30	0.75	0.39	5/16-18	1.25
135-W22-1M	3.27	3.82	2.25	1.10	1.30	0.75	0.39	3/8-16	0.75
135-094	3.27	3.82	2.25	1.10	1.30	0.75	0.39	3/8-16	1.00
135-095	3.27	3.82	2.25	1.10	1.30	0.75	0.39	3/8-16	1.25

Thermoplastic Material

CATALOG 14

SPAENAUR

ALL ITEMS ON THIS PAGE - PKG QTY. 1

Clamping Levers - Push Button Adjustment

Leviers de serrage – réglage avec bouton-poussoir



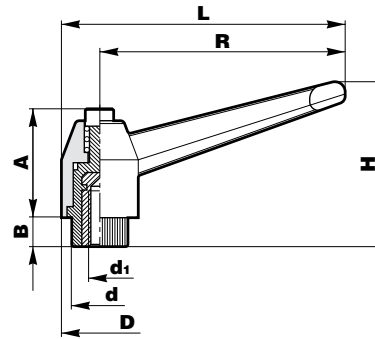
Inch

Pouce

A tolerance of $\pm 0.125"$ is possible on Boteco non-critical measurements.

CLAMPING LEVER

Push Button (Metal Insert)



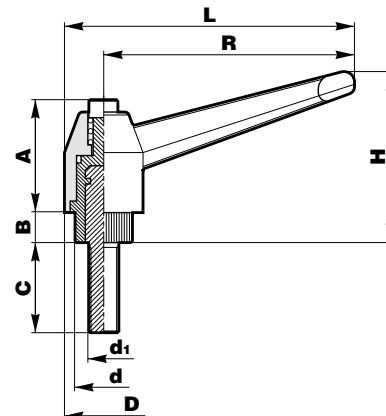
SPAENAUR No.	R	L	H	D	A	d	B	d1
135-096	1.69	2.05	1.38	0.71	0.79	0.47	0.24	1/4-20
135-215	2.56	3.03	1.81	0.91	1.06	0.59	0.32	1/4-20
135-W35-1X	2.56	3.03	1.81	0.91	1.06	0.59	0.32	5/16-18
135-W51-1P	3.27	3.82	2.25	1.10	1.30	0.75	0.39	5/16-18
135-216	3.27	3.82	2.25	1.10	1.30	0.75	0.39	3/8-16
135-217	4.10	4.73	2.76	1.30	1.54	0.95	0.43	3/8-16
135-W83-1W	4.10	4.73	2.76	1.30	1.54	0.95	0.43	1/2-13

Black Thermoplastic Material

J

CLAMPING LEVER

Push Button (Male Thread) with zinc plated steel stud.



SPAENAUR No.	R	L	H	D	A	d	B	C	d1
135-100	1.69	2.05	1.38	0.71	0.79	0.47	0.24	0.75	1/4-20
135-101	1.69	2.05	1.38	0.71	0.79	0.47	0.24	1.00	1/4-20
135-220	2.56	3.03	1.81	0.91	1.06	0.89	0.32	0.75	1/4-20
135-219	2.56	3.03	1.81	0.91	1.06	0.89	0.32	1.00	1/4-20
135-102	2.56	3.03	1.81	0.91	1.06	0.89	0.32	1.25	1/4-20
135-W84-1M	2.56	3.03	1.81	0.91	1.06	0.89	0.32	0.75	5/16-18
135-104	2.56	3.03	1.81	0.91	1.06	0.89	0.32	1.00	5/16-18
135-221	2.56	3.03	1.81	0.91	1.06	0.89	0.32	1.25	5/16-18
135-222	3.27	3.82	2.25	1.10	1.30	0.75	0.39	0.75	5/16-18
135-223	3.27	3.82	2.25	1.10	1.30	0.75	0.39	1.00	5/16-18
135-W85-1X	3.27	3.82	2.25	1.10	1.30	0.75	0.39	1.25	5/16-18
135-W52-1Y	3.27	3.82	2.25	1.10	1.30	0.75	0.39	1.00	3/8-16
135-W23-1X	3.27	3.82	2.25	1.10	1.30	0.75	0.39	1.25	3/8-16
135-224	3.27	3.82	2.25	1.10	1.30	0.75	0.39	1.50	1/2-13

Thermoplastic Material

ALL ITEMS ON THIS PAGE - PKG QTY. 1

Inch

Pouce



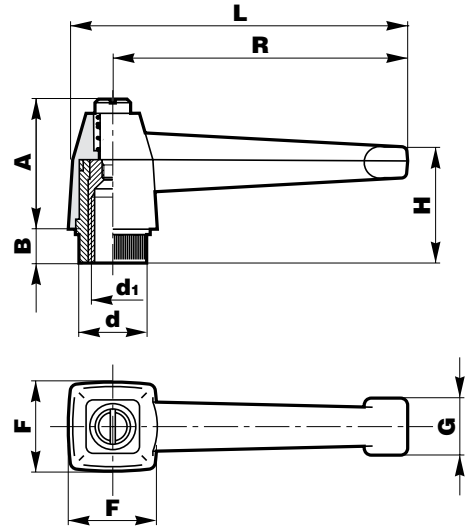
Clamping Levers - 90° Arm

Levier de serrage – bras de 90°

Attaching screws supplied slotted or hex socket drive at mfr's. option.

CLAMPING LEVER WITH 90° ARM

Female (with Steel Insert)

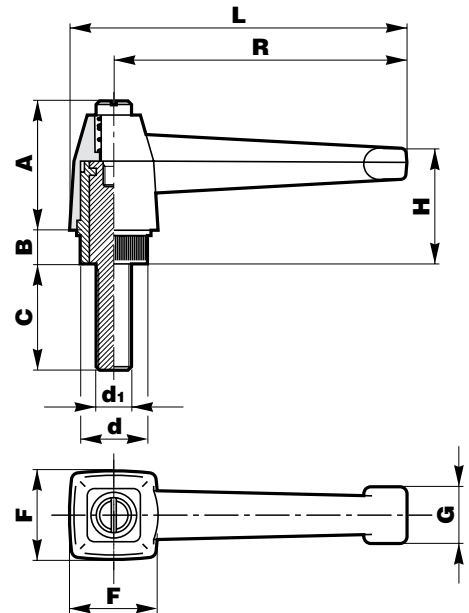


SPAENAUR No.	R	L	H	d	A	B	F	G	d1
135-108	3.27	3.70	0.95	0.75	1.46	0.39	0.99	0.63	5/16-18

Thermoplastic Material

CLAMPING LEVER WITH 90° ARM

Male



SPAENAUR No.	R	L	H	d	A	B	F	G	C	d1
135-109	3.27	3.70	0.95	0.75	1.46	0.39	0.99	0.63	1.25	5/16-18

Thermoplastic Material

ALL ITEMS ON THIS PAGE - PKG QTY. 1

CATALOG 14

SPAENAUR

Clamping Levers - Die Cast Indexed Adjustment

Leviers de serrage – réglage avec repère coulé à pression



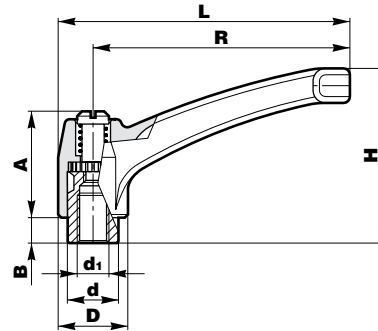
Inch

Pouce

Attaching screws supplied slotted or hex socket drive at mfr's. option.

ZINC DIE CAST INDEXED

Clamping Lever
Female, with Steel Insert

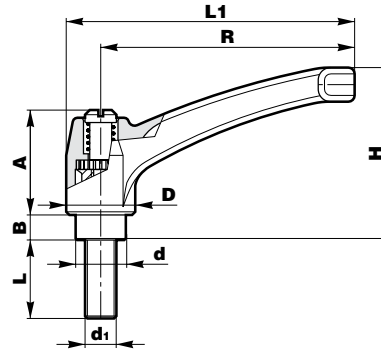


SPAENAUR No.	R	L	H	A	B	D	d	d1
135-W53-1C	1.69	1.97	1.20	0.95	0.20	0.55	0.39	1/4-20
135-226	2.56	2.96	1.77	1.10	0.28	0.75	0.55	1/4-20
135-W87-1P	2.56	2.96	1.77	1.10	0.28	0.75	0.55	5/16-18
135-132	3.15	3.59	2.21	1.32	0.33	0.87	0.63	5/16-18
135-W36-1A	3.15	3.59	2.21	1.32	0.33	0.87	0.63	3/8-16
135-134	3.70	4.22	2.56	1.54	0.39	1.02	0.79	3/8-16
135-W93-1T	3.70	4.22	2.56	1.54	0.39	1.02	0.79	1/2-13

Colour: Chemical Black

ZINC DIE CAST INDEXED

Clamping Lever
Male



SPAENAUR No.	R	L1	H	L	A	B	D	d	d1
135-110	1.69	1.97	1.20	0.75	0.95	0.20	0.55	0.39	1/4-20
135-W54-1N	1.69	1.97	1.20	1.00	0.95	0.20	0.55	0.39	1/4-20
135-228	1.69	1.97	1.20	1.25	0.95	0.20	0.55	0.39	1/4-20
135-229	2.56	2.96	1.77	1.00	1.06	0.28	0.75	0.55	1/4-20
135-112	2.56	2.96	1.77	1.25	1.06	0.28	0.75	0.55	1/4-20
135-113	2.56	2.96	1.77	0.75	1.06	0.28	0.75	0.55	5/16-18
135-114	2.56	2.96	1.77	1.00	1.06	0.28	0.75	0.55	5/16-18
135-230	2.56	2.96	1.77	1.25	1.06	0.28	0.75	0.55	5/16-18
135-231	2.56	2.96	1.77	1.00	1.06	0.28	0.75	0.55	3/8-16
135-232	2.56	2.96	1.77	1.25	1.06	0.28	0.75	0.55	3/8-16
135-W55-1T	3.15	3.59	2.21	1.25	1.32	0.33	0.87	0.63	5/16-18
135-116	3.15	3.59	2.21	1.00	1.32	0.33	0.87	0.63	1/2-13
135-117	3.15	3.59	2.21	1.25	1.32	0.33	0.87	0.63	1/2-13

Thermoplastic Material
Colour: Chemical Black

ALL ITEMS ON THIS PAGE - PKG QTY. 1

J