

**Assortments Storage**

Inch

Assortiment de stockage

Pouce

**SPAENAU**  
**REGULAR SIZE**  
**Assortments**

**13-3/8" x 9-1/4" x 2"**

- All "REGULAR SIZE" Assortments are put up in durable, welded STEEL drawers with hinged lid, and are finished in Grey enamel.
- Inside lid label shows stock numbers and size data.
- All drawers have SCOOPED bins, for easy removal of contents.
- Individual refill items always available in Unit Packages, as catalogued.
- SPAENAU Regular Size Assortments are ideal for garages, industrial plants, service trades, schools, etc.
- Matching empty drawers are also available. (See pages A120 and A121.)



Typical  
**"REGULAR SIZE"**  
**Assortment**

(See page A3 for  
"Large Size" Assortments.)

PKG QTY. 1

**STORAGE - SLIDE RACKS**

For Organized Storage of Your

**SPAENAU**

**"REGULAR SIZE" Assortments Only**

**No. 814-406**

**15-1/4" W x 11-3/4" D x 16-3/8" H**

Shipping weight **14.5 kg** (32 lbs.)

**Accommodates 6 Drawers - Regular size**

**13-3/8" W x 9-1/4" D x 2" H**

**No. 814-404**

**15-1/4" W x 11-3/4" D x 11-1/4" H**

Shipping weight **10 kg** (22 lbs.)

**Accommodates 4 Drawers - Regular size**

**13-3/8" W x 9-1/4" D x 2" H**

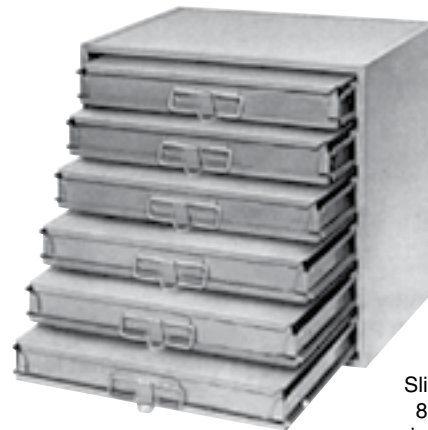
**No. 814-751**

**15-1/4" W x 11-3/4" D x 6-1/4" H**

Shipping weight **5.5 kg** (12 lbs.)

**Accommodates 2 Drawers - Regular size**

**13-3/8" W x 9-1/4" D x 2" H**



Slide Rack  
814-406  
is shown.

**SLIDE RACK**

(Drawers not included)

- Heavy-duty Steel
- All Welded Construction
- Grey Enamel Finish

**SPAENAU**  
**REGULAR SIZE ASSORTMENTS**  
**are for YOU!**

A

A2

Spaenaur reserves the right to substitute parts in any assortment without notice. For any questions or suggestions about our Assortments and Plastikits, please contact us 1-800-265-8772. © 2018 Spaenaur Inc. All rights reserved. Catalog may not be reproduced, in whole or in part, without the written permission of Spaenaur Inc. Subject to Catalog Terms and Conditions of Use available at Spenaaur.com and on page TC2 and TC3 at the back of this catalog. Spaenaur se réserve le droit de remplacer des pièces dans n'importe quel assortiment sans préavis. Pour toute question ou suggestion concernant nos Assortiments et Plastikits, veuillez nous contacter au 1-800-265-8772. © 2018 Spaenaur Inc. Tous droits réservés. Le catalogue ne peut être reproduit, en tout ou en partie, sans l'autorisation écrite de Spaenaur Inc. L'utilisation est soumise aux Conditions d'utilisation du Catalogue disponibles sur Spenaaur.com et à la page TC4 et TC5 à la fin de ce catalogue.

Inch

Assortments Storage

Pouce

Assortiment de stockage



# SPAENAUR LARGE SIZE Assortments

18" x 12" x 3"

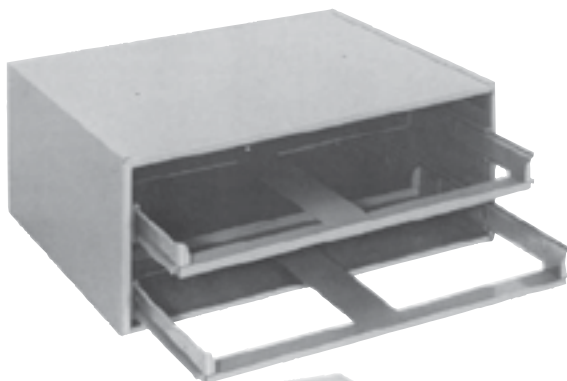
- All "LARGE SIZE" Assortments are put up in welded STEEL drawers with hinged lid, and finished in Grey enamel.
- Inside lid label shows stock numbers and size data.
- All drawers have SCOOPED bins, for easy removal of contents.
- Individual refill items always available in Unit Packages, as catalogued.
- Matching empty drawers are also available. See pages A120 - A123.

PKG QTY. 1

## Typical "LARGE SIZE" Assortment

Roomy compartments provide generous storage space.

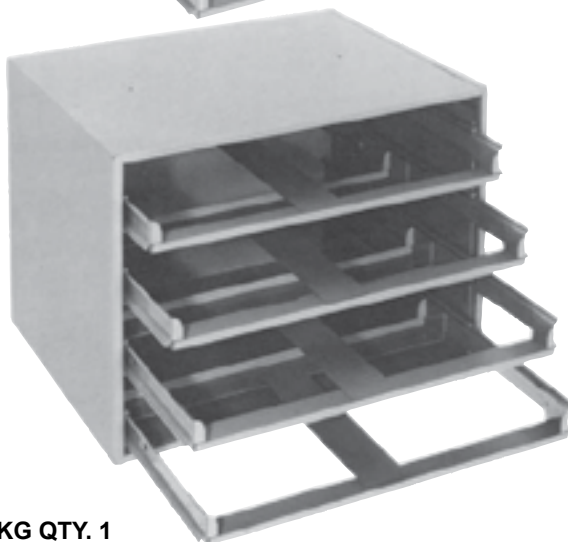
(See also page A2 for "Regular Size" Assortments.)



## STORAGE - SLIDE RACKS

(Drawers not included)

For Organized Storage of Your  
**SPAENAUR**  
"LARGE SIZE" Assortments.



PKG QTY. 1

### No. 814-754

20" W x 15-3/4" D x 8-1/8" H

Shipping weight **9.5 kg** (21 lbs.)

Accommodates 2 "LARGE SIZE" Drawers

18" W x 12" D x 3" H

### No. 814-604

20" W x 15-3/4" D x 15" H

Shipping weight **13.2 kg** (29 lbs.)

Accommodates 4 "LARGE SIZE" Drawers

18" W x 12" D x 3" H

STEEL SLIDE RACK ONLY (Drawers not included)

CATALOG 14

SPAENAUR