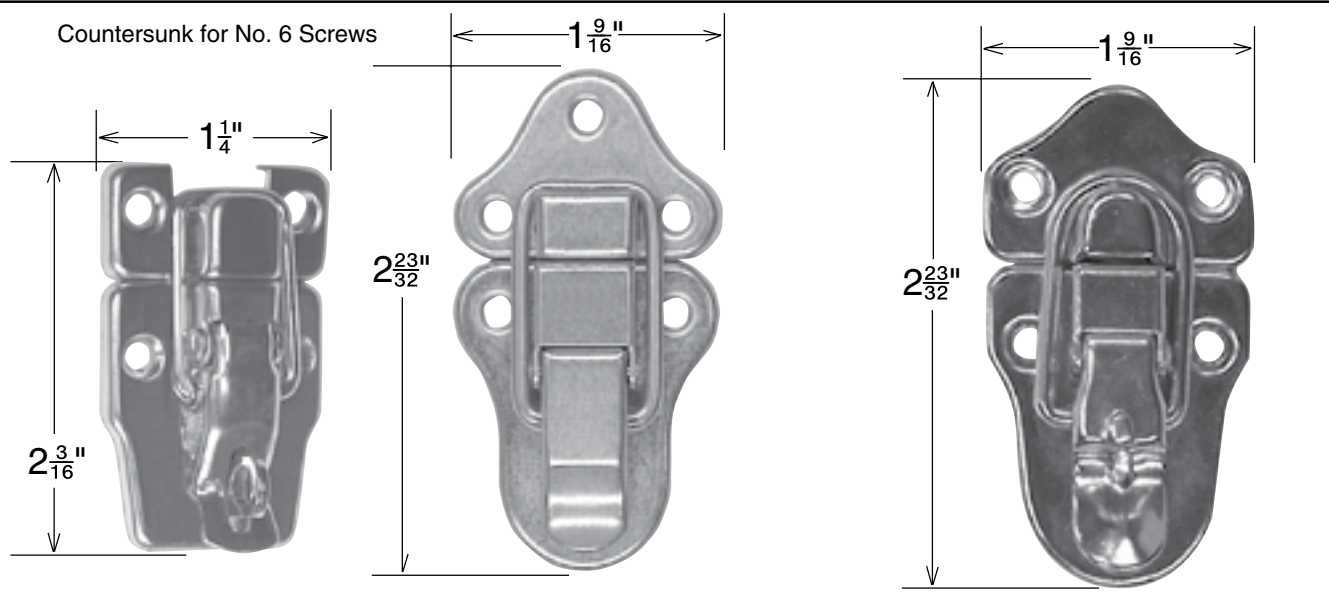


**Draw Latches / Magnetic Catches**

Inch

**Loquets à levier / loquets aimantés**

Pouce



**096-644**

Steel, Nickel Plated  
(with Padlock Eye)  
PKG QTY. 2

For Suitcases, Chests, etc.

**096-617**

Steel, Brass Plated  
PKG QTY. 10

**096-603**

Steel, Nickel Plated  
PKG QTY. 10

**096-605**

Steel, Brass Plated  
PKG QTY. 1

**MAGNETIC CATCH and STRIKE SETS**

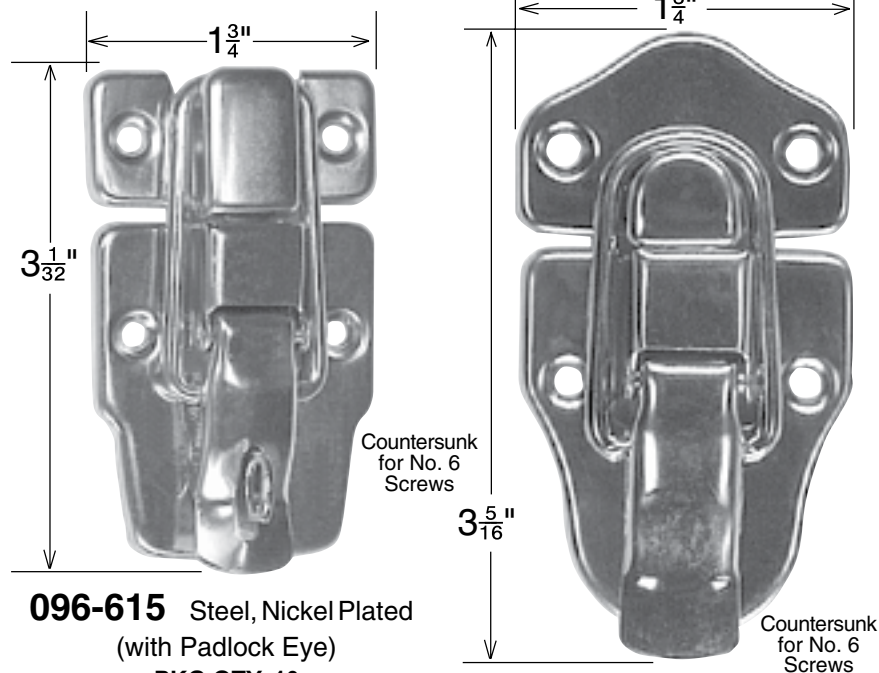
L



**096-352**

Aluminum Case (Plain Finish) with Steel Strike and Screws.

PKG QTY. 12 SETS



**096-615**

Steel, Nickel Plated  
(with Padlock Eye)  
PKG QTY. 10

**096-643**

Steel, Nickel Plated  
(without Padlock Eye)  
PKG QTY. 2

**096-647**

Steel, Brass Plated  
(without Padlock Eye)

**096-648**

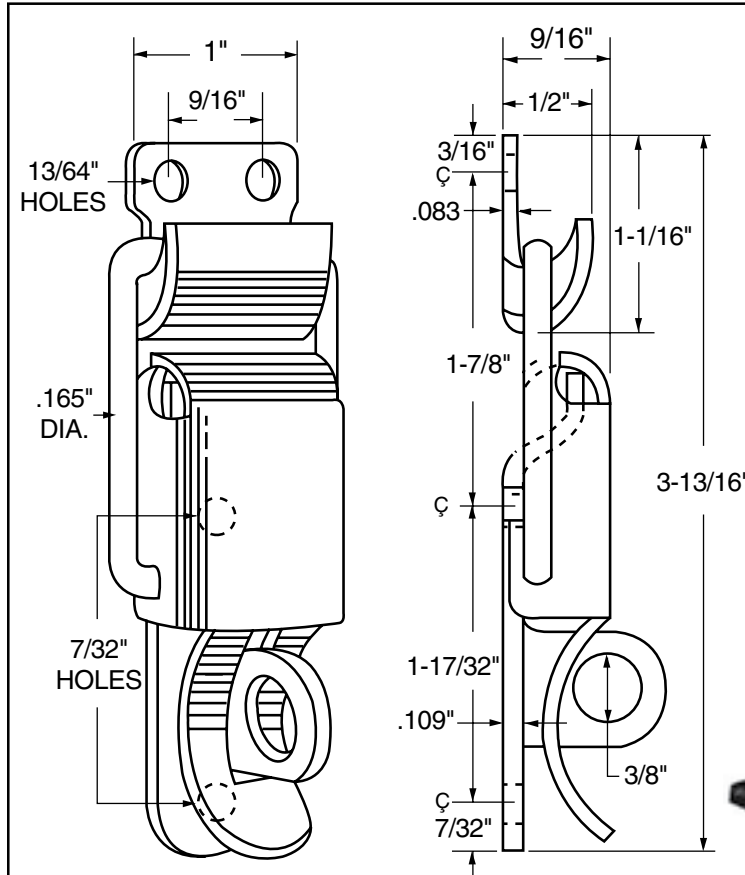
Steel, Brass Plated  
(with Padlock Eye)  
PKG QTY. 2

Inch and Metric

Pouce et Métrique

# Draw Latches/Spring Catch Assemblies

Ensembles de loquets à levier / loquets à ressort

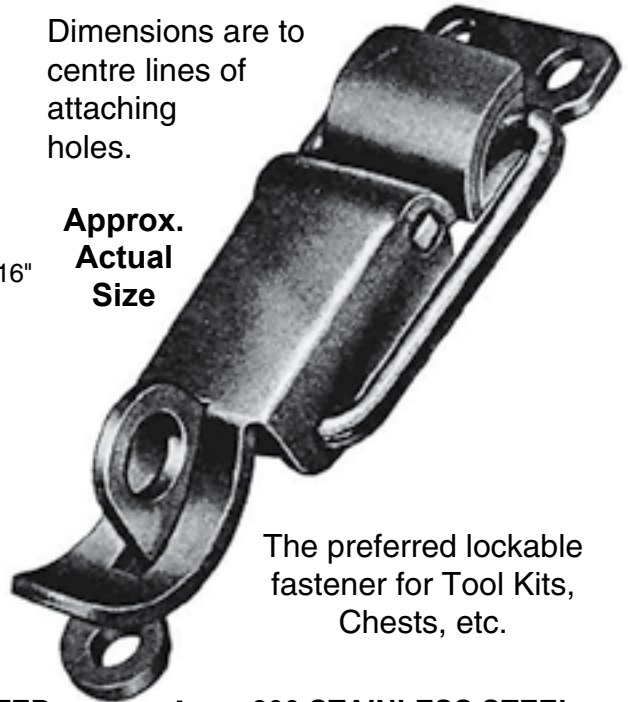


## CLAMP FASTENERS with Padlock Eye

PLAIN and ZINC PLATED STEEL and 300 STAINLESS STEEL

Dimensions are to centre lines of attaching holes.

Approx. Actual Size



The preferred lockable fastener for Tool Kits, Chests, etc.

- PLAIN STEEL**  
for Spot-Welding (no holes)
- 096-602** Strike and Catch
  - 096-596** Strike only
  - 096-597** Catch only

- ZINC PLATED**  
with riveting holes
- 096-601** Strike and Catch
  - 096-598** Strike only
  - 096-599** Catch only

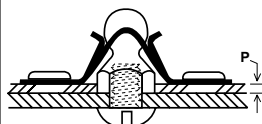
- 300 STAINLESS STEEL**  
with riveting holes
- 096-H05-1Y** Strike and Catch
  - 096-H04-1P** Strike only
  - 096-808** Catch only

PKG QTY. 10

PKG QTY. 1

## SPRING CATCH and STUD ASSEMBLIES

### TYPICAL ASSEMBLY



P (Panel Range)  
.133" - .160"

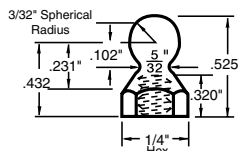
Note:  
Components must be ordered separately.

(See page C92 for more information.)

### BALL STUDS - Steel, Zinc Plated.

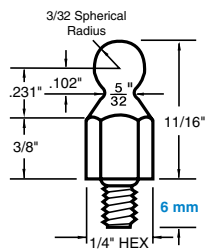
SPAENAUR No. **C-968**

Internal Thread  
6-32 NC2



SPAENAUR No. **086-689**

External Thread  
METRIC Coarse  
M4 x 0.70 Pitch  
6 mm Long.



PKG QTY. 100

### STEEL SPRING CATCHES

Catches are dimensionally identical.  
Material thickness and pull-out tensions differ.

SPAENAUR No's.

**086-692**

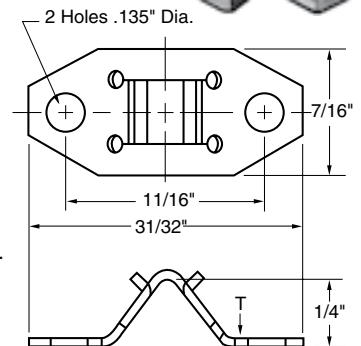
Zinc Plated  
T = .017"  
Pull-out Tension 8 lbs.

**C-788**

Phosphate Finish  
T = .022"  
Pull-out Tension 12 lbs.

**086-690**

Phosphate Finish  
T = .031"  
Pull-out Tension 30 lbs.



PKG QTY. 100

**Draw Latches / Latch & Lock Parts**

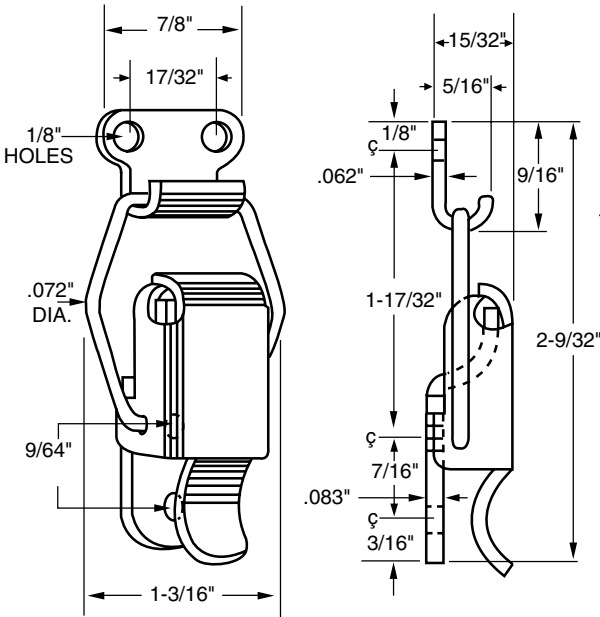
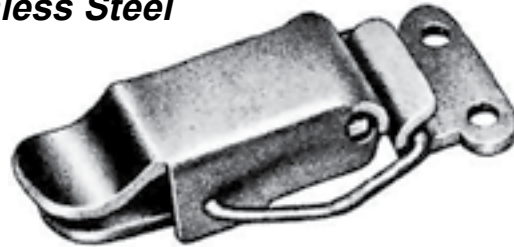
Inch

Loquets à levier / Pièces pour loquets et verrous

Pouce

**HEAVY DUTY PULL-DOWN CATCH**

*Available in Zinc Plated and Stainless Steel*



**Steel, Zinc Plated**

**Stainless Steel**

**096-654** Strike and Catch

**096-806**

**096-652** Catch only

**096-802**

**096-653** Strike only

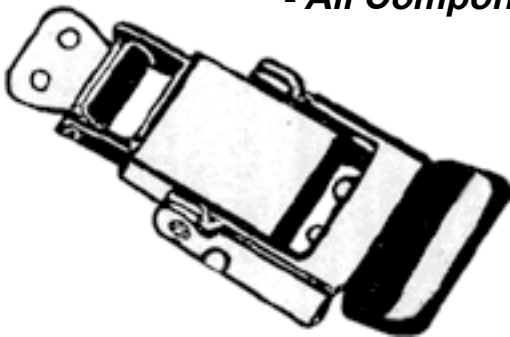
**096-803**

Two riveting holes in Strike and Catch.

*All numbers on this page,  
PKG QTY. 10*

**COMPRESSION SPRING DRAW-PULL CATCH**

*- All Components are Stainless Steel -*

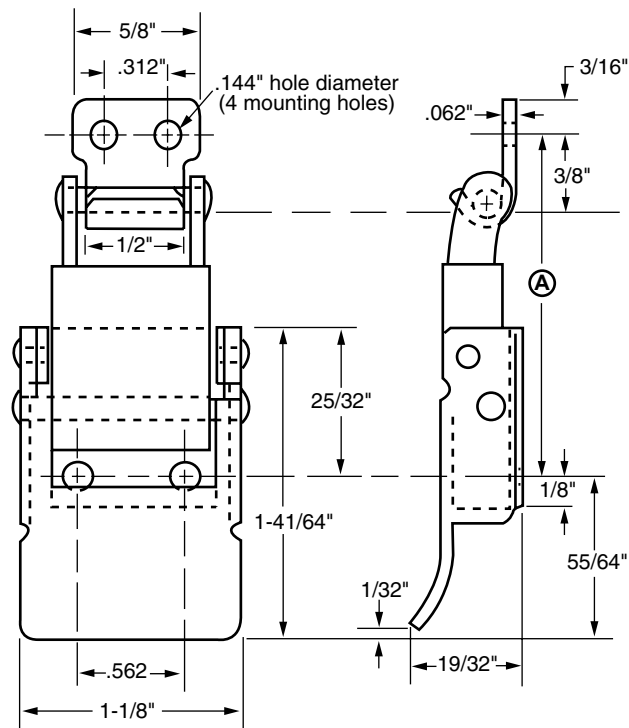


**096-807** Strike and Catch

**096-804** Catch only

**096-805** Strike only

Two riveting holes in Strike and Catch.



**(A)** = Length center to center for mounting holes

1-13/16" apart = 30 lbs. holding tension.

1-7/8" apart = 50 lbs. holding tension.

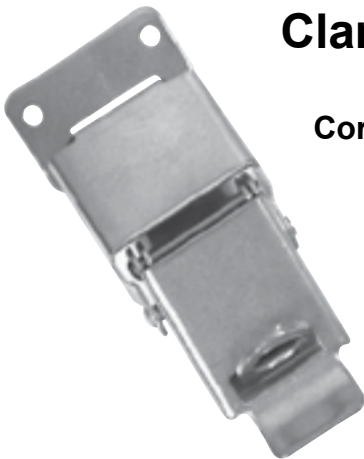
1-15/16" apart = 70 lbs. holding tension.

Inch

**Draw Latches / Latch & Lock Parts**

Pouce

**Loquets à levier / Pièces pour loquets et verrous**



**Clamp Fastener with Padlock Eye**

All Components are  
Corrosion Resistant 316 STAINLESS STEEL

**096-813** Strike and Catch

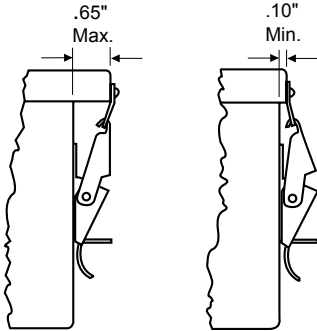
**096-812** Strike only

**096-811** Catch only

Featuring:  
Sleek appearance.  
Padlockable security.  
Smooth action.

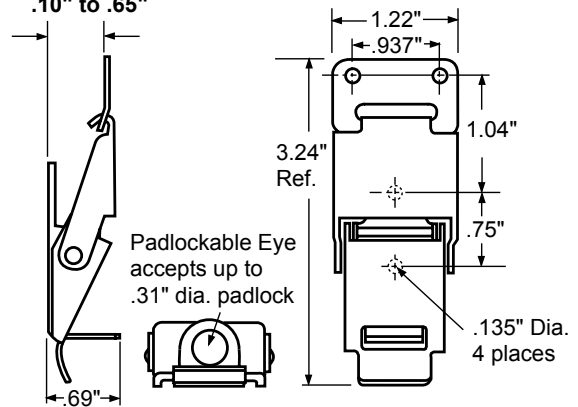
PKG QTY. 1

Designed for Overlapping Covers.

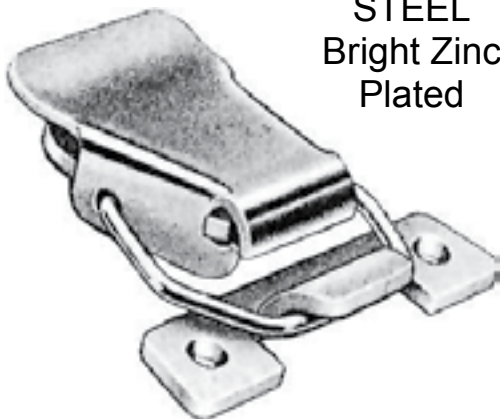


Dimensions shown are as mounted.  
For increased tension, increase catch/strike separation.

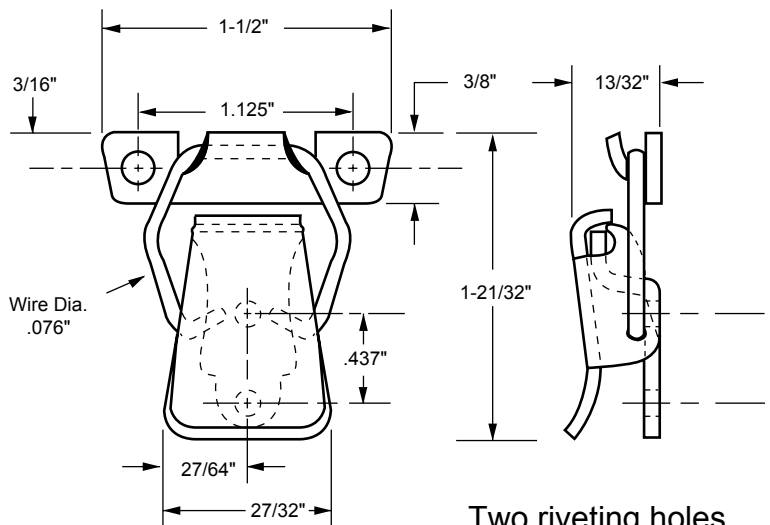
Designed for use with overlapping covers from .10" to .65"



**PULL-DOWN CATCH**



STEEL  
Bright Zinc  
Plated



Wire Dia. .076"

Two riveting holes  
(.143 DIA.)  
in Strike and Catch.

PKG QTY. 1

**096-651** Strike and Catch

**096-H02-1X** Catch only

**096-649** Strike only

CATALOG 14

SPAENAUR



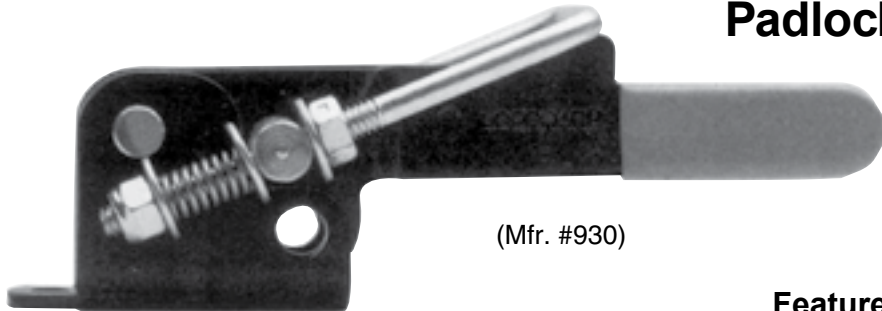
**Draw Latches / Latch & Lock Parts**

Loquets à levier / Pièces pour loquets et verrous



Inch  
Pouce

**Padlockable Draw Latch**



(Mfr. #930)

**SPAENAUR No.**  
**099-241**

PKG QTY. 1

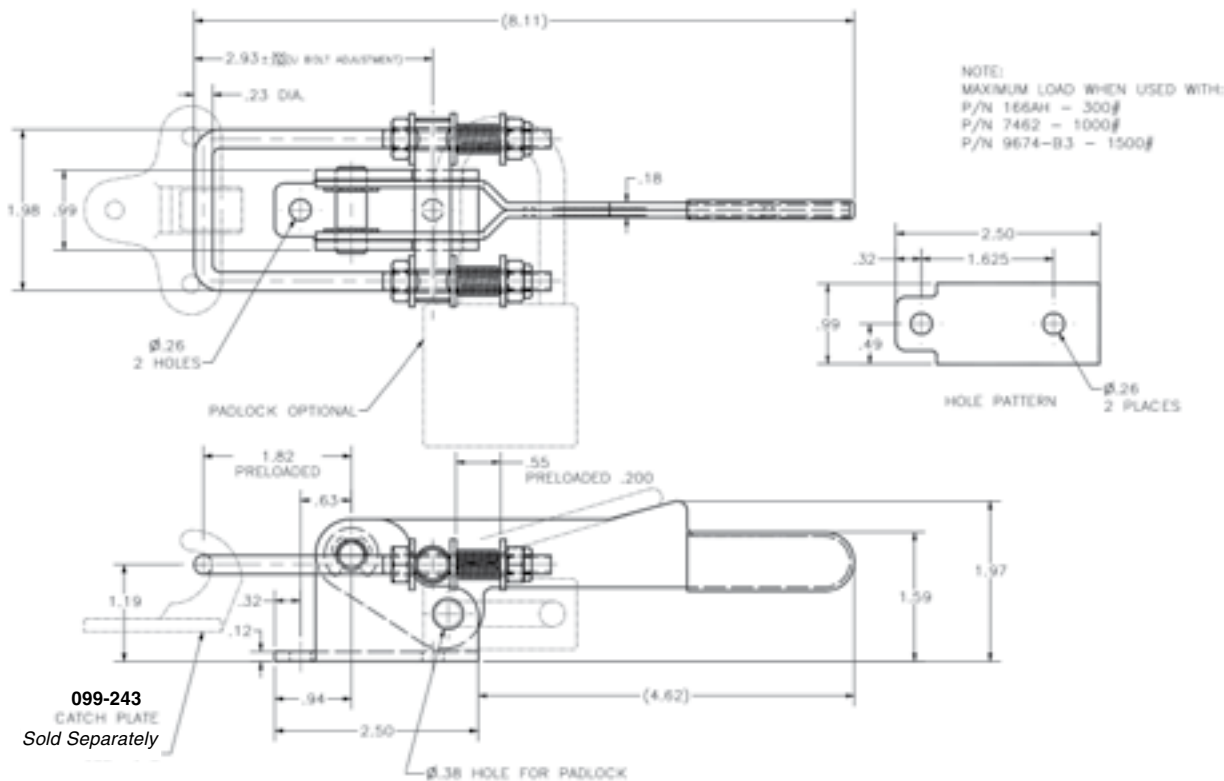
The Padlockable Draw Latch can be used in a wide variety of applications. Rated up to **1500 LBS.** maximum pull.

**Finish**

Body parts: Steel - "E" coat (Black powder coat).  
Fasteners, loop and thumb release: Zinc Plated.

**Features:**

- Up to 7/16" U-bolt adjustment.
- Padlock eye provides for up to a 3/8" diameter padlock shackle.
- Self-adjusting, stainless steel tension springs help maintain balanced load forces.

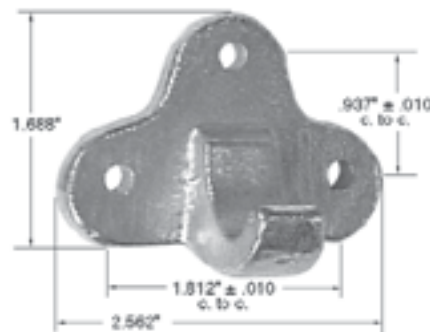


**Catch Plate**

**SPAENAUR No.**  
**099-243**  
PKG QTY. 1

For use with  
Padlockable Draw  
Latch 099-241.

Cast Malleable Iron,  
Zinc Plated  
*Order Separately*



Inch

**Draw Latches / Latch & Lock Parts**

Pouce

**Loquets à levier / Pièces pour loquets et verrous**



**Extra Heavy Duty Draw Latch**

Patent Pending

The Extra Heavy Duty Draw Latch can be used in a wide variety of applications. It offers strength and durability, and is rated at **8000 LBS.** maximum pull.

**Features:**

- Up to 1" loop length adjustment.
- Safety thumb release helps ensure full locked engagement; provides a padlock eye for up to a 3/8" diameter padlock shackle.
- Stainless steel torsion spring automatically retracts the loop to prevent damage when not in use.

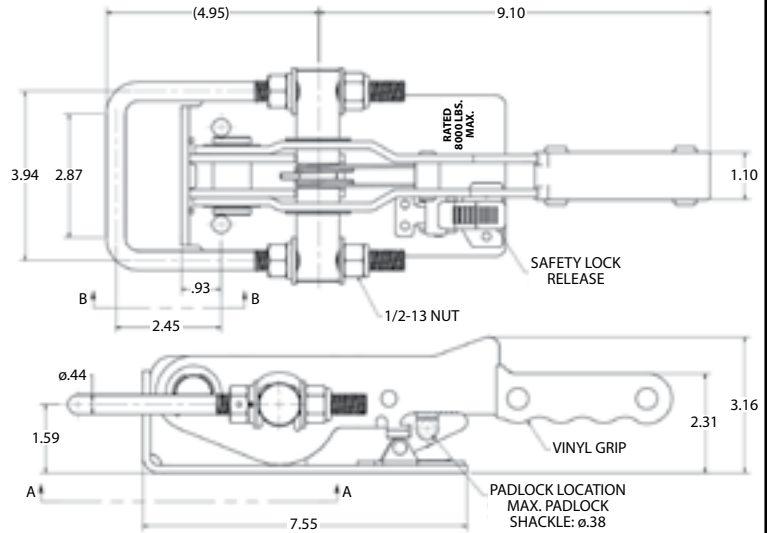
**Finish**

Body parts: Steel - "E" coat (Black powder coat). Fasteners, loop and thumb release: Zinc Plated. Weight: 6.9 lbs. each.



PKG QTY. 1

SPAENAUR No. **099-230**  
(Mfr. #960)



This draw latch combines panel take-up capabilities with the added security of a key-locking tumbler mechanism!

Holds lids, hoods and doors secure from vibration or rattle and helps to keep out dust.

To latch, simply position the wire bale over the hook and press down on the lever.

The key-locking feature can then be used to assure security without the need of any other locking device. However, a seal hole is provided if evidence of tampering is desired.

**Material:**

Latch assembly and hook are zinc plated carbon steel. Key cylinder body is a zinc die casting.

Furnished complete with two keys and hook. Fasteners must be supplied by customer.

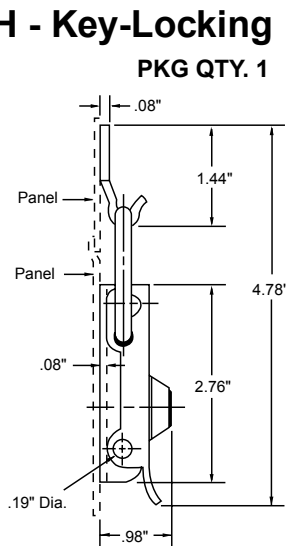
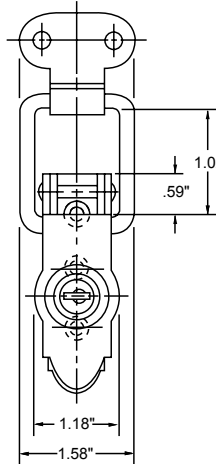
**Recommended fasteners:**

- #10 flat head screws for latch.
- #10 round or pan head screws for hook.

**DRAW LATCH - Key-Locking**

Spaenaur No. **099-159**

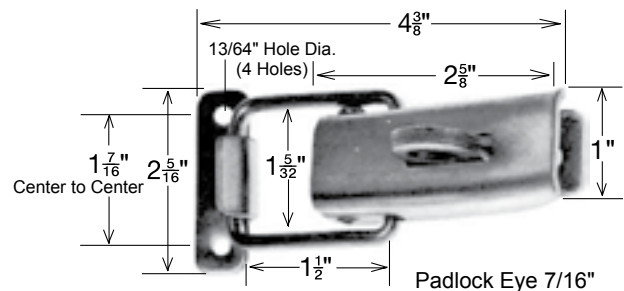
PKG QTY. 1



**Throwover Catch with Striker Plate**

Spaenaur No. **096-022**  
PKG QTY. 1

Catch with striker plate and loop for padlock fitting. Zinc Plated.



CATALOG 14

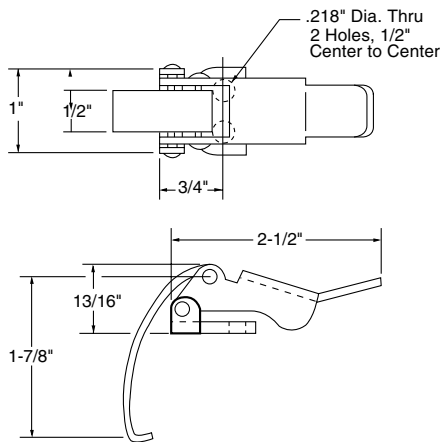
SPAENAUR

**Draw Latches / Latch & Lock Parts**

Inch

**Loquets à levier / Pièces pour loquets et verrous**

Pouce



**RIGHT ANGLE CLAMP**

Steel, Zinc Plated

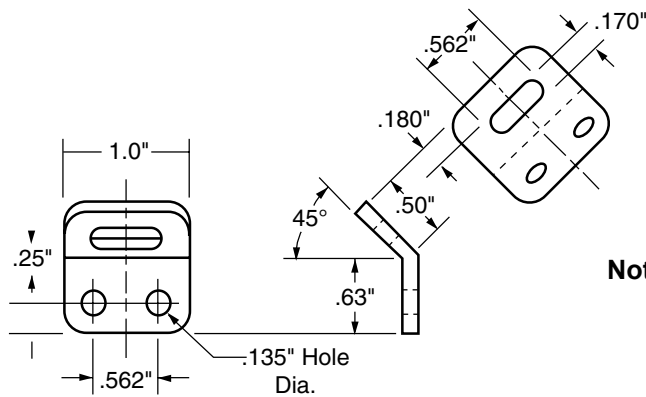
**SPAENAUR No. D-2001**

PKG QTY. 10



A 90° clamping device for application where a top-mounted fastener is desirable. Ideal for use where space limitations exist.

The spring exerts a closing pressure of 50 to 75 lbs. - enough to maintain closure of the container under severe usage.



**STRIKES**

Steel, Zinc Plated

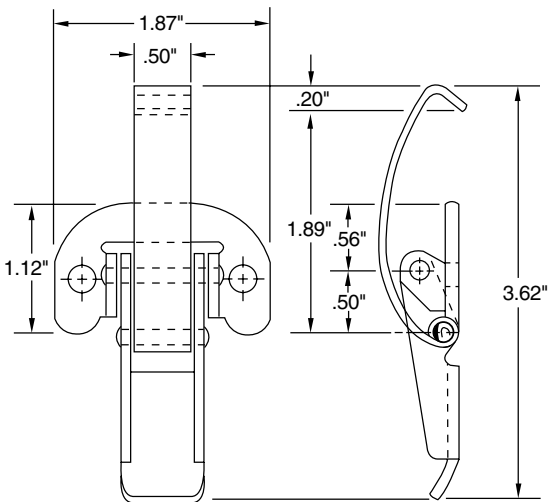
**SPAENAUR No. D-2050**

PKG QTY. 10

Rivet type Strike (with 2 holes) .096" thickness.  
**Note:** Strike #D-2050 for Clamps #D-2001 shown above

**Order Clamp and Strike separately.**

L



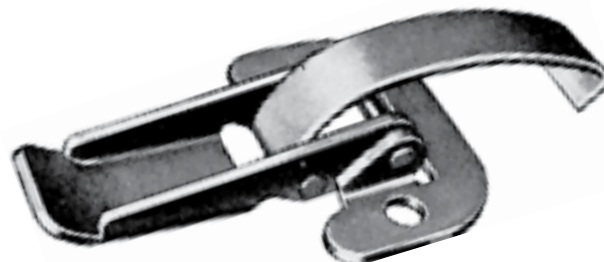
.218" Hole Dia. 1-3/8" C. to C.

**HOOK TYPE CLAMP**

Steel, Zinc Plated

**SPAENAUR No. D-3000**

Heavy duty high-tensile spring exerts a closing force of 50 to 75 lbs. - enough to keep container closed, even under severe usage.



Inch

**Draw Latches / Latch & Lock Parts**

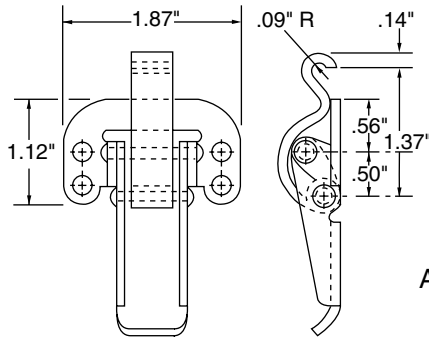
Pouce

**Loquets à levier / Pièces pour loquets et verrous**

**HINGE TYPE CLAMP**

Steel, Zinc Plated

PKG QTY. 10

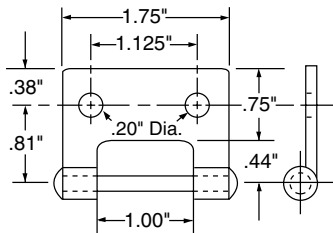


Spaenaur No.  
**D-2002**

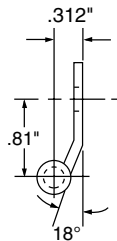


Ideal for use as a clamp-hinge combination.  
Allows trouble-free opening and secure fastening.  
Order Clamp and Strike separately.

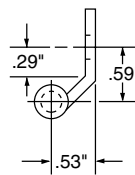
For use with D-2002 Clamp.



**D-2052**



**D-2053**



**D-2054**

**STRIKES**

Steel, Zinc Plated

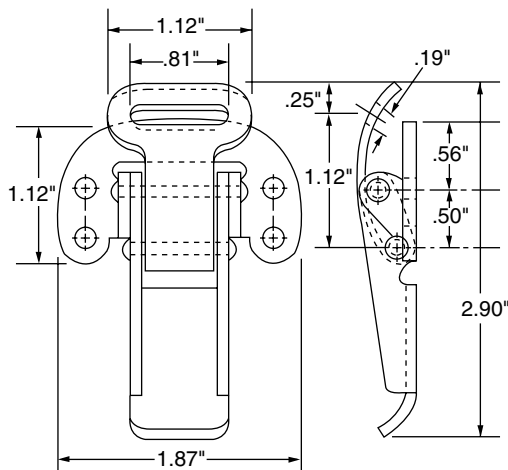
Spaenaur No.

- D-2052** Rivet type Strike (.085" thickness)
- D-2053** Rivet type Strike (.084" thickness)
- D-2054** Rivet type Strike (.084" thickness)

**LOOP TYPE CLAMP**

Steel, Zinc Plated

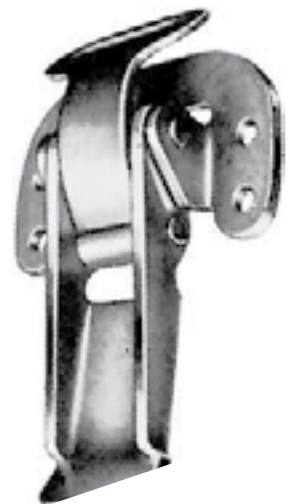
PKG QTY. 10



**SPAENAUR**  
No.  
**D-2003**

General purpose, resilient design, similar to other types shown above. In place of the hook-spring mechanism, a loop-spring is supplied.

A closing force of 50 to 75 lbs. is exerted by the high-tensile alloy steel spring.



**For more CLAMP FASTENERS - Heavier Styles, see the following pages: L18, L21, L24 - L27**



**Latch & Access Hardware**

Loquets et quincaillerie d'accès

**southco<sup>®</sup>**

We Are Proud To Represent

**southco<sup>®</sup>**

CONNECT · CREATE · INNOVATE

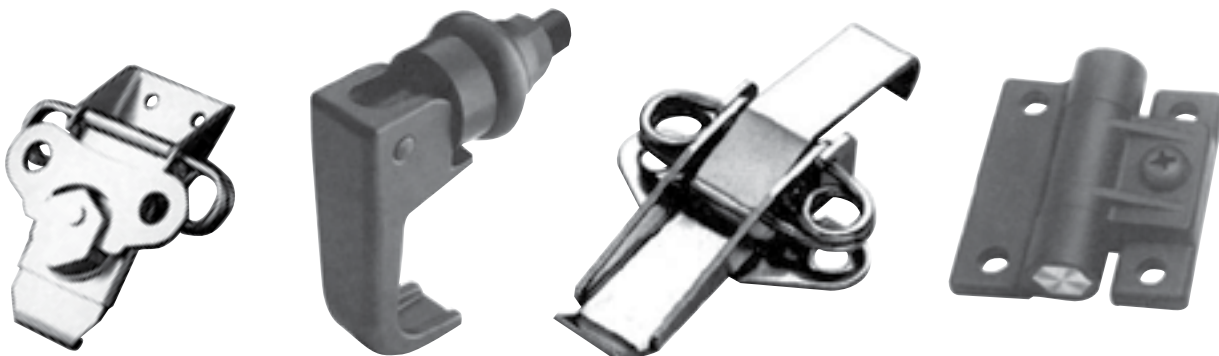
**...the Leader in Providing Latching and Access Hardware Solutions.**

Featured are many of the quality products  
we stock for immediate shipment.

With the rapid expansion of our Southco inventory,  
it is difficult to keep our catalog up to date.

If you cannot find what you are looking for  
in this section (such as draw latches,  
rotary latches, handles, pulls and  
specialty hinges), please call.

Southco's full line including quarter-turn and captive fasteners, various  
latches, catches and locks are available on special order. Please call with  
your requirements for expert assistance and current information.



**Southco<sup>®</sup>** products are manufactured under an ISO 9001 Quality System.

**Please see page L95 for Southco<sup>®</sup> products**

L

Inch

Pouce



Draw Latches / Latch & Lock Parts

Loquets à levier / Pièces pour loquets et verrous

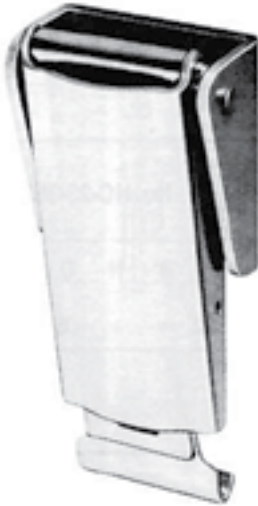
Draw Latches • Overcentre • Adjustable

PKG QTY. 1

Carbon Steel and Stainless Steel



Latch and Keeper must be ordered separately.



Spaenaur No.

**099-160** Draw Latch, **Steel - Zinc Plated** (Mfr. #750)

**099-161** Keeper, **Steel - Zinc Plated** (Mfr. #750-10)

**099-162** Draw Latch, **Stainless Steel** (Mfr. #750SS)

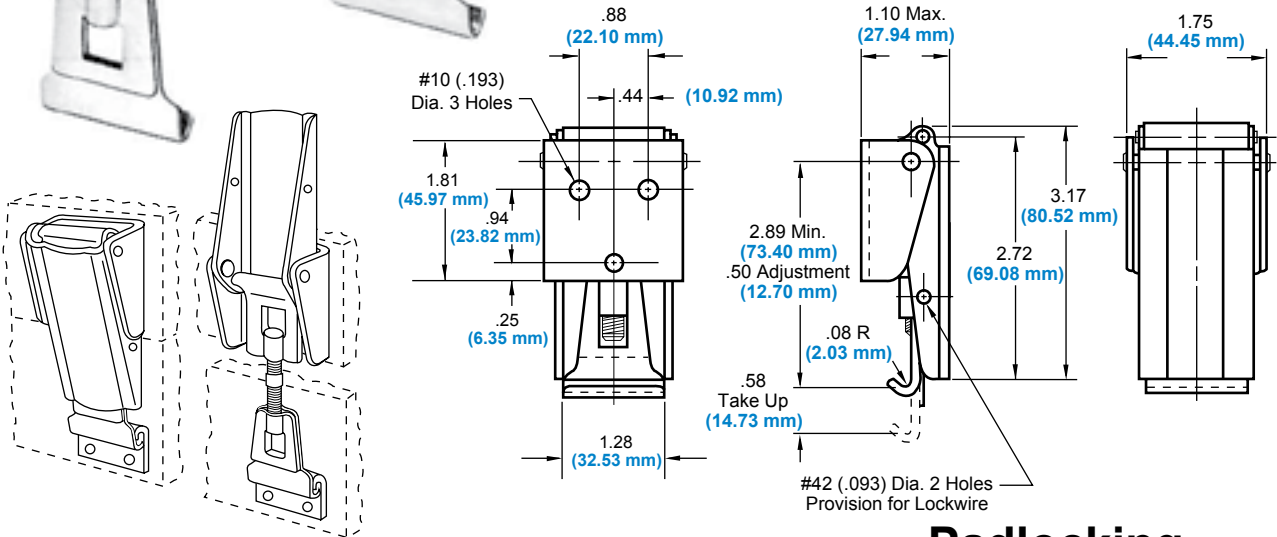
**099-163** Keeper, **Stainless Steel** (Mfr. #750SS-10)

Latches listed below have padlocking eye feature.

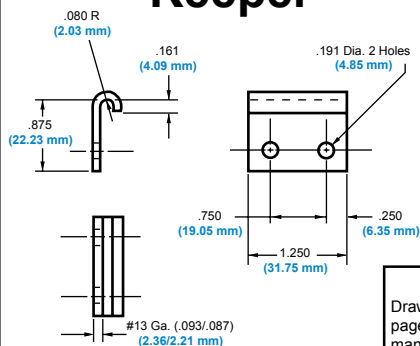
**099-165** Draw Latch, **Steel - Zinc Plated** (Mfr. #750P)

**099-166** Draw Latch, **Stainless Steel** (Mfr. #750SSP)

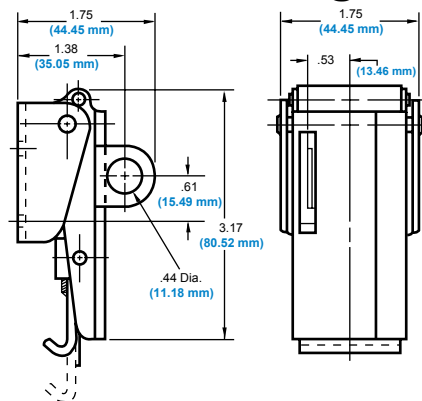
- Ideal for use on heavy gasketed lids.
- 1/2" adjustment allows for variations in alignment.
- 1/2" take-up capability.
- Slim profile.
- Provision for use of a lockwire to prevent inadvertent opening or tampering.



Keeper



Padlocking



**NOTE**  
Drawings and dimensions on this page are for reference only. For manufacturing production or tooling purposes, obtain current engineering print from SPAENAUR.

CATALOG 14 SPAENAUR