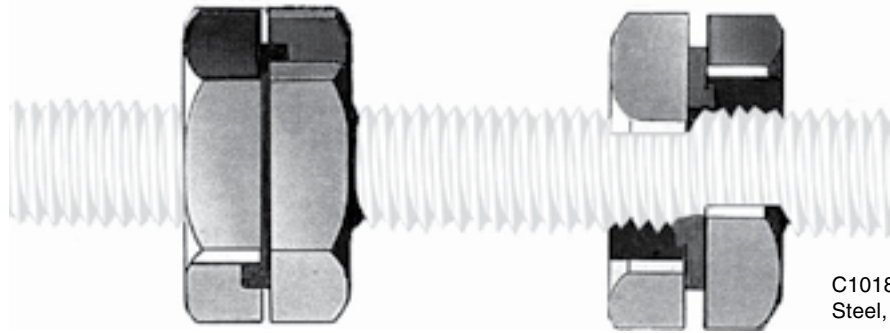


Slip-on® Locknut

Inch

Écrous freinés Slip-on^{MD}

Pouce



C1018 Cold Rolled Steel, Bright Zinc Pltd.

Slip-on® LockNut

**Position at any desired location without threading.
A nut that does not have to be “threaded on.”**

A must for electricians, mechanical contractors, plumbers, steamfitters, sprinkler installers, general contractors, mining contractors, telecommunication industry, television industry, plant maintenance, original equipment manufacturers—and the list goes on. The Slip-On Lock Nut can be used on pipe racks, clevis hangers, cable trays, all-thread rod, anchor bolts that are rusted or bent, and in high vibratory situations. The list of applications is endless.

- Saves time
- Saves money
- Solves rod and retrofit problems

SPAENAUR No.	Thread Size	Width A/F	Approx. Thick.	Recommended Loads	Recommended Torque
165-199	1/4"-20 UNC	5/8"	3/8"	650 lbs.	6-8 ft. lbs.
165-200	3/8"-16 UNC	7/8"	15/32"	2,000 lbs.	19-25 ft. lbs.
165-201	1/2"-13 UNC	1-1/16"	5/8"	4,000 lbs.	50-60 ft. lbs.
165-W02-1A	5/8"-11 UNC	1-5/16"	13/16"	5,000 lbs.	100-120 ft. lbs.
165-207	3/4"-10 UNC	1-5/8"	1"	8,000 lbs.	180-200 ft. lbs.

PKG QTY. 10

**MANUFACTURER’S RECOMMENDED INSTALLATION PROCEDURE
FOR RIGHT-HAND THREADED SLIP-ON LOCK NUTS**

- STEP 1. Line up slot on both halves and position at desired location, placing threads of rod/bolt all the way back into the base of the slot.
- STEP 2. Turn half of the nut, following the direction of the arrows, until both halves tighten down against one another.
- STEP 3. Put wrench on the half of the Slip-On Lock Nut that is farthest away from your fixed structure and tighten, following the direction of the arrows, until slots of both halves are opposite one another (180°).

NOTE: In order to adjust or torque the nut as a unit, turn half of the Slip-On Lock Nut until slot is 120° (2 flats). Then put wrench on entire nut to adjust or torque as you would a conventional nut with compatible materials. Next, follow STEP 3, putting slots at 180° of each other to complete installation.

Other sizes available on B287

CATALOG 14

SPAENAUR