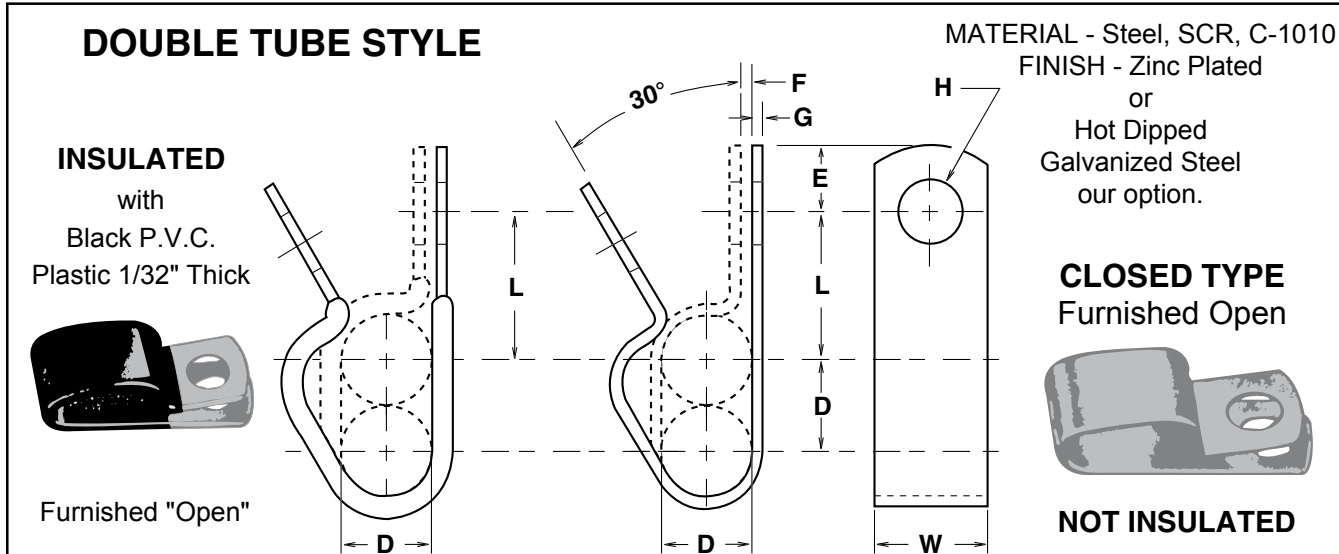


Cable Clamps

Inch

Colliers pour câbles

Pouce



PKG QTY. 50 - ALL ITEMS ON THIS PAGE

For inspection of these parts, close around mandrel the same size as inside dimensions of clamp.

D	INSULATED		NOT INSULATED		H	W	E	F	G
	SPAENAUR No.	Holes to Tube Centre	SPAENAUR No.	Holes to Tube Centre					
5/8"	086-F61-1A	25/32"			11/32"	5/8"	5/16"	1/16"	.048"
	086-562	27/32"			13/32"	3/4"	3/8"	1/16"	.048"
	086-563	29/32"			15/32"	7/8"	7/16"	1/16"	.048"
	086-F70-1W	31/32"			17/32"	1"	1/2"	1/16"	.048"
11/16"	086-565	13/16"	086-506	25/32"	11/32"	5/8"	3/8"	1/16"	.048"
	086-566	7/8"			13/32"	3/4"	3/8"	1/16"	.048"
	086-567	15/16"			15/32"	7/8"	7/16"	1/16"	.048"
3/4"	086-F66-1T	29/32"			13/32"	3/4"	3/8"	1/16"	.048"
	086-571	31/32"			15/32"	7/8"	7/16"	1/16"	.048"
	086-572	1-1/32"			17/32"	1"	1/2"	1/16"	.048"
13/16"	086-573	7/8"			11/32"	5/8"	5/16"	1/16"	.060"
	086-574	15/16"			13/32"	3/4"	3/8"	1/16"	.060"
	086-575	1"			15/32"	7/8"	7/16"	1/16"	.060"
	086-576	1-1/16"			17/32"	1"	1/2"	1/16"	.060"
7/8"	086-577	29/32"			11/32"	5/8"	5/16"	1/16"	.060"
	086-578	31/32"			13/32"	3/4"	3/8"	1/16"	.060"
	086-579	1-1/32"			15/32"	7/8"	7/16"	1/16"	.060"
	086-580	1-3/32"			17/32"	1"	1/2"	1/16"	.060"
15/16"	086-581	15/16"			11/32"	5/8"	5/16"	1/16"	.060"
	086-582	1"			13/32"	3/4"	3/8"	1/16"	.060"
	086-583	1-1/16"			15/32"	7/8"	7/16"	1/16"	.060"
	086-584	1-1/8"			1-3/32"	17/32"	1"	1/2"	1/16"
1"	086-F53-1N	31/32"			11/32"	5/8"	5/16"	1/16"	.060"
	086-F57-1M	1-1/32"			13/32"	3/4"	3/8"	1/16"	.060"
	086-587	1-3/32"			17/32"	1"	9/16"	1/16"	.060"
	086-588	1-5/32"			17/32"	1"	1/2"	1/16"	.060"

Table continues on next page...

H

CATALOG 14

SPAENAUR

Inch

Cable Clamps

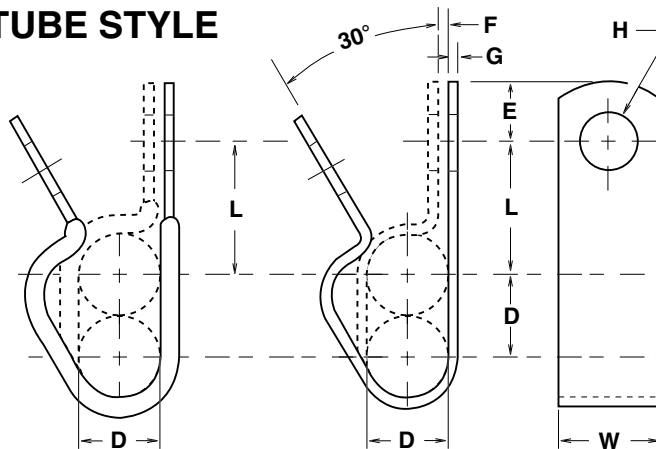
Pouce

Colliers pour câbles

Continued from Previous Page

DOUBLE TUBE STYLE

INSULATED
with
Black P.V.C.
Plastic 1/32" Thick



MATERIAL - Steel, SCR, C-1010
FINISH - Zinc Plated or
Hot Dipped Galvanized Steel
our option.

CLOSED TYPE
Furnished Open



NOT INSULATED

PKG QTY. 100 - ALL ITEMS ON THIS PAGE

D	INSULATED		NOT INSULATED		For inspection of these parts, close around mandrel the same size as inside dimensions of clamp.				
		L		L	H	W	E	F	G
Diameter of Tubes	SPAENAUR No.	Holes to Tube Centre	SPAENAUR No.	Holes to Tube Centre	Diameter of Holes	Steel Width	Hole Centre To End	Gap	Steel Gauge
3/16"	086-530	15/32"	086-471	7/16"	7/32"	1/2"	7/32"	1/32"	.032"
	086-531	1/2"	086-472	15/32"	9/32"	1/2"	1/4"	1/32"	.032"
	086-532	9/16"			11/32"	5/8"	5/16"	1/32"	.032"
1/4"	086-534	1/2"	086-475	15/32"	7/32"	1/2"	7/32"	1/32"	.032"
	086-535	17/32"	086-476	1/2"	9/32"	1/2"	1/4"	1/32"	.032"
	086-F54-1T	19/32"	086-477	9/16"	11/32"	5/8"	5/16"	1/32"	.032"
	086-537	21/32"			13/32"	3/4"	3/8"	1/32"	.032"
5/16"	086-538	9/16"	086-479	17/32"	9/32"	1/2"	1/4"	1/32"	.032"
	086-539	5/8"			11/32"	5/8"	5/16"	1/32"	.032"
	086-F55-1K	11/16"			13/32"	3/4"	7/16"	1/32"	.032"
3/8"	086-F13-1Y	19/32"	086-482	9/16"	9/32"	1/2"	1/4"	1/16"	.032"
	086-542	21/32"	086-F18-1W	5/8"	11/32"	5/8"	5/16"	1/16"	.032"
	086-F19-1M	23/32"			13/32"	3/4"	3/8"	1/16"	.032"
	086-F47-1A	25/32"	086-F79-1K	3/4"	15/32"	7/8"	7/16"	1/16"	.032"
	086-545	27/32"			17/32"	1"	1/2"	1/16"	.032"
7/16"	086-546	5/8"			9/32"	1/2"	1/4"	1/16"	.032"
	086-548	3/4"			13/32"	3/4"	3/8"	1/16"	.032"
	086-549	13/16"			15/32"	7/8"	7/16"	1/16"	.032"
	086-F71-1M	7/8"			17/32"	1"	1/2"	1/16"	.032"
1/2"	086-F59-1A	21/32"			9/32"	1/2"	1/4"	1/16"	.048"
	086-552	23/32"			11/32"	5/8"	5/16"	1/16"	.048"
	086-553	25/32"			13/32"	3/4"	3/8"	1/16"	.048"
	086-F56-1W	27/32"			15/32"	7/8"	7/16"	1/16"	.048"
	086-F50-1P	29/32"			17/32"	1"	1/2"	1/16"	.048"
9/16"	086-F63-1Y	11/16"			9/32"	1/2"	1/4"	1/16"	.048"
	086-557	3/4"			11/32"	5/8"	5/16"	1/16"	.048"
	086-558	13/16"			13/32"	3/4"	3/8"	1/16"	.048"
	086-559	7/8"			15/32"	7/8"	7/16"	1/16"	.048"
	086-560	15/16"			17/32"	1"	1/2"	1/16"	.048"

continued on next page...

Cable Clamps

Inch

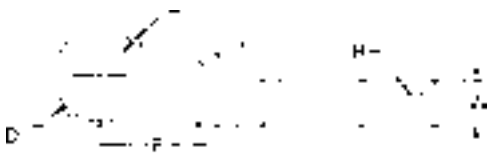
Colliers pour câbles

Pouce

NYLON because it's tough; resilient; light-weight; resistant to aging and most chemicals; excellent insulation.



**6/6
NYLON**
(Natural)



CABLE CLAMPS

SPAENAUR No. NYLON		All Dimensions Shown in Inches.					PKG QTY.
WHITE	BLACK	D	E	T	W	H	
086-F87-1Y		1/8	.315	.050	1/2	13/64	100
086-661		3/16	.425	.050	1/2	13/64	100
086-662	086-662BK	1/4	.410	.050	1/2	13/64	100
086-663	086-663BK	5/16	.500	.050	1/2	13/64	100
086-664	086-664BK	3/8	.530	.050	1/2	13/64	100
086-665		7/16	.560	.050	1/2	13/64	100
086-666	086-666BK	1/2	.595	.050	1/2	13/64	100
086-667	-	9/16	.606	.050	1/2	13/64	100
086-668	086-668BK	5/8	.665	.050	1/2	13/64	100
086-669		11/16	.755	.050	1/2	13/64	100
086-670	086-670BK	3/4	.780	.050	1/2	13/64	100
086-671		7/8	.845	.050	1/2	13/64	100
086-672		1	.910	.050	1/2	13/64	50
086-673		1-1/8	.970	.050	1/2	13/64	50
086-674		1-3/16	1.000	.050	1/2	13/64	50
086-675		1-1/4	1.060	.050	1/2	13/64	50
086-676		1-3/8	1.125	.050	1/2	13/64	50
086-677		1-1/2	1.190	.050	1/2	13/64	50

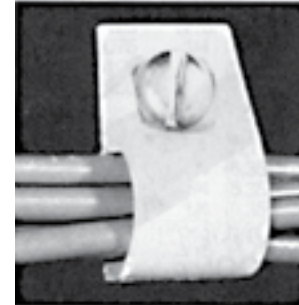
H



TYPE 6/6

**NYLON
HEAVY-DUTY
CABLE CLIPS**

NATURAL COLOUR

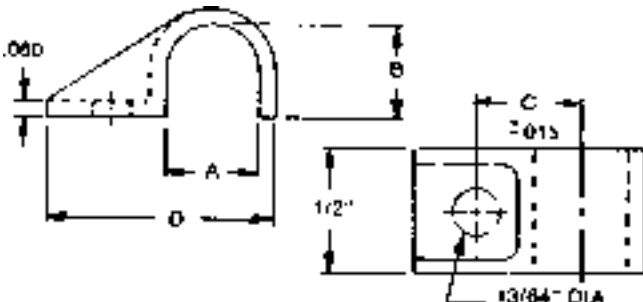


Nylon Heavy-Duty Cable Clamps are designed for cable and wire applications involving greater than usual loads or connections of critical nature.

The rugged clip has reinforced side flanges for additional strength and rigidity. Compact design allows this clip to be used on corners, edges, or where space is limited. Clip has hole for screw mounting.

Available in size range for 1/8" to 1/2" diameter cable.

GOOD ELECTRICAL INSULATION.



SPAENAUR No.	Description	Dimensions in Inches			
		A	B	C	D
086-680	1/8" Hvy.-duty Clip	.115	.115	.307	.675
086-681	3/16" Hvy.-duty Clip	.172	.172	.328	.732
086-F84-1X	1/4" Hvy.-duty Clip	.234	.234	.366	.793
086-683	5/16" Hvy.-duty Clip	.297	.297	.400	.859
086-684	3/8" Hvy.-duty Clip	.359	.359	.430	.910
086-685	7/16" Hvy.-duty Clip	.422	.422	.460	.980
086-686	1/2" Hvy.-duty Clip	.484	.484	.492	1.044

PKG QTY. 100

H24

Clamps & Straps / Securing Can Lid Clips

Inch

Pinces et sangles / Pincas de fixation

Pouce

STANDARD TUBE CLAMPS		SPAENAUR No.	TO FIT CABLE DIA.	WIDTH	LENGTH OVER-ALL	HOLE DIA.	THICKNESS OF STEEL
OPEN TYPE — MEDIUM DUTY							
Zinc Plated STEEL (*Zinc or Cad plated, our option)							
	086-F40-1K	*086-F78-1T	1/8"	3/8"	5/8"	.169"	.031"
		R-306	3/16"	3/8"	13/16"	7/32"	.035"
	086-F06-1W	086-F73-1A	1/4"	3/8"	3/4"	5/32"	.035"
		086-F40-1K	5/16"	1/2"	31/32"	7/32"	.048"
	086-F06-1W	086-F06-1W	3/8"	5/8"	1-3/32"	7/32"	.050"
		086-F39-1N	7/16"	5/8"	1-5/32"	9/32"	.050"
	086-F06-1W	R-308	1/2"	3/8"	1"	5/32"	.033"
		086-F83-1M	1/2"	5/8"	1-7/32"	9/32"	.060"
	086-F16-1T	086-F16-1T	9/16"	5/8"	1-9/32"	9/32"	.060"
		C-626	5/8"	5/8"	1-3/8"	7/32"	.060"
	086-F12-1P	086-F12-1P	5/8"	5/8"	1-3/8"	9/32"	.060"
		086-F25-1Y	3/4"	5/8"	1-9/16"	9/32"	.060"

PIPE and ROMEX STRAPS

2-HOLE TYPE STEEL—PRE-GALVANIZED

E.M.T.—Electric Metallic Tubing or Thinwall Conduit.
I.P.S.—Iron Pipe Size or Rigid Conduit.

No sharp edges.
Pipe or conduit size stamped on each strap.

SPAENAUR No.	Pipe or Conduit Size	A	B	C	D	E	F	K	PKG QTY.
C-772	Romex	.406"	.375"	5/8"	.028"	1-5/8"	1-3/16"	3/16"	100
C-773	1/4" I.P.S. & BX	.540"	.510"	5/8"	.029"	1-7/8"	1-1/4"	3/16"	100
C-775	3/8" I.P.S.	.675"	.645"	5/8"	.029"	2-1/32"	1-13/32"	3/16"	100
C-776	1/2" E.M.T.	.706"	.676"	5/8"	.029"	2-1/16"	1-7/8"	3/16"	50
C-777	1/2" I.P.S.	.840"	.810"	5/8"	.029"	2-7/16"	1-11/16"	3/16"	50
C-778	3/4" E.M.T.	.922"	.892"	3/4"	.035"	2-3/4"	1-7/8"	17/64"	50
C-779	3/4" I.P.S.	1.050"	1.020"	3/4"	.035"	2-7/8"	2-3/32"	17/64"	50
C-780	1" E.M.T.	1.164"	1.134"	3/4"	.035"	3-1/16"	2-19/64"	17/64"	25
C-781	1" I.P.S.	1.315"	1.285"	3/4"	.035"	3-9/64"	2-25/64"	17/64"	25
C-782	1-1/4" E.M.T.	1.510"	1.480"	7/8"	.048"	3-1/2"	2-5/8"	17/64"	25
C-783	1-1/4" I.P.S.	1.660"	1.630"	7/8"	.048"	4-11/16"	3-1/4"	17/64"	25
C-941	1-1/2" I.P.S.	1.900"	1.850"	1-1/4"	.062"	4-5/8"	3-17/64"	17/64"	25
C-942	2" I.P.S.	2.375"	2.325"	1-1/4"	.062"	5"	4-21/64"	17/64"	25
C-943	2-1/2" I.P.S.	2.875"	2.825"	1-1/4"	.062"	5"	4-5/8"	17/64"	10
C-944	3" I.P.S.	3.50"	3.450"	1-1/4"	.062"	6-3/8"	5-13/16"	17/64"	10
C-945	3-1/2" I.P.S.	4.00"	3.950"	1-1/4"	.062"	6-7/16"	5-13/16"	17/64"	10
C-946	4" I.P.S.	4.50"	4.450"	1-1/4"	.062"	6-5/8"	6"	17/64"	10

"NAIL-ON" CABLE STRAPS

Pre-assembled, Aluminum Straps and Nails
For supporting Electrical Cable.
Patented and C.S.A. approved.

C-768
For 14/2, 14/3, 12/2 Flex, Armoured Cable
PKG QTY. 50

"REAL TIME-SAVERS"

C-769
For 14/2, 12-2 Non-Metallic Cable
PKG QTY. 50

No. C-789
Fits pint (American Can Co.)
Fits 1/2 pint (Continental Can)
Approved by Canadian Postmaster General.

No. C-790
Fits 1/2 pint (American Can)
Fits quart (Continental Can)
Fits 1 litre

Makes lids secure despite roughest handling.

No. C-791
Fits gallon (American Can Co.)
Fits gallon (Continental Can)
Fits 4 litre

PKG QTY. 100

Inch

Cable Clamps

Pouce

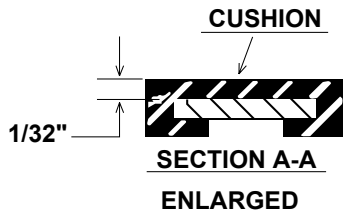
Colliers pour câbles

Lightweight - Insulated

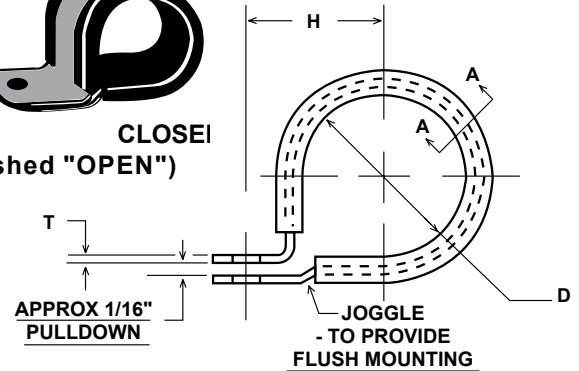
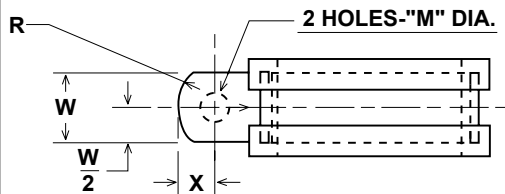
For

- **INDUSTRIAL USE**
- **AIR-CONDITIONING**
- **AUTOMOTIVE**
- **MARINE**

All clamps have uniform, 1/32" thick, grey, black or beige Polyvinyl Cushion (Temperature range - 25°F to +160°F.) and are resistant to gasolines, weathering, wear, and most chemicals.



(All Clamps Furnished "OPEN")



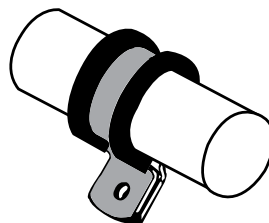
SPAENAUR No. Pre-Galvanized STEEL	Metal		Tube Dia. D	Holes to Tube Centre H	Hole Dia. M	Dimensions		End Radius R	PKG QTY
	Thick. T	Width W				W/2	X		
703-003	.040"	1/2"	3/16"	.455"	.203"	1/4"	7/32"	3/8"	100
703-004	.040"	1/2"	1/4"	.486"	.203"	1/4"	7/32"	3/8"	100
703-H01-1A	.040"	1/2"	5/16"	.517"	.203"	1/4"	7/32"	3/8"	100
703-006	.040"	1/2"	3/8"	.548"	.203"	1/4"	7/32"	3/8"	100
703-007	.040"	1/2"	7/16"	.580"	.203"	1/4"	7/32"	3/8"	50
703-008	.040"	1/2"	1/2"	.611"	.203"	1/4"	7/32"	3/8"	50
703-009	.040"	1/2"	9/16"	.642"	.203"	1/4"	7/32"	3/8"	50
703-010	.040"	1/2"	5/8"	.673"	.203"	1/4"	7/32"	3/8"	50
703-011	.020"	1/2"	11/16"	.705"	.203"	1/4"	7/32"	3/8"	50
703-012	.040"	1/2"	3/4"	.736"	.203"	1/4"	7/32"	3/8"	50
703-013	.025"	1/2"	13/16"	.772"	.203"	1/4"	7/32"	3/8"	50
703-H03-1A	.025"	1/2"	7/8"	.803"	.203"	1/4"	7/32"	3/8"	50
703-015	.025"	1/2"	15/16"	.835"	.203"	1/4"	7/32"	3/8"	25
703-016	.025"	1/2"	1"	.866"	.203"	1/4"	7/32"	3/8"	25
703-018	.040"	1/2"	1-1/8"	.928"	.203"	1/4"	7/32"	3/8"	25
703-020	.040"	1/2"	1-1/4"	.991"	.203"	1/4"	7/32"	3/8"	20
703-024	.040"	1/2"	1-1/2"	1.116"	.203"	1/4"	7/32"	3/8"	20
703-028	.032"	1/2"	1-3/4"	1.248"	.203"	1/4"	7/32"	3/8"	10
703-032	.054"	1/2"	2"	1.313"	.203"	1/4"	7/32"	3/8"	10

All clamps furnished "Open"

Three things to watch!

1. To properly inspect a clip or clamp, it should be installed on a bar or tube having an outside diameter equal to that of the tube or cable to be supported.

Following this procedure, the bolt holes will align. When the two ends are pulled together to the applicable gap shown on the drawing, all other dimensions will then be within tolerance.



2. Closing ends without first inserting tube or bar of proper diameter, holes do not align.



3. Closing ends without first inserting tube or bar of proper diameter, but forcing holes to align, an elliptical shape results.

See also page H25 for more clamps.

Tubing Clamps / Wire & Cable Clips

Inch

Colliers pour tubes / Pincettes pour fils et câbles

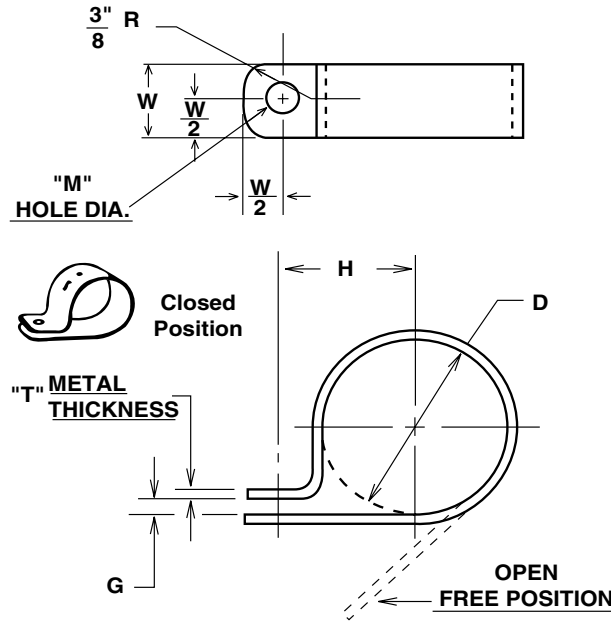
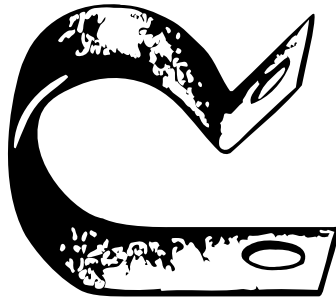
Pouce

Lightweight — Uninsulated

TUBING CLAMPS

For Commercial use

All Clamps
Furnished
"OPEN"
as shown
at right.



SPAENAUR No.		METAL		For Tube Dia. D	Holes (2) to Tube centre H	Gap. G	Holes (2) Dia. M	W/2	PKG QTY.
Pre-Galvanized STEEL	321 Stainless STEEL	Thickness T	Width W						
703-204	703-H02-1X	.031"	.032"	1/4"	.360"	.031"	.199"	3/16"	100
703-206	703-800	.031"	.032"	3/8"	.410"	.031"	.199"	3/16"	100
703-208	703-801	.031"	.032"	1/2"	.470"	.031"	.199"	3/16"	100
703-210		.031"	.064"	3/8"	.500"	.062"	.199"	3/16"	50
703-212		.031"	.064"	1/2"	.720"	.062"	.199"	1/4"	50
703-216		.031"	.064"	1/2"	.790"	.062"	.199"	1/4"	50
703-220		.031"	.064"	1/2"	1-1/4"	.093"	.199"	1/4"	25
703-224		.031"	.064"	1/2"	1-1/2"	.093"	.199"	1/4"	25
703-228		.031"	.064"	1/2"	1-3/4"	.093"	.199"	1/4"	10
703-232		.031"	.064"	1/2"	2"	.093"	.199"	1/4"	10

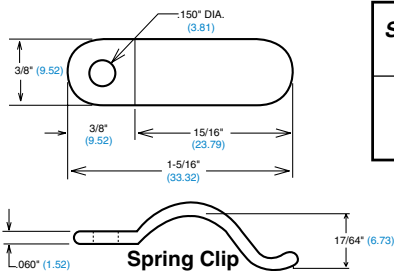
BOWDEN WIRE CLAMPS SPRING STEEL — ZINC PLATED

SPAENAUR No.	Clamping Diameter	PKG QTY.
086-434	7/8"	50
086-435	1"	50



White NYLON SPRING AND WIRE CLIP

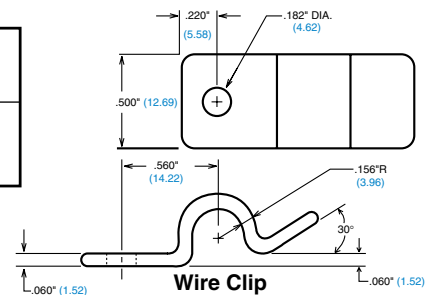
Spaenaur nylon Spring Clip and Wire Clip provide fast, secure assembly and routing of wires, standard round cable, flat cable and tubing. The Spring Clip can also be used to mount panels, glass, displays, or signs. To inspect, add or replace wires simply pull back clip to allow placement. The tough, flexible nylon clip will spring back to hold the material securely. All contact edges are rounded for product protection.



SPAENAUR No.	Description	Size
086-688	WIRE CLIP	1/2" x .312"
086-687	SPRING CLIP	3/8" x .132"

PKG QTY. 100

Inch (millimetre)



Inch

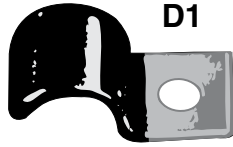
Tubing Half-Clips

Pouce

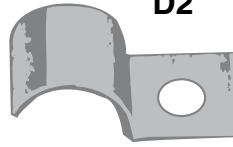
Demi-pinces pour tubes

“HALF” CLIPS

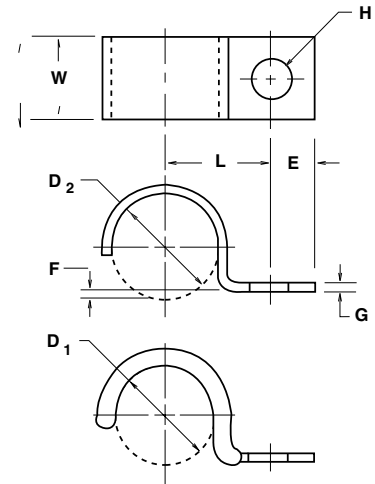
MATERIAL — Steel, SCR, C-1010
 FINISH — Zinc Plated or Hot Dipped Galvanized Steel - our option



D1
CUSHION—Black Vinyl,
 (P.V.C.)
 1/32" Thick



D2
NOT CUSHIONED



EXCEPT FOR CLAMPING DIAMETER, DIMENSIONS OF CUSHIONED AND PLAIN PARTS ARE IDENTICAL

CUSHIONED (Insulated)		NOT CUSHIONED (Non-insulated)		PKG QTY. 50					
D-1 Clamping Diameter	SPAENAUR No.	D-2 Clamping Diameter	SPAENAUR No.	H	L	W	E	F	G
				Diameter of Hole	Centre to Centre	Width	Hole Centre to End	Gap	Gauge
		3/16"	086-589	7/32"	7/16"	1/2"	1/4"	1/32"	.032"
3/16"	086-599	1/4"	086-F35-1A	7/32"	1/2"	1/2"	1/4"	1/16"	.032"
1/4"	086-F07-1M	5/16"	086-F40-1K	7/32"	1/2"	1/2"	1/4"	1/16"	.048"
5/16"	086-F23-1A	3/8"	086-F06-1W	7/32"	17/32"	5/8"	5/16"	1/16"	.048"
	086-602		086-F37-1Y	9/32"	17/32"	5/8"	5/16"	1/16"	.048"
3/8"	086-603	7/16"	086-592	7/32"	9/16"	5/8"	5/16"	1/16"	.048"
	086-F10-1X		086-F39-1N	9/32"	9/16"	5/8"	5/16"	1/16"	.048"
7/16"	086-605	1/2"	086-F14-1C	7/32"	5/8"	5/8"	5/16"	1/16"	.060"
	086-606		086-F83-1M	9/32"	5/8"	5/8"	5/16"	1/16"	.060"
1/2"	086-F05-1K	9/16"	086-594	7/32"	11/16"	5/8"	5/16"	1/16"	.060"
	086-F15-1N		086-F16-1T	9/32"	11/16"	5/8"	5/16"	1/16"	.060"
9/16"	086-609	5/8"	C-626	7/32"	3/4"	5/8"	5/16"	1/16"	.060"
	086-F48-1P		086-F12-1P	9/32"	3/4"	5/8"	5/16"	1/16"	.060"
5/8"	086-F67-1K	11/16"	086-595	7/32"	13/16"	5/8"	5/16"	1/16"	.060"
	086-F22-1X		086-F49-1Y	9/32"	13/16"	5/8"	5/16"	1/16"	.060"
11/16"	086-F80-1T	3/4"	086-597	7/32"	13/16"	5/8"	5/16"	1/16"	.060"
	086-614		086-F25-1Y	9/32"	13/16"	5/8"	5/16"	1/16"	.060"
3/4"	086-615	13/16"	086-F20-1W	7/32"	7/8"	5/8"	5/16"	1/16"	.060"
	086-F11-1A			9/32"	7/8"	5/8"	5/16"	1/16"	.060"

CATALOG 14
 SPAENAUR

