

Strap Hinges



Inch

Pentures

Pouce

Mr. No's 6511 and 6511SS

Weight: .59 lbs.

SPAENAUR No. 099-199
3.5" laminated hinge assembly supplied in 304 Series stainless steel.

Mr. No. 6521SS

Weight: .72 lbs.

SPAENAUR No. 099-201
5" laminated hinge assembly supplied in 304 Series stainless steel.

PKG QTY. 1

SPAENAUR No. 099-203
8" laminated hinge assembly supplied in 304 Series stainless steel.

Weight: 2.38 lbs.

Mr. No. 6532SS

PKG QTY. 1

Weight: 3.0 lbs.

SPAENAUR No. 099-207
12" laminated hinge assembly supplied in 304 Series stainless steel.

Mr. No's. 6542 and 6542SS

NOTE: All hinges shown on this page may be furnished with either 1-1/2" or 2" wide straps.

CATALOG 14 SPAENAUR

Inch

Strap Hinges / Flat Shims

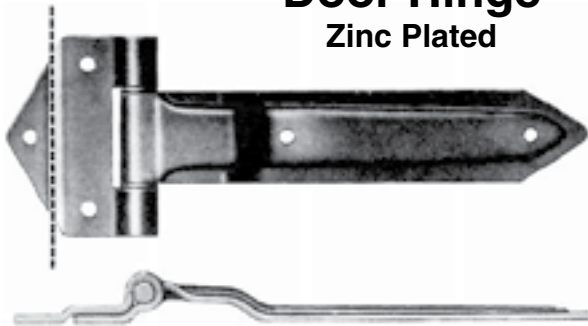
Pouce

Pentures / cales plates



Steel Door Hinge Zinc Plated

The hinges shown here are all 8" stamped steel hinges designed for flush mounting over door seals. All are equipped with hardened steel truss bearings to effectively carry the door loads . . . 180° door movement.



Has 7/16" clearance over the seal.
5 mounting holes, 11/32" dia.
Weight: 2 lbs., 3 oz. each.

Specifications:
#7 gauge hot rolled steel.

Dimensions:
8" centre of pin to end of strap.
3-1/16" centre of pin to end of butt plate.
4-1/2" butt plate width.
2" strap width.

When ordering specify Right-Hand or Left-Hand.

SPAENAUR No.	Mfr. #	Description
099-050	5889	Right-Hand

PKG QTY. 1

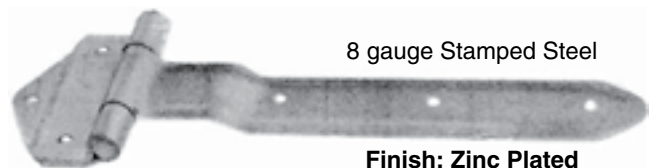


SPAENAUR No. 099-069

Steel, Zinc Plated
Use for all 099-050 to 099-058 hinges when 1/8" offset is required.

1/8" Shim
PKG QTY. 1

OVER THE SEAL HINGES — FLUSH



8 gauge Stamped Steel

Finish: Zinc Plated

Dimensions & Style:

Same as 099-050 above, but with longer strap. — 1/2" diameter steel pin will fit right or left.

PKG QTY. 1

SPAENAUR No.	Length of Strap	Mounting holes for 5/16" bolts
099-056	12"	
099-058	16"	

STEEL STRAP HINGES Plain and Zinc Plated

Style	Size		Gauge of Metal	SPAENAUR No. Finish	Total Screw Holes	Countersunk for Screw Size
	Length each Leaf	Width of Joint				
HEAVY STRAP with Riveted STEEL PIN	4"	1-1/2"	.083"	098-104 Zinc Plated	6	#9

See Pages B64 to B69 for Screws

Three Knuckle Pattern with RIVETED PIN STEEL or BRASS



PKG QTY. 1

Countersunk for Screw Attachment (Screws not included)

Strap Hinges

Inch

Pentures

Pouce



STAMPED STEEL 8 INCH HINGE

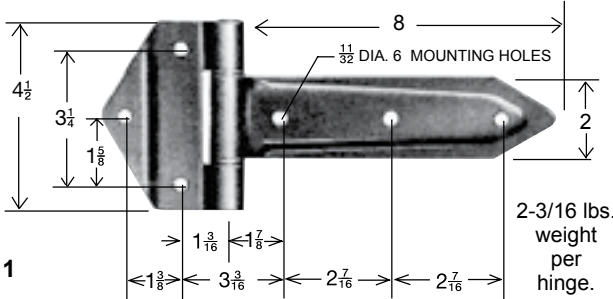
SPAENAUR No.

D-4034

(Mfr. #5869)

Zinc Plated Finish

Fits Right or Left-hand



PKG QTY. 1



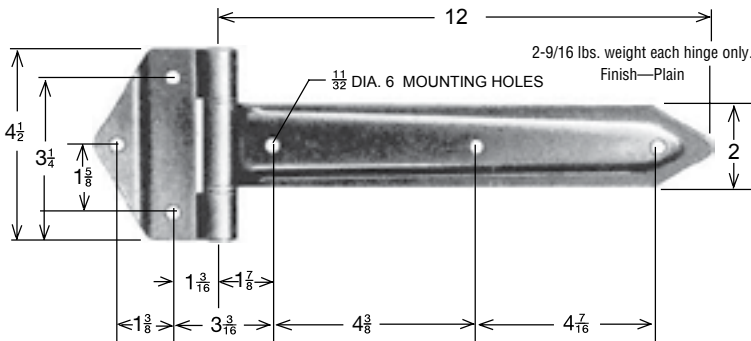
SPAENAUR No. 099-B30-1M

(Mfr. #5870)

PKG QTY. 1

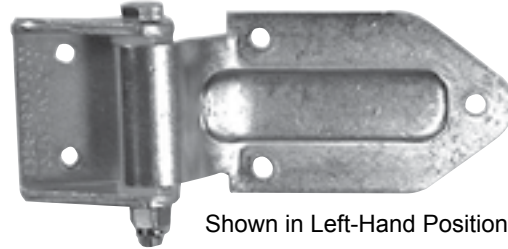
STAMPED STEEL 12 INCH HINGE

Zinc Plated Finish



STAMPED STEEL HINGE

For Small Access Doors



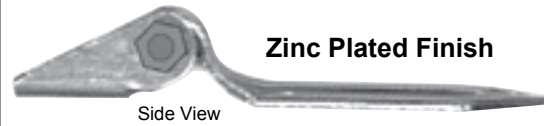
Shown in Left-Hand Position
Reverse Pin for Right-Hand

SPAENAUR No. 099-285

(Mfr. #5867-E1)

with removable pin

PKG QTY. 1



Zinc Plated Finish

Side View

5" stamped steel hinge for flush mounting. Has nylon sleeves bearing for easier operation. Door movement 180°.

Recommended uses:

For vent or small access doors.

Specifications:

#7 gauge steel butt.

#9 gauge steel strap.

5 mounting holes — 9/32" dia.

Weight: 1-1/10 lbs. each.

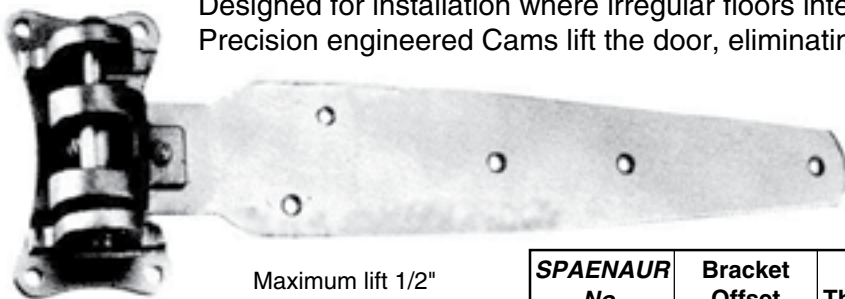
Dimensions:

5" center of pin to end of strap.

1-3/4" center of pin to end of butt plate.

2-5/8" strap width.

2-5/8" butt plate width.



Designed for installation where irregular floors interfere with operation of doors. Precision engineered Cams lift the door, eliminating sag.

Reversible

For Right or Left

Finish — Heavy Zinc Plated

PKG QTY. 1

Maximum lift 1/2"

Strap: — Steel with 1/4" Countersunk Holes.

Cam — Malleable Iron 9/16" steel pin.

Bracket — Malleable Iron -

7-1/2" high x 4" wide, Drilled for 3/8" Bolts.

SPAENAUR No.	Bracket Offset	STRAP SIZE			Wt. (lbs.)
		Thickness	Width	Length	
099-101	1-1/4"	.166"	4"	21"	9-1/4
099-102	1-5/8"	.166"	4"	21"	9-1/4
099-103	1-1/8"	1/4" H.D.	4"	21"	10-1/2
099-104	1-1/4"	1/4" H.D.	4"	21"	10-1/2

Inch

Heavy Strap & Heavy Tee Hinges

Pouce

Pentures et charnières robustes

HEAVY STRAP HINGES

SPUN (RIVETED) PINS

STEEL - ZINC PLATED

Countersunk for Screw Attachment
(Screws not included)



PKG QTY. 1

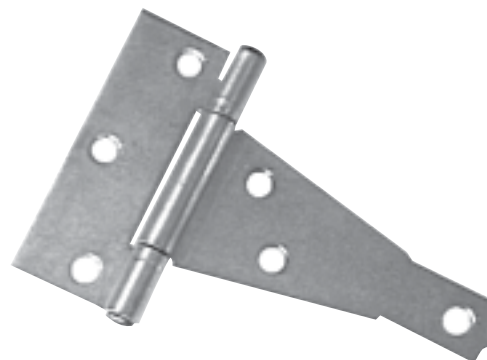
Zinc Plated Finish SPAENAUR No.	Size		Gauge of Metal	Total Screw Holed	Countersunk for Screw Size	STEEL Pin Dia.
	Length Each Left	Width of Joint				
098-190	4"	1.875"	.090"	6	#9	.250"
098-191	6"	2.548"	.120"	8	#10	.332"
098-192	8"	3.050"	.134"	8	#10	.375"
098-193	10"	3.515"	.134"	8	#12	.437"

HEAVY "T" HINGES

WITH SPUN (RIVETED) PINS

STEEL - ZINC PLATED

Countersunk for Screw Attachment
(Screws not included)



PKG QTY. 1

Zinc Plated Finish SPAENAUR No.	Length of Strap	Width of Strap at Joint	Width of Pad	Length of Joint	Gauge of Metal	Total Screw Holes	Countersunk for Screw Size	STEEL Pin Dia.
098-194	4"	1.875"	1.400"	3.50"	.090"	6	#9	.250"
098-195	6"	2.548"	1.700"	4.50"	.120"	8	#10	.332"
098-196	8"	3.050"	2.000"	5.50"	.134"	8	#10	.375"
098-197	10"	3.515"	2.250"	6.50"	.134"	9	#12	.437"

CATALOG 14 SPAENAUR