

Inch

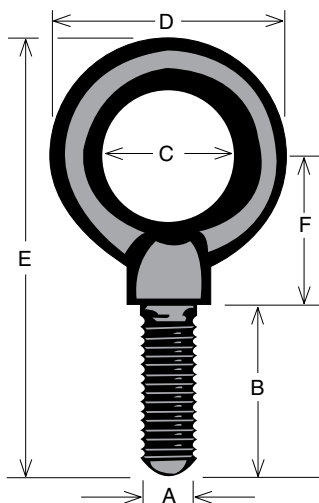
Eye Bolts

Pouce

Boulons à ceil

SHOULDER TYPE EYE BOLTS

**FORGED / 1030 STEEL / HEAT TREATED
Self-Coloured**



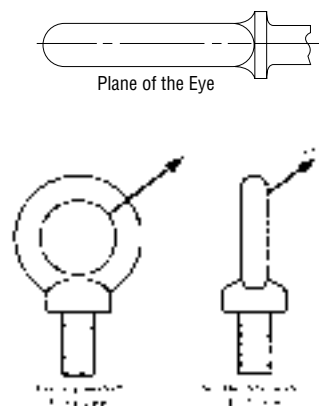
ASME B18.15

SHANKS FULL THREADED TO WITHIN 1/8" - 3/8" OF SHOULDER.

Class 2A (UNC-2A) (COARSE THREAD)

**WARNING:
APPLIES TO
EYE BOLTS & EYE NUTS**

Safe working load is drastically reduced when loading at an angle. Loading must never be made at an angle greater than 45° from bolt or nut centreline.



SPAENAUR No.	(A) Thread Size	(B) Shank Length	(C) Eye I.D.	(D) Nom Eye O.D.	(E) Overall Length	(F) Centre Of Eye To Shoulder	PKG QTY.
EYB-3	1/4-20	1.00	0.50	0.94	2.20	0.70	10
EYB-4	1/4-20	1.00-1.06	0.69-0.81	1.19	2.22-2.53	0.69-0.81	10
EYB-5	5/16-18	1.125	.625	1.19	2.50	0.875	10
024-T38-1X	5/16-18	1.12-1.19	0.81-0.94	1.44	2.66-2.97	0.88-1.00	10
EYB-7	3/8-16	0.75	1.00	1.69	2.81	1.20	10
EYB-8	3/8-16	1.25	0.75	1.44	2.97	1.00	10
EYB-9	3/8-16	1.25-1.38	0.94-1.06	1.69	3.09-3.47	1.06-1.19	10
EYB-10	7/16-14	1.38-1.50	1.00-1.12	1.81	3.41-3.78	1.19-1.31	10
EYB-11	1/2-13	1.50	1.00	1.94	3.75	1.28	5
EYB-12	1/2-13	1.50-1.62	1.12-1.25	2.12	3.81-4.19	1.31-1.44	5
EYB-13	9/16-12	1.75-1.88	1.31-1.44	2.56	4.56-4.94	1.59-1.72	5
EYB-14	5/8-11	1.75-1.88	1.31-1.44	2.56	4.56-4.94	1.59-1.72	5
EYB-15	3/4-10	2.00-2.12	1.44-1.56	2.81	5.06-5.50	1.72-1.91	5
EYB-16	7/8-9	2.25-2.38	1.56-1.69	3.19	5.75-6.19	2.03-2.22	1
EYB-17	1-8	2.50-2.62	1.69-1.81	3.56	6.44-6.88	2.22-2.41	1
EYB-18	1-1/8-7	2.75-2.88	1.94-2.06	4.06	7.31-7.75	2.59-2.78	1
EYB-19	1-1/4-7	3.00-3.12	2.12-2.25	4.44	8.00-8.44	2.84-3.03	1
EYB-20	1-1/2-6	3.50-3.62	2.44-2.56	5.19	9.22-9.72	3.19-3.44	1
EYB-40	1-3/4-5	3.75-3.88	2.75-3.00	6.00	10.50-11.12	3.88-4.12	1

-Special Stock Sizes -

▲024-044	1/4-20	2.00	0.50	0.94	3.19	0.75	10
●024-022	1/2-13	6.00	1.00	1.938	8.00	1.25	5

▲ No. 024-044 Hot Galvanized Finish. 1" Thread Length.

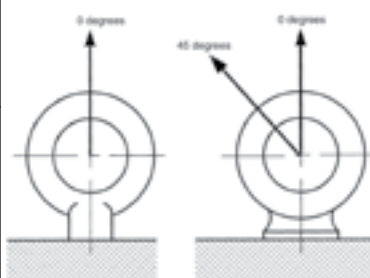
● Hot Galvanized Finish. 2" Thread Length.

Self-coloured finish except:

Plain Pattern (Straight Shank) Eyebolt

Showing Rated Capacity in lbs. at 0° (for ref. only)

Nominal Size	Rated Cap. in lbs. 0 degrees
1/4	400
5/16	680
3/8	1,000
7/16	1,380
1/2	1,840
9/16	2,370
5/8	2,940
3/4	4,340
7/8	6,000
1	7,880
1-1/8	9,920
1-1/4	12,600
1-1/2	18,260
1-3/4	24,700
2	32,500
2-1/2	52,000



Shoulder Pattern Eyebolt

Showing Rated Capacity in lbs. at 0° and 45° (for ref. only)

Nominal Size	Rated Capacity in lbs. 0 degrees	45 degrees
1/4	400	NR
5/16	680	NR
3/8	1,000	220
7/16	1,380	330
1/2	1,840	520
9/16	2,370	700
5/8	2,940	890
3/4	4,340	1,310
7/8	6,000	1,910
1	7,880	2,630
1-1/8	9,920	3,840
1-1/4	12,600	4,125
1-1/2	18,260	6,040
1-3/4	24,700	8,250
2	32,500	10,910

NR - no rating

Note: All Eye Bolts and Eye Nuts, whether in blanks or fully machined, as shown on page B269, are covered by our standard warranty. The warranty becomes VOID whenever modifications are made or further machining is done by the buyer, also in cases where these items are subject to an angular lift or pull.

CATALOG 14 SPAENAUR

Eye Bolts

Inch

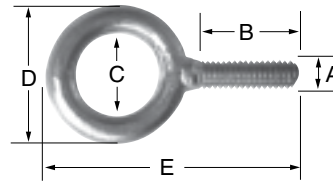
Boulons à œil

Pouce

B

**304 STAINLESS STEEL
EYE BOLTS, Forged**

Plain Type



SPAENAUR No. PLAIN TYPE	A Thread Size UNC-2A	B Length of Shank	C Eye		E Overall Length	Approx. Lbs. per 100 Pcs.	Rated Capacity Lbs.	PKG QTY.
			I.D.	O.D.				
024-894	1/2"-13	1-1/2"	1-3/1"	2-1/8"	4"	42.0	2150	1

(without nut)

**316 STAINLESS FORGED
EYE BOLTS**

**Drop Forged - Plain Finish
Shoulder Type**



Maximum load rating for eyebolts are based on a straight vertical lift (x) in a gradually increasing manner. Angular lifts will significantly lower maximum loads and should be avoided whenever possible. If an angular lift is required (y), a properly seated Shoulder eyebolt must be used. Loads should always be applied to eyebolts in the plane of the eye, not at some angle to this plane. Angular lifts must never be more than a 45° pull.

Vertical loads are based on safety factor of 5 to 1.

SPAENAUR No.	Thread Size UNC	Length of Shank	Eye		Overall Length Min./Max.	Max. Safe Working Load Lbs.	PKG QTY.
			I.D.	O.D.			
024-832	1/4"-20	1"	3/4"	1-1/4"	2-7/32/2-17/32"	500	1
024-833	5/16"-18	1-1/8"	7/8"	1-1/2"	2-21/32/2-31/32"	900	1
024-834	3/8"-16	1-1/4"	1"	1-21/32"	3-3/32/3-15/32"	1400	1
024-835	1/2"-13	1-1/2"	1-3/16"	2-1/16"	3-13/16/4-3/16"	2600	1
024-836	5/8"-11	1-3/4"	1-3/8"	2-1/2"	4-9/16/4-15/16"	4000	1
024-837	3/4"-10	2"	1-1/2"	2-13/16"	5/5-1/2"	6000	1

Angular lifts should be avoided whenever possible.

Note: All Eye Bolts and Eye Nuts, whether in blanks or fully machined, as shown on pages B267 to B274, are covered by our standard warranty. The warranty becomes VOID whenever modifications are made or further machining is done by the buyer, also in cases where these items are subject to an angular lift or pull.

Inch

Eye Bolt Assemblies / Eye Nuts

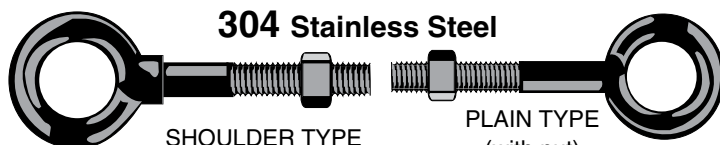
Pouce

Ensembles de boulons à œil / Écrous à œil

STAINLESS FORGED EYE BOLTS

PLAIN & SHOULDER STYLE

304 Stainless Steel



SHOULDER TYPE
(with nut)

PLAIN TYPE
(with nut)

Supplied with standard UNC-2A threads and heavy hex nuts.

Applications in the following industries:

- Food Processing
- Chemical
- Pulp & Paper
- Nuclear
- Marine
- Sewage Disposal
- Petroleum
- Aircraft

SPAENAUR No.		Diameter & Length of Shank	Eye I.D.	Eye O.D.	Min. Thread Length	Approx. Lbs. per 100 Pcs.	Rated Capacity Lbs.
PLAIN TYPE (with nut)	SHOULDER TYPE (with nut)						
024-800	024-810	3/8" x 4-1/2"	3/4"	1-1/2"	1-1/2"	25	1160
024-T02-1X	*024-811	1/2" x 4-1/2"	1"	1-15/16"	2"	41	2150
024-802	024-812	1/2" x 6"	1"	1-15/16"	2"	42	2150
024-803	—	5/8" x 4"	1-3/8"	2-1/2"	2-1/4"	82	3440
024-804	024-814	5/8" x 6"	1-3/8"	2-1/2"	2-1/4"	98	3440
024-805	—	3/4" x 4-1/2"	1-1/2"	2-13/16"	2-1/2"	128	5140
024-806	024-816	3/4" x 6"	1-1/2"	2-13/16"	2-1/2"	138	5140
024-807	—	7/8" x 6"	1-11/16"	3-1/4"	2-1/2"	214	7000
024-808	024-817	1" x 6"	1-13/16"	3-9/16"	3"	280	9370

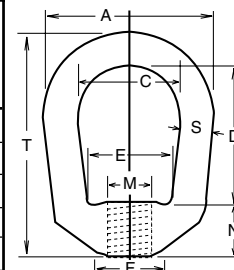
PKG QTY. 1

*316 Stainless Steel, 1-1/2" Thread Lgth.

Drop-forged Eye Nuts

1035 Steel Self-coloured Finish and 316 Stainless Steel Plain Finish

SPAENAUR No's.		TAP SIZES		SPECIFICATION IN INCHES							MAX. LOAD TONS
1035 Steel	Stainless Steel 316	STD. M	N	A	C	D	E	F	S	T	
024-047	024-850	1/4"-20	3/8"	1-1/4"	3/4"	1-1/16"	19/32"	1/2"	1/4"	1-11/16"	.26
024-048	024-851	5/16"-18	3/8"	1-1/4"	3/4"	1-1/16"	19/32"	1/2"	1/4"	1-11/16"	.42
024-049	—	3/8"-16	7/16"	1-5/8"	1"	1-1/4"	3/4"	9/16"	5/16"	2-1/16"	.62
—	024-852	3/8"-16	1/2"	2"	1-1/4"	1-1/2"	1"	13/16"	3/8"	2-1/2"	1.12
024-050	—	7/16"-14	5/8"	2"	1-1/4"	1-1/2"	1"	13/16"	3/8"	2-1/2"	.85
024-051	024-849	1/2"-13	5/8"	2"	1-1/4"	1-1/2"	1"	13/16"	3/8"	2-1/2"	1.12
024-052	024-853	5/8"-11	3/4"	2-1/2"	1-1/2"	2"	1-3/16"	1"	1/2"	3-3/16"	1.8
024-053	024-854	3/4"-10	7/8"	3"	1-3/4"	2-3/8"	1-3/8"	1-1/8"	5/8"	3-7/8"	2.6
024-054	—	7/8"-9	1"	3-1/2"	2"	2-5/8"	1-5/8"	1-5/16"	3/4"	4-5/16"	3.6
024-055	—	1"-8	1"	3-1/2"	2"	2-5/8"	1-5/8"	1-5/16"	3/4"	4-5/16"	3.6



Drilled and Tapped UNC-2B

Contact Sales Desk For Package Quantities

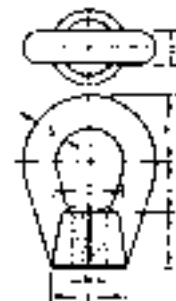
HEAVY DUTY Drop Forged Eye Nuts

C1035 Steel

Self-coloured Finish

SPAENAUR No.	SPECIFICATIONS IN INCHES										MAX. LOAD TONS
	C	S	D	M	F	E	G	H	T		
024-011	1-1/2"	3/4"	3/4"	3/4"-10	1-3/4"	1-1/4"	1-1/8"	1-1/2"	3-7/8"	5.3	
024-010	1-3/4"	1"	1"	1"-8	2-1/4"	1-5/8"	1-1/4"	1-7/8"	4-3/4"	9.4	
024-056	1-3/4"	1"	1"	1-1/8"-7	2-1/4"	1-5/8"	1-1/4"	1-7/8"	4-3/4"	9.4	
024-057	2"	1-1/4"	1-1/4"	1-1/4"-7	2-7/8"	1-7/8"	1-3/8"	2-1/4"	5-1/2"	14.7	
024-058	2-1/2"	1-3/8"	1-3/8"	1-1/2"-6	3-1/8"	2-1/8"	1-3/4"	2-5/8"	6-1/2"	17.8	

PKG QTY. 1



Note: All Eye Bolts and Eye Nuts, whether in blanks or fully machined, as shown on page B267, are covered by our standard warranty. The warranty becomes VOID whenever modifications are made or further machining is done by the buyer, also in cases where these items are subject to an angular lift or pull.

Eye Bolts / Eye Nuts

Metric

Boulons à œil / Écrous à œil

Métrique

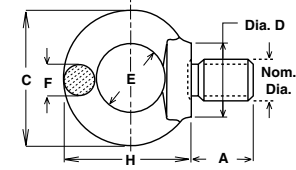


Regular (COARSE) Metric Thread

Drop Forged Eye Bolts

CONFORMING TO **DIN 580**

C15 Carbon Steel - Heat Treated Plain Finish



▲Not to DIN *Calculated Pull Capacity

B

SPAENAUR No.	NOMINAL DIAMETER mm	PITCH mm	*Max. Pull capacity in kg		DATA IN mm						PKG QTY.
			for 1 Bolt	total for 2 Bolts	A	C	D	E	F	H	
* 026-021	M6	1.00	70	50	13	36	20	20	—	—	10
* 026-021ZP (Zinc Pltd.)	M6	1.00	70	50	13	36	20	20	—	—	10
026-001	M8	1.25	140	95	13	36	20	20	8	36	10
026-002	M10	1.50	230	170	17	45	25	25	10	45	10
026-003	M12	1.75	340	240	20.5	54	30	30	12	53	10
026-004	M16	2.00	700	500	27	63	35	35	14	62	5
026-005	M20	2.50	1200	830	30	72	40	40	16	71	5
026-006	M24	3.00	1800	1270	36	90	50	50	20	90	5
*▲026-022ZP (Zinc Pltd.)	M27	3.00	2180	1500	38	90	50	50	20	90	1
026-007	M30	3.50	3600	2600	45	108	65	60	24	109	1
026-008	M36	4.00	5100	3700	54	126	75	70	28	128	1
026-009	M42	4.50	7000	5000	63	144	85	80	32	147	1
026-010	M48	5.00	8600	6100	68	166	100	90	38	168	1
026-023	M56	5.50	11500	8300	78	184	110	100	42	187	1
026-024	M64	6.00	16000	11000	90	206	120	110	48	208	1

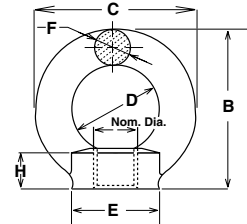


Regular (COARSE) Metric Thread

Drop Forged Eye Nuts

CONFORMING TO **DIN 582**

C15 Carbon Steel - Heat Treated Plain Finish



*Calculated Pull Capacity

SPAENAUR No.	NOMINAL DIAMETER mm	PITCH mm	*Max. Pull Capacity in kg		DATA IN mm						PKG QTY.
			for 1 Nut	total for 2 Nuts	B	C	D	E	F	H	
* 026-028	M6	1.00	70	50	18	36	20	20	8	8.5	10
026-011	M8	1.25	140	95	36	36	20	20	8	8.5	10
026-011ZP (Zinc Pltd.)	M8	1.25	140	95	36	36	20	20	8	8.5	10
026-012	M10	1.50	230	170	45	45	25	25	10	10	10
026-013	M12	1.75	340	240	53	54	30	30	12	11	10
026-014	M16	2.00	700	500	62	63	35	35	14	13	5
026-015	M20	2.50	1200	830	71	72	40	40	16	16	5
026-016	M24	3.00	1800	1270	90	90	50	50	20	20	5
026-016ZP (Zinc Pltd.)	M24	3.00	1800	1270	90	90	50	50	20	20	5
026-017	M30	3.50	3600	2600	109	108	60	65	24	25	1
026-M01-1P	M36	4.00	5100	3700	128	126	70	75	28	30	1
026-019	M42	4.50	7000	5000	147	144	80	85	32	35	1

***WARNING:** Lifting eye nuts and bolts must always be tightened so that they bear solidly on the surface they contact. Loads at right angles to the plane of the eye are prohibited. When a specified position in relation to an axis, edge or the like is specified for the lifting eye nut/bolt when screwed in/on, shims should be used if necessary in order to rule out unacceptable loading. The loading values specified apply solely to the use of lifting eye bolts/nuts according to the present Standard on workpieces made of steel, cast steel or grey cast iron. When the lifting eye nuts are used on a metric bolt thread of medium tolerance class, the thread length must be no less than 0.8 nom. dia. and the tensile strength of the bolt not in excess of 500 N/mm².

Inch

Eye Bolts

Pouce

Boulons à ceil

ROD END EYEBOLTS

Threaded and drilled
or
Furnished in 'Blanks'

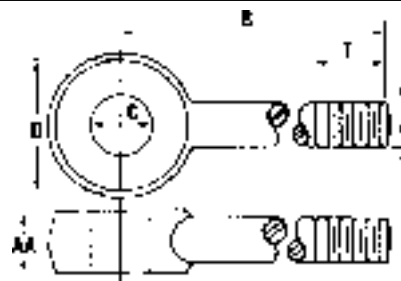
Sizes to meet your needs!



Finish: Self-colour

SUGGESTED APPLICATIONS

- Space adjustment in machinery
- Tie-downs
- Swing bolts for heavy covers
- Linkage adjustment



B

C1030-C1035 Steel Forged							C1030-C1035 Steel Forged-Blanks							
SPAENAUR No.	A	B	T	C	D	AA	SPAENAUR No.	A	D	AA	App. Wgt. in lbs. per 100. Blanks Only Fully Mach.		PKG QTY.	
	U.N.C. Thread Size	Ctr. of Eye to End	Approx. Thread Length	Hole Size	Head Dia.	Thick		Shank Dia.	Head Dia.	Head Thick.				
With Threaded Shank and Drilled Head							BLANKS: Shanks Not Threaded Heads Not Drilled							
024-401	1/4"-20	1-1/4	1"	1/4"	.535"	9/32"	1/4"				2.7	10		
024-402		1-3/4"	1-1/4"		.535"	9/32"					3.7	10		
024-403		2-1/2"	2-1/4"		.535"	9/32"					4.2	10		
024-T39-1A		2-7/8"	2-5/8"		.535"	9/32"								
024-406	5/16"-18	1-3/4"	1-3/8"	5/16"	11/16"	5/16"	024-452	5/16"	11/16"	5/16"	7	6.7	10	
024-T46-1T		4"	3-5/8"	5/8"	5/16"	5/16"	024-405		5/8"	5/16"	11	10.7	5	
024-411	3/8"-16	1-1/2"	1-1/8"	3/8"	.750"	7/16"	024-408	3/8"	11/16"	7/16"	8	7.7	5	
024-412		3"	2-1/2"		.750"	7/16"	024-409				13	12.7	5	
024-413		4-1/2"	4-1/8"		.750"	7/16"	024-410				16	15.7	5	
024-419	1/2"-13	1-5/16"	7/8"	1/2"	15/16"	9/16"	1/2"	15/16"	9/16"		17.6	5		
024-420		1-3/4"	1-5/16"		15/16"	9/16"					024-414	19	18.6	5
024-421		3-1/8"	2-9/16"	15/16"	9/16"	024-415					28	27.6	1	
024-422		6"	3"	15/16"	9/16"	024-416					40	39.4	1	
024-423		12"	6"	15/16"	9/16"	024-417					80	79.5	1	
024-424		3-3/4"	3"	1-1/8"	1/2"	1/2"					25.5	1		
024-425	4-13/16"	4-1/4"	1-1/8"	1/2"										
024-429	5/8"-11	2"	1-7/16"	5/8"	11/16"	11/16"	024-426	5/8"	1-3/16"	11/16"	40	38.5	1	
024-430		6"	3"		1-3/16"	11/16"	024-427				76	75.4	1	
024-431		12"	6"		11/16"	11/16"	024-428				127	125	1	
024-436	3/4"-10	2"	1-5/16"	3/4"	13/16"	13/16"	3/4"	1-7/16"	13/16"	13/16"	100	98.5	1	
024-437		4-3/4"	4"		13/16"	13/16"					024-433	110	108.5	1
024-438		6"	3"		1-7/16"	13/16"					024-434	109.5	1	
024-453		8"	6-1/2"		13/16"	13/16"					024-435	187	185.5	1
024-T54-1P		12"	6"		13/16"	13/16"								
024-443	7/8"-9	2"	1-3/16"	7/8"	15/16"	15/16"	024-440	7/8"	1-11/16"	15/16"	120	118	1	
024-444		6"	3"		1-11/16"	15/16"	024-441				156	154	1	
024-445		12"	6"		15/16"	15/16"	024-442				256	253	1	
024-449	1"-8	3"	2"	1"	2"	1"	024-446	1"	2"	1"	300	297	1	
024-450		6"	3"		1"	2"	024-447				352	349	1	
024-451		12"	6"		1"	2"	024-448				424	421	1	

Standard Forging Tolerances.
Also available 4140 and 8620 Alloy Steel special order.

Note: All Rod End Eyebolts, whether in Blanks or fully machined, as detailed above, are covered by our standard warranty which appears in the front of this book. The warranty becomes **VOID** whenever modifications are made or further machining is done by the buyer, also in all cases where these items are subjected to an angular lift or pull.

More Rod Ends on pages B272 & E81.

CATALOG 14

SPAENAUR

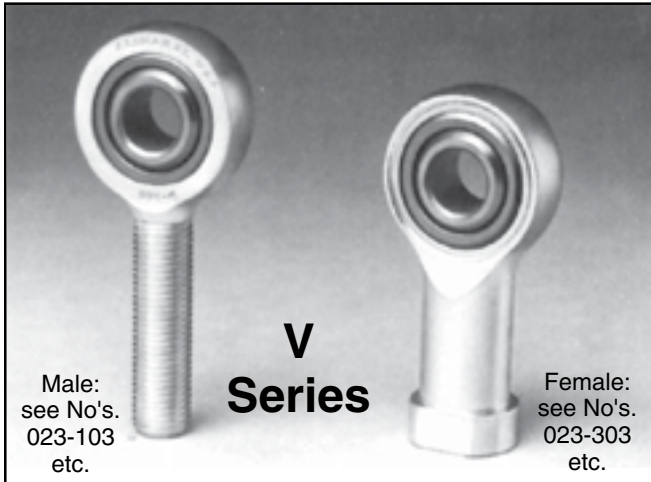
Ball Joint Rod Ends

Inch

Embouts de biellette à rotule

Pouce

B



Male:
see No's.
023-103
etc.

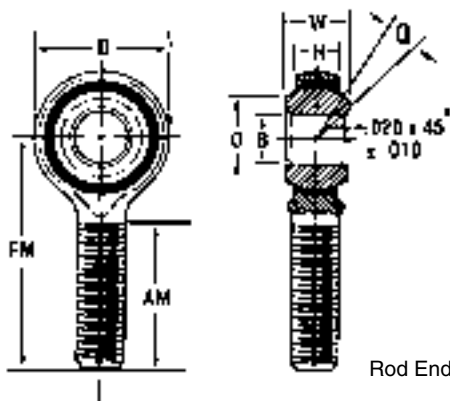
V Series

Female:
see No's.
023-303
etc.

**V SERIES • MAINTENANCE-FREE CONSTRUCTION
• SELF LUBRICATING • PLATED STEEL HOUSING
• PHOSPHOR BRONZE RACE • HARDENED PLATED
STEEL BALL**

Alinabal V Series rod ends combine a plated case hardened steel ball with self-lubricated sintered phosphor bronze race secured permanently in a mild steel, plated housing. This combination assures reduced frictional wear for longer life and superior resistance to corrosion.

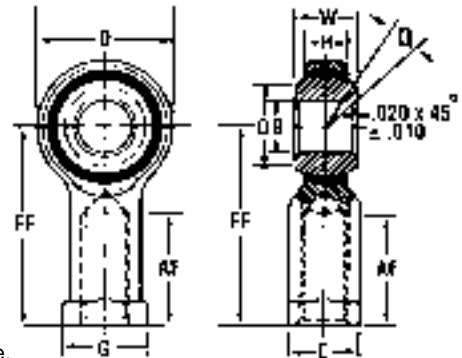
V Series rod ends have been found to fulfill the widest range of applications and are an excellent general purpose rod end.



ROD ENDS in other styles materials and finish, or, 'with grease fittings', are available on "Special Order" basis. Allow us to quote on your needs.

PKG QTY. 1

Rod Ends with Bearings furnished in Male or Female.
See chart below.



Spaenaur No.				DIMENSIONS IN INCHES													Ultimate (Radial) Static Load Rating (lbs.)			
LEFT-HAND		RIGHT-HAND		Thread Class	B	W	H	AM	FM	AF	FF	D	G	E	O	Ball Dia.	Q	Approx. Wt. (lbs.)	Male	Female
Male	Female	Male	Female																	
023-119	023-317	023-103	023-303	10-32	.1900	.312	.250	.750	1.250	.562	1.062	.750	.406	.312	.296	.430	±11°	.04	1,600	1,800
023-117	023-314	023-104	023-304	1/4"-28	.2500	.375	.281	1.000	1.562	.750	1.312	.750	.468	.375	.346	.510	±13°	.05	2,250	2,300
023-120	023-313	023-105	023-305	5/16"-24	.3125	.437	.344	1.250	1.875	.750	1.375	.875	.500	.437	.438	.618	±11°	.08	2,850	2,900
023-114	023-316	023-106	023-306	3/8"-24	.3750	.500	.406	1.250	1.938	.937	1.625	1.000	.687	.562	.508	.713	±10°	.12	3,900	4,300
—	—	023-107	023-307	7/16"-20	.4375	.562	.437	1.375	-	1.062	1.812	1.125	.750	.625	.578	.806	±12°	.17	-	5,350
023-115	023-318	—	—	7/16"-20	.4375	.562	.437	1.375	2.125	1.062	1.812	1.250	.750	.625	.578	.806	±12°	.17	5,300	5,350
023-116	023-319	023-108	023-308	1/2"-20	.5000	.625	.500	1.500	2.438	1.187	2.125	1.312	.875	.750	.690	.931	±10°	.27	7,400	8,400
023-118	023-320	023-110	023-310	5/8"-18	.6250	.750	.562	1.625	2.625	1.500	2.500	1.500	1.000	.875	.801	1.098	±12°	.40	9,350	9,550
023-121	023-315	023-112	023-312	3/4"-16	.7500	.875	.687	1.750	2.875	1.750	2.875	1.750	1.125	1.000	1.010	1.336	±10°	.62	10,450	10,500

MATERIALS

Housing - Low carbon steel - plated for corrosion resistance.

Race - Sintered bronze - oil impregnated.

Ball - Low carbon steel - case hardened - plated for corrosion resistance and wear

Temperature Range: -35°C to +150°C (-30°F to +300°F)

More Rod Ends on pages B271 & E81.

B272

© 2018 Spaenaur Inc. All rights reserved. Catalog may not be reproduced, in whole or in part, without the written permission of Spaenaur Inc. Subject to Catalog Terms and Conditions of Use available at Spaenaur.com and on page TC2 and TC3 at the back of this catalog.
© 2018 Spaenaur Inc. Tous droits réservés. Le catalogue ne peut être reproduit, en tout ou en partie, sans l'autorisation écrite de Spaenaur Inc. L'utilisation est soumise aux Conditions d'utilisation du Catalogue disponibles sur Spaenaur.com et à la page TC4 et TC5 à la fin de ce catalogue.

Inch

Eye Bolt Assemblies / Lag Screw Eyes / Screw Eye Bolts

Pouce

Ensembles de boulons à œil / Cèllets de tire-fond / Boulons à œil de vis

STEEL

Bent Eye Bolts

ZINC PLATED
(Clear Chromate Finish)

Available as — Eye Bolts with Nuts, Eye Bolts only and Nuts only.



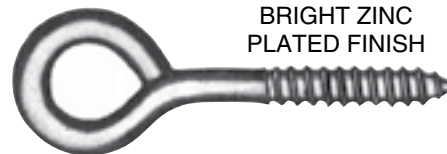
B

EYE BOLTS with NUTS		EYE BOLTS ONLY		EYE BOLT DIMENSIONAL DATA					NUTS ONLY	
SPAENAUR No. (Bolt with Nut)	PKG QTY.	SPAENAUR No. (Bolt Only)	PKG QTY.	Thread	Shank Length	Thread Length	Overall Length	I.D. Eye	SPAENAUR No. (Nut Only) ASME B18.2.2	PKG QTY.
Dimensions are approximate.										
EYB-1	10	024-063	50	10-24	2"	1-7/8"	2-3/4"	3/8"	155-P08-1T	100
EYB-23	10	024-023	50		2"	2"	2-3/4"	3/8"	155-P08-1T	100
EYB-43	10	024-043	50		1-1/4"	1-1/8"	2"	3/8"	155-P08-1T	100
					2-1/4"	2"	3"	3/8"	155-P08-1T	100
024-046-A	10	024-045	50	1/4"-20	1-1/2"	1-3/8"	2-1/2"	9/16"	155-P06-1C	100
EYB-24B	10	024-060	50		1-7/8"	1-1/2"	2-5/8"	3/8"	155-P06-1C	100
024-T55-1Y	10	024-T40-2X	50		2-1/8"	2"	3"	1/2"	155-P06-1C	100
EYB-25A	10	024-T41-2A	50		3-1/8"	2-1/2"	4"	3/8"	155-P06-1C	100
EYB-26A	10	024-027 024-028 024-T45-1N	25 25 25	5/16"-18	2-1/8"	2"	3-1/4"	1/2"	B-92	100
EYB-27	10				2-7/8"	2-3/4"	4"	1/2"	B-92	100
EYB-28	10				3-7/8"	3"	5"	1/2"	B-92	100
					2-1/8"	5"	3-1/4"	1/2"	B-92	100
EYB-29	10	024-029	25	3/8"-16	2-1/4"	2"	4"	1"	B-93	100
EYB-30	10	024-030	20		3-1/4"	2-7/8"	5"	13/16"	B-93	100
EYB-31	10	024-031	20		4-1/4"	2-3/4"	6"	1"	B-93	100
EYB-32	10	024-032	10		6-1/4"	3"	8"	1"	B-93	100

STEEL

Lag Screw Eyes

BRIGHT ZINC
PLATED FINISH



SPAENAUR No.	Thread Diameter	Thread Length	Overall Length	Shank Length	I.D. Eye	PKG QTY.
EYB-38	5/16"	2"	3-7/8"	2-3/4"	5/8"	10
EYB-39	3/8"	2-1/2"	4-3/8"	3"	3/4"	10

Dim. Tol. ± 1/16"

STEEL

Drop-forged Eye Bolts

Hot Galvanized



SPAENAUR No.	Shank Dia. and Length	I.D. Eye
EYB-33	1/4" x 2"	1/2"
EYB-34	5/16" x 2-1/4"	5/8"
EYB-35	3/8" x 2-1/2"	3/4"
EYB-36	1/2" x 3-1/4"	1"
EYB-37	5/8" x 4"	1-1/4"

SCREW EYE BOLTS

PKG QTY. 10

CATALOG 14 SPAENAUR

Eye Bolts/ Hooks / Gate Hooks

Inch

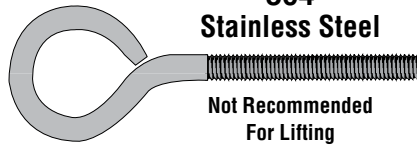
Boulons à œil / Crochets / Crochets de barrière

Pouce

B

STAINLESS STEEL WROUGHT EYE BOLTS

(without nuts)



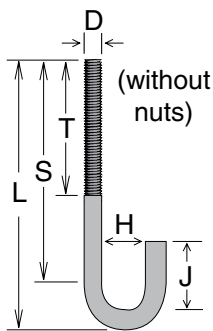
304
Stainless Steel

Not Recommended
For Lifting

SPAENAUR No.	Thread Dia.	Overall Length	Shank Length	Thread Length	Eye I. D.	PKG QTY.
024-820	1/4"-20	2"	1"	7/8"	1/2"	50
024-821	1/4"-20	2-5/8"	1-13/16"	1-1/2"	3/8"	50
024-822	1/4"-20	3-1/2"	2-1/2"	1-1/2"	9/16"	50
024-823	1/4"-20	4"	3"	1-1/2"	9/16"	50
024-824	5/16"-18	3-1/8"	2"	1-1/4"	5/8"	25
024-825	5/16"-18	4"	2-5/8"	2"	3/4"	25
024-826	3/8"-16	4"	2-1/2"	1-1/2"	3/4"	10
024-827	3/8"-16	6"	4-1/4"	2-1/2"	1"	10
024-828	3/8"-16	8"	6-1/4"	2-1/2"	1"	10
024-829	1/2"-13	4"	2"	1-1/2"	1"	10
024-830	1/2"-13	6"	4"	2-1/2"	1"	10
024-831	1/2"-13	8"	6"	4"	1"	1

J-Bolts

Material: STEEL, Bright Zinc Plated



(without nuts)

SPAENAUR No.	Thd. Dia. (D)	Thd. Lg. (T)	Hook Opp. (H)	O.A. Lg. (L)	Ins. Dpth. (J)	PKG QTY.	SPAENAUR No.	Thd. Dia. (D)	Thd. Lg. (T)	Hook Opp. (H)	O.A. Lg. (L)	Ins. Dpth. (J)	PKG QTY.
030-020	10-24	1-1/4"	5/16"	1-7/8"	5/16"	50	030-028	5/16"-18	2-1/2"	5/8"	5"	5/8"	10
030-021	12-24	1-1/4"	3/8"	2-1/8"	3/8"	50	030-029	5/16"-18	2-1/2"	5/8"	6"	5/8"	10
030-022	1/4"-20	1-1/2"	7/16"	2-5/16"	7/16"	25	030-030	5/16"-18	3-7/8"	5/8"	7"	7/8"	10
030-023	1/4"-20	2"	1/2"	4"	1/2"	25	030-031	3/8"-16	2-1/4"	5/8"	3-3/4"	5/8"	10
030-024	1/4"-20	2-1/2"	1/2"	5"	1/2"	25	030-032	3/8"-16	2-1/4"	5/8"	5"	7/8"	10
030-025	1/4"-20	2-1/2"	5/8"	6"	7/8"	25	030-033	3/8"-16	2-1/4"	5/8"	7"	7/8"	10
030-026	5/16"-18	2"	1/2"	3"	1/2"	10	030-034	1/2"-13	3"	1"	6"	1-1/2"	10
030-027	5/16"-18	2"	5/8"	4"	5/8"	10							



Hook Bolts

(without nuts)

Material: STEEL, Zinc Plated

SPAENAUR No.	Thread Dia.	Thread Length	Hook Opening	Overall Length	Shank Length	PKG QTY.
024-003	8-32	7/8"	13/32"	1-5/8"	1-1/8"	50
024-T42-1P	10-24	1-1/8"	13/32"	2-1/4"	1-5/16"	50
024-005	12-24	1-3/8"	1/2"	2-3/16"	1-1/2"	50
024-006	1/4"-20	1-1/2"	1/2"	2-5/8"	1-7/8"	25
024-007	5/16"-18	2"	7/16"	3-1/2"	2-1/4"	10
024-008	3/8"-16	2-1/8"	5/8"	4"	2-3/8"	10
024-009	3/8"-16	3-1/4"	5/8"	4-3/4"	3-3/8"	10

SPAENAUR No.	Screw Gauge	Hook Length	Wire Dia.	PKG QTY.
024-T06-1C	#10	3"	.177"	25

Gate Hooks

(Includes 1 Hook and 2 Eye Screws)

STEEL, Zinc Pltd.

