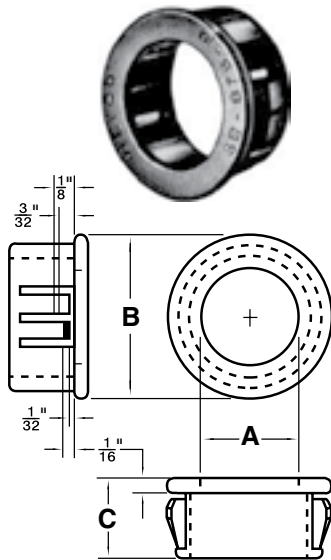


Snap Bushings

Inch

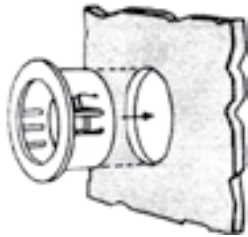
Manchons à enclenchement rapide

Pouce



Maximum temperature on the part shall not exceed **105° C.**

Melting point **265° C.**



SNAP BUSHINGS

Nylon Snap Bushings are used to convert sharp-edged metal holes to smooth, neat, insulated holes. They snap-assemble with fingertip pressure, and withstand 35 lb. pushback test. Available in 50 sizes for 1/4" to 2-1/2" diameter holes with various inside diameters.

Designed to meet specifications for insulation and mechanical protection of electric cords and cables, as well as protection of tubing, hose, rope and chain.

Snap Bushings are used in hundreds of products ranging from small appliances to air conditioners and furnaces. On production lines, they assemble and lock to product at the touch of a finger.

Of Black and White Nylon for sharp-edged holes in metal.

Mounting Hole Diameter	SPAENAUR No.		DIMENSIONS				
	Black Nylon	White Nylon	Inside Diameter A	Head Diameter B	O/A Height C	Maximum Chassis Thickness	PKG QTY.
.250"	315-700		1/8"	5/16"	5/16"	.062"	100
.312"	315-701		3/16"	3/8"	5/16"	.062"	100
.375"	315-702		3/16"	15/32"	13/32"	.125"	100
	315-703	315-104-1M	1/4"	15/32"	13/32"	.125"	100
.437"	315-704		.243" ^{+.015} _{-.000}	17/32"	13/32"	.125"	100
	315-705		1/4"	17/32"	13/32"	.125"	100
	315-706		5/16"	17/32"	13/32"	.125"	100
.500"	315-707		1/4"	37/64"	13/32"	.125"	100
	315-708	315-776	5/16"	37/64"	13/32"	.125"	100
	315-709	315-772	3/8"	37/64"	13/32"	.125"	100
		315-778	.375"	9/16"	1/4"	.062"	100
.562"	315-710		5/16"	21/32"	13/32"	.125"	100
	315-711		3/8"	21/32"	13/32"	.125"	100
	315-713	315-773	7/16"	21/32"	13/32"	.125"	100
.625"	315-714		1/4"	23/32"	13/32"	.125"	100
	315-715		7/16"	23/32"	13/32"	.125"	100
	315-G06-1A		1/2"	23/32"	13/32"	.125"	100
	315-717		.500" ^{+.015} _{-.000}	45/64"	17/32"	.250"	100
.687"	315-719		1/2"	25/32"	13/32"	.125"	100
	315-720		9/16"	25/32"	13/32"	.125"	100
.750"	315-721		3/8"	27/32"	13/32"	.125"	100
	315-722		1/2"	27/32"	13/32"	.125"	100
	315-723		9/16"	27/32"	13/32"	.125"	100
	315-724		39/64"	27/32"	13/32"	.125"	100
	315-725	315-774	.625" ^{+.015} _{-.000}	53/64"	17/32"	.250"	100
.781"	*315-780		.625"	55/64"	1/4"	.062"	100
.812"	315-726		9/16"	57/64"	13/32"	.125"	100
	315-727		39/64"	57/64"	13/32"	.125"	100
.875"	315-728		3/8"	61/64"	29/64"	.125"	100
	315-729		7/16"	61/64"	29/64"	.125"	100
	315-730		1/2"	61/64"	29/64"	.125"	100
	315-731		9/16"	61/64"	29/64"	.125"	100
	315-732		5/8"	61/64"	29/64"	.125"	100
315-733		11/16"	61/64"	29/64"	.125"	100	
1.000"	315-734	315-775	3/4"	1-1/8"	29/64"	.125"	100
1.093" to 1.125"	315-735		13/16"	1-7/32"	29/64"	.125"	100
	315-736	315-771	7/8"	1-7/32"	29/64"	.125"	100
	315-737		15/16"	1-7/32"	29/64"	.125"	100
1.187"	315-739		15/16"	1-5/16"	29/64"	.125"	100
1.250"	315-740		15/16"	1-23/64"	29/64"	.125"	100
1.375"	315-742		1"	1-15/32"	29/64"	.125"	100
1.500"	315-744		1-1/16"	1-39/64"	29/64"	.125"	50
	315-745		1-1/8"	1-39/64"	29/64"	.125"	50
	315-746		1-5/16"	1-39/64"	29/64"	.125"	50
1.750"	315-748		1-3/8"	1-7/8"	29/64"	.125"	50
2.000"	315-749	315-783	1-5/8"	2-1/8"	29/64"	.125"	50
2.500"	315-750		1-31/32"	2-21/32"	23/32"	.250"	50
3.5"	315-785		2.940"	3.660"	.720"	.250"	10

* Shorty Bushing Style.

Inch

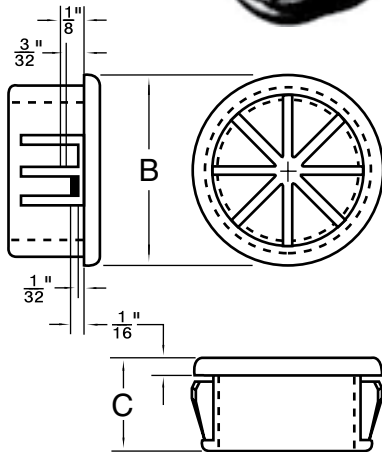
Snap Bushings - Universal / Open / Close

Pouce

Manchons à enclenchement rapide – universels / ouverts / fermés

UNIVERSAL BUSHINGS

of Black Nylon



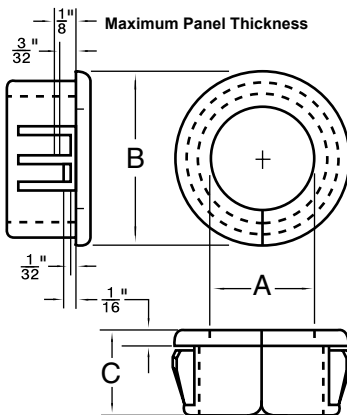
SPAENAUR No.	DIMENSIONS			
	Mounting Hole Diameter A	Head Diameter B	Overall Height C	Maximum I.D.
315-751	.625"	23/32"	13/32"	7/16"
315-G69-1P	.750"	55/64"	25/64"	1/2"
315-753	.812"	57/64"		
315-754	.875"	15/16"	29/64"	9/16"
315-755	1.000"	1-1/16"		3/4"
315-756	1.093/1.125"	1-5/32"		13/16"

PKG QTY. 100

Nylon bushing used to absorb vibration, cushion and position a single or group of cables, tubes, hoses or shafts. The flexible insulated hole supports and protects even at angle entry. Snap-lock into panels up to 1/8" in thickness, not affected by oils, suitable for wide temperature variations. Because of its unique design, one bushing will solve a multitude of insulating problems. Flexible Nylon shutters adjust to accommodate any shape from 1/8" to maximum diameter of 13/16".

OPEN/CLOSED BUSHINGS

of Black Nylon



Open/Closed Bushings are used to convert sharp edged metal holes to smooth neat insulated holes. They assemble and snap-lock with fingertip pressure. The Open/Closed Bushing features a split body which can be placed around wires or tubes and closes, when inserted into the proper size hole, to form a perfect circle and a complete insulation barrier. The split feature will permit protection of preassembled harnesses or capillary tubes which might not thread thru a regular nylon Snap Bushing. Typical applications are insulation and mechanical protection for electric wires and cable, metal or plastic tubing, hose and rope.

SPAENAUR No.	DIMENSIONS			Overall Height C
	Mounting Hole Diameter	Inside Diameter A	Head Diameter B	
315-757	.375"	17/64"	27/64"	13/32"
315-H45-1K	.437"	5/16"	31/64"	
315-758	.500"	5/16"	9/16"	
315-759	.625"	29/64"	11/16"	
315-760	.750"	33/64"	13/16"	
315-G51-1T	.875"	43/64"	59/64"	

PKG QTY. 100

Typical Applications

