

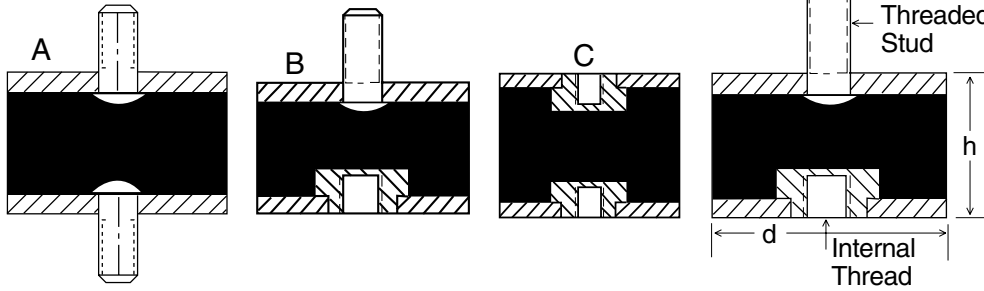
Anti-Vibration Mounts

Inch

Supports antivibratoires

Pouce

External and Internal Threads are Inch U.N.C.



Materials

Black Vulcanized
Natural Rubber
57 Durometer

Steel,
Zinc Plated
Mountings

TYPE	SPAENAUR No.	Thread x Approx. Length Stud	Internal	Dim. in inches d x h	Dim. in mm d x h	Load (lbs.)	Shear (lbs.)	PKG QTY.
A	315-G72-1Y	8-32 x 13/32	—	3/8 x 3/8"	10 x 10	6-1/2	2	4
	315-G73-1C	8-32 x 13/32"	—	9/16 x 5/16"	15 x 8	8-1/2	3	4
	315-203	8-32 x 13/32"	—	9/16 x 9/16"	15 x 15	9	3-1/2	4
	315-G75-1T	1/4-20 x 19/32"	—	25/32 x 9/16"	20 x 15	20	6-1/2	4
	315-G76-1T	1/4-20 x 19/32"	—	25/32 x 25/32"	20 x 20	20	6-1/2	4
	315-H29-1N	1/4-20 x 5/8"	—	1 x 3/4"	25 x 19	—	—	4
	315-H06-1T	1/4-20 x 23/32"	—	1 x 25/32"	25 x 20	33	13	4
	315-G77-1W	5/16-18 x 13/16"	—	1-3/16 x 1-3/16"	30 x 30	46-1/2	20	1
	315-G78-2M	5/16-18 x 29/32"	—	1-9/16 x 1-3/16"	40 x 30	66	33	1
	315-G79-1X	5/16-18 x 29/32"	—	1-9/16 x 1-9/16"	40 x 40	66	33	1
	315-H07-1K	3/8-16 x 1-3/32"	—	1-31/32 x 1-3/16"	50 x 30	132-1/2	44	1
	315-G80-1M	3/8-16 x 1-3/32"	—	1-31/32 x 2-5/32"	50 x 55	132-1/2	44	1
	315-G81-1X	1/2-13 x 1-1/2"	—	2-15/16 x 1-31/32"	75 x 50	264-1/2	99	1
	315-G82-1A	1/2-13 x 1-1/2"	—	2-15/16 x 2-11/32"	75 x 60	264-1/2	99	1
	315-G83-1P	5/8-11 x 1-13/16"	—	3-7/8 x 2-5/32"	100 x 55	441	165-1/2	1
315-G84-1Y	5/8-11 x 1-13/16"	—	3-7/8 x 2-11/32"	100 x 60	441	165-1/2	1	
B	▲315-G38-1K	8-32 x 13/32"	8-32 x .150"	3/8 x 3/8"	10 x 10	6-1/2	2	10
	315-217	8-32 x 13/32"	8-32 x .150"	9/16 x 9/16"	15 x 15	9	3-1/2	10
	315-H04-1C	1/4-20 x 19/32"	1/4-20 x .250"	25/32 x 9/16"	20 x 15	20	6-1/2	10
	▲315-219	1/4-20 x 19/32"	1/4-20 x .250"	25/32 x 25/32"	20 x 20	20	6-1/2	10
	315-H30-1C	1/4-20 x 23/32"	1/4-20 x .250"	1 x 25/32"	25 x 20	33	13	10
	315-G89-1W	5/16-18 x 13/16"	5/16-18 x .310"	1-3/16 x 1-3/16"	30 x 30	46-1/2	20	10
	315-247	5/16-18 x 0.88"	5/16-18 x .310"	1-3/16 x 1-3/16"	30 x 30	46-1/2	20	4
	315-G90-1K	5/16-18 x 29/32"	5/16-18 x .310"	1-9/16 x 1-3/16"	40 x 30	66	33	4
	315-223	5/16-18 x 29/32"	5/16-18 x .310"	1-9/16 x 1-9/16"	40 x 40	66	33	4
	315-H08-1W	3/8-16 x 1-3/32"	3/8-16 x .375"	1-31/32 x 1-3/16"	50 x 30	132-1/2	44	4
	315-G92-1M	3/8-16 x 1-3/32"	3/8-16 x .375"	1-31/32 x 2-5/32"	50 x 55	132-1/2	44	4
	315-G93-1X	1/2-13 x 1-5/8"	1/2-13 x .500"	2-15/16 x 1-31/32"	75 x 50	264-1/2	99	1
	315-G94-1A	1/2-13 x 1-7/16"	1/2-13 x .500"	2-15/16 x 2-11/32"	75 x 60	264-1/2	99	1
	315-G95-1P	5/8-11 x 1-13/16"	5/8-11 x .560"	3-7/8 x 2-5/32"	100 x 55	441	165-1/2	1
	315-229	5/8-11 x 1-13/16"	5/8-11 x .560"	3-7/8 x 2-11/32"	100 x 60	441	165-1/2	1
C	▲*315-230	—	8-32 x .125"	3/8 x 3/8"	10 x 10	4	1	10
	▲315-G98-1N	—	1/4-20 x .250"	25/32 x 25/32"	20 x 20	20	6-1/2	10
	315-G99-1T	—	1/4-20 x .250"	1 x 25/32"	25 x 20	33	13	4
	315-233	—	5/16-18 x .310"	1-3/16 x 1-3/16"	30 x 30	46-1/2	20	10
	315-H02-1P	—	3/8-16 x .375"	1-31/32 x 1-3/16"	50 x 30	132-1/2	44	4
	315-H03-1Y	—	1/2-13 x .500"	2-15/16 x 2-11/32"	75 x 60	264-1/2	99	1

Continues on Next Page

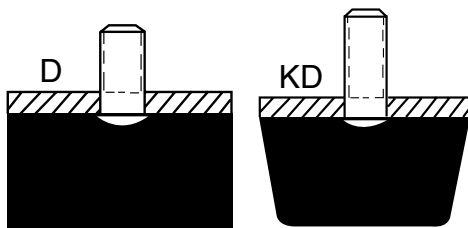
Inch

Anti-Vibration Mounts

Pouce

Supports antivibratoires

External and Internal Threads are Inch U.N.C.

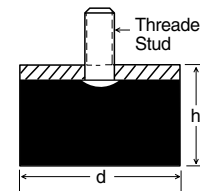


More styles on previous page.

Materials

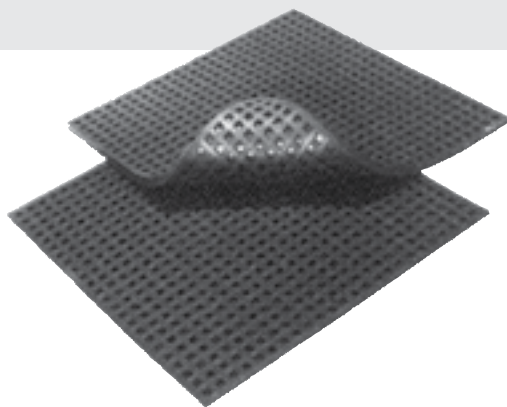
Black Vulcanized Natural Rubber
57 Durometer

Steel, Zinc Plated Mountings



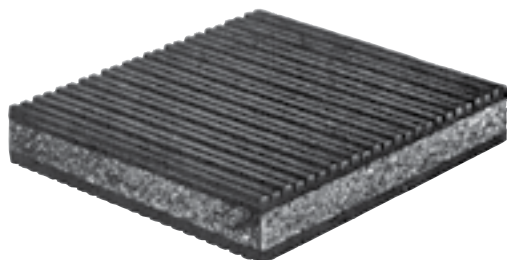
TYPE	SPAENAUR No.	Thread x Approx. Length Stud	Dim. in inches d x h	Dim. in mm d x h	Load (lbs.)	PKG QTY.
D	315-G44-1A	8-32 x 13/32"	3/8 x 3/8"	10 x 10	3-1/2	10
	315-H10-2W	1/4-20 x 19/32"	25/32 x 15/32"	20 x 12	20	10
	315-238	1/4-20 x 23/32"	1 x 25/32"	25 x 20	33	4
	315-H12-1X	5/16-18 x 13/16"	1-3/16 x 11/16"	30 x 17	33	1
	315-H13-2A	5/16-18 x 29/32"	1-9/16 x 1-3/32"	40 x 28	33	10
	315-H14-1P	3/8-16 x 1-3/32"	1-31/32 x 13/16"	50 x 21	132-1/2	4
	315-H15-1Y	1/2-13 x 1-5/8"	2-15/16 x 1"	75 x 25	264-1/2	1
KD	315-H16-1C	1/4-20 x 23/32"	1 x 11/16"	25 x 17	33	10
	315-H09-1M	3/8-16 x 1-3/32"	1-31/32 x 23/32"	50 x 18	132-1/2	4
	315-243	5/8-11 x 1-13/16"	4-29/32 x 1-3/4"	125 x 45	661-1/2	1

For more Anti-Vibration Solutions see Page J25



ANTI-VIBRATION NEOPRENE PADS

FASTER EASIER INSTALLATION. Simply lift the machine to be mounted and slide the pads under each leg. The waffle moulded design allows material expansion and highest deflection without loss of stability, maximum resilience and minimum of creep, providing firm footing to both floor and equipment.



PROLONGS MACHINE LIFE / DAMPENS VIBRATION REDUCES MAINTENANCE COST

SPAENAUR Anti-Vibration Pads are available in a neoprene ribbed pad with a 1/2" cork centre. These pads are made from a high quality neoprene elastomer, compounded with excellent resistance to aging, compression set, water and oil.

Additional vibration isolation is obtained with both high and low weight loads by alternate rib height construction. Recommended maximum loading capacity of 50 PSI.

CATALOG 14 SPAENAUR

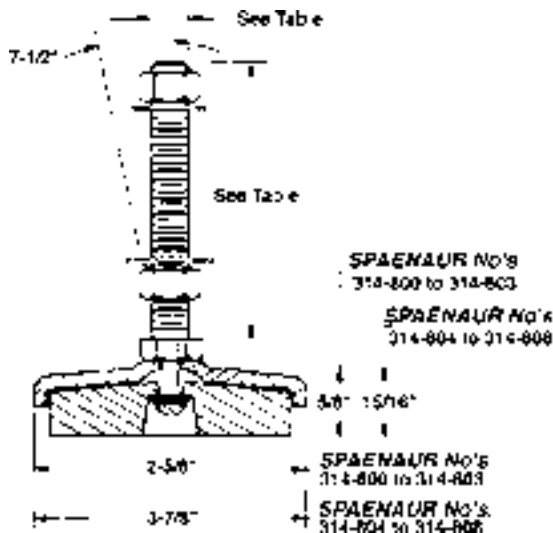
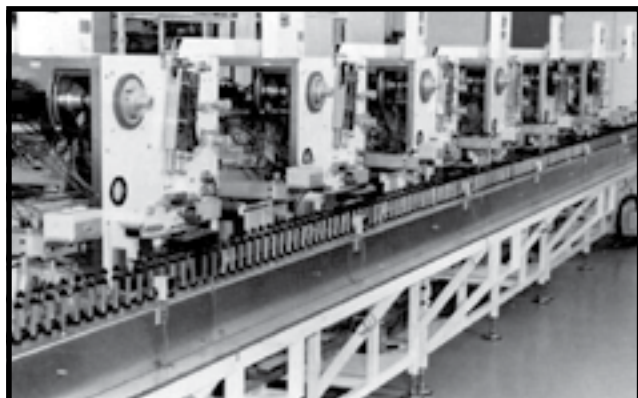
Anti-Vibration Leveling Mounts

Inch

Supports de nivellement anti-vibration

Pouce

STAINLESS STEEL LEVELING MOUNTS



Housing and hardware of Type 18-8 Stainless Steel with Neoprene rubber pad.

Note: One nut and one washer included with each mount.

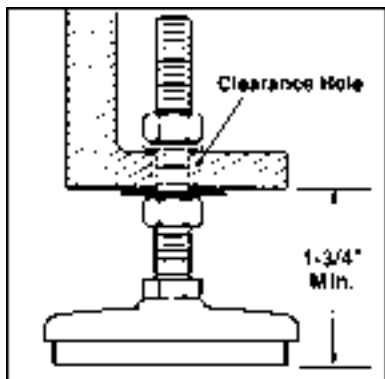
To calculate load per mount:

$$\frac{\text{Total weight of equipment}}{\text{Number of mounts}} = \text{lbs. per mount}$$

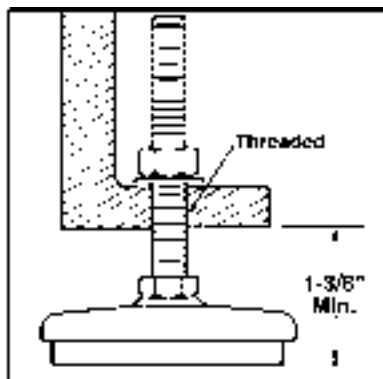
PKG QTY. 1

Load Range	50-250 lbs.	200-500 lbs.	400-1000 lbs.	900-2000 lbs.
Mount Dia.	2-5/8"	2-5/8"	3-7/8"	3-7/8"
Pad Hardness	60 Shore A	80 Shore A	60 Shore A	80 Shore A
Leveling Bolt	ORDER BY SPAENAUR NUMBERS LISTED BELOW			
1/2"-13 x 2"	314-800	314-802	—	—
1/2"-13 x 4"	314-801	314-803	—	—
5/8"-11 x 4"	—	—	314-804	314-806
5/8"-11 x 6"	—	—	314-805	314-808
3/4"-10 x 4"	—	—	—	314-807

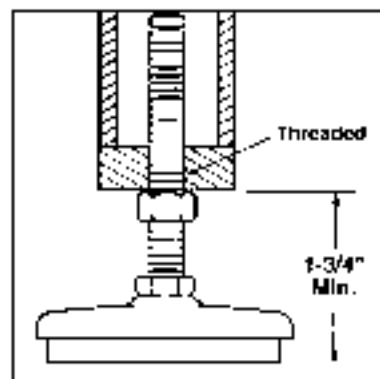
APPLICATIONS



Flange Mounting
(Clearance Hole)



Flange Mounting
(Threaded Hole)



Closed Leg Mounting
(Threaded Hole)

Inch

Anti-Vibration Plate Mounts

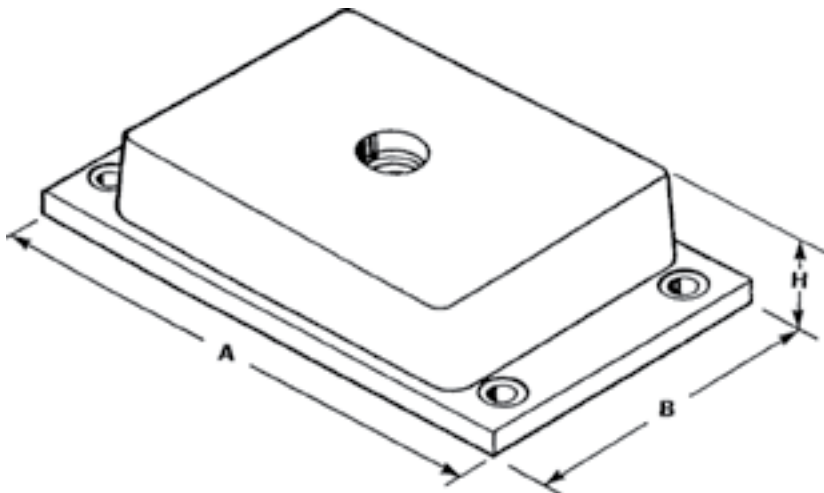
Pouce

Supports de montage antivibrations

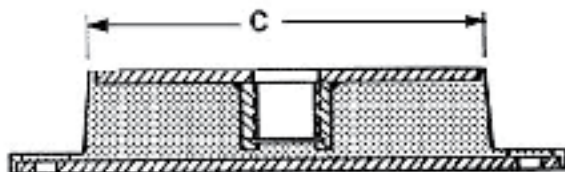
HEAVY INDUSTRIAL COMPRESSION MOUNT

MODEL: VTM™

DESIGN

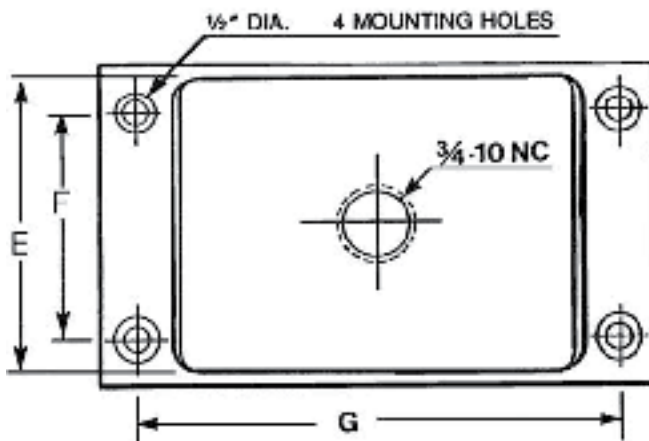


- Consists of rectangular elastomer component bonded with two steel plates.
- Low installation height provides good stability.
- Effectively isolated against horizontal and vertical vibrations.
- Oil and grease resistant.
- Meets OSHA anchoring standards.



APPLICATIONS

- Presses
- Blowers
- Motors
- Pumps
- Vibrators
- Rolling Mills
- Radial Drill Presses
- Machine Shop Equipment
- Injection Moulding Machines, etc.



SPAENAUR No.	MAX. LOAD in LBS.		SPECIFICATIONS in INCHES							HARDNESS
	Non-Impact Machinery	Impact Machinery	A	B	C	E	F	G	H	
314-214	10,000	7,000	12	7-1/8	8-1/2	6-1/2	5	10-3/8	2-1/4	60 A Duro
314-215	15,000	10,500	12	7-1/8	8-1/2	6-1/2	5	10-3/8	2-1/4	80 A Duro

PKG QTY. 1

CATALOG 14

SPAENAUR