

Inch

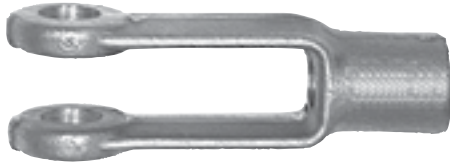
**Yokes & Jaw Fittings**

Pouce

Raccords fourches et mâchoires

**STEEL**

DROP FORGED

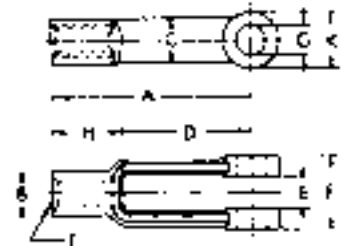


**ADJUSTABLE YOKE ENDS  
(ROD ENDS or CLEVIS YOKES)**

Drop forged and machined steel - plain finish. Fine thread UNF-2, Right-hand.

S.A.E. Standard - Light Series

PKG QTY. 5 (One Size)



SPAENAUR No.	T-Thread	DIMENSIONS IN INCHES									Use With	
		A	B	C	D	E	F	G	H	K	Clevis Pin No.	Cotter Pin No.
<b>B-1934</b>	1/4"-28 NF	2"	7/16"	7/16"	1 1/4"	9/32"	5/8"	1/4"	3/4"	1/2"	<b>233-003</b>	<b>CP-1</b>
<b>B-1935</b>	5/16"-24 NF	2 1/4"	1/2"	1/2"	1 7/16"	11/32"	3/4"	5/16"	13/16"	19/32"	<b>233-004</b>	<b>CP-9</b>
<b>B-1936</b>	3/8"-24 NF	2 1/2"	5/8"	5/8"	1 5/8"	7/16"	7/8"	3/8"	7/8"	11/16"	<b>233-005</b>	<b>CP-9</b>
<b>*B-1937YZ</b>	7/16"-20 NF	2 7/8"	23/32"	23/32"	1 7/8"	1/2"	1"	7/16"	1"	13/16"	<b>233-006</b>	<b>CP-108</b>
<b>B-1938</b>	1/2"-20 NF	3"	13/16"	13/16"	1 7/8"	9/16"	1 1/8"	1/2"	1 1/8"	15/16"	<b>233-007</b>	<b>CP-17</b>
<b>699-030</b>	5/8"-18 NF	4 15/16"	1 1/16"	1 1/16"	3 11/16"	1 1/16"	1 3/8"	5/8"	1 1/4"	1 3/16"	<b>233-008</b>	<b>CP-17</b>
<b>699-031</b>	3/4"-16 NF	6 1/16"	1 1/4"	1 1/4"	4 9/16"	1 3/16"	1 5/8"	3/4"	1 1/2"	1 7/16"	<b>233-009</b>	<b>CP-25</b>

\*Yellow Zinc

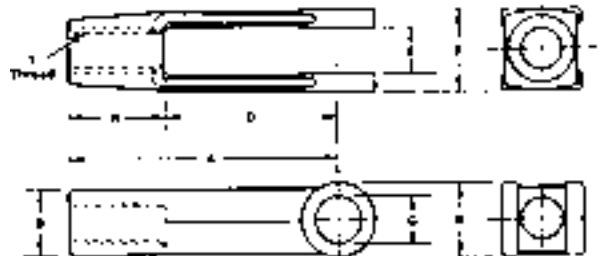
Clevis Pins and Cotter Pins must be ordered separately.

**Fiberglass Reinforced YOKES with spring steel inserts**



Right-hand UNF - 2B thread.

Dimensions to S.A.E. Standards.



Made of a special compound composed of 40% fiberglass and 60% nylon, with heat treated, spring steel reinforced inserts. The metal insert makes the yoke unusually strong.

Made in black only, the yoke has 5 dimensional variations to accommodate rod diameters from 10-32 through 1/2"-20.

**STRONG — LIGHT WEIGHT**

SPAENAUR No.	T-Thread	DIMENSIONS IN INCHES									Use With	
		A	B	D	E	F	G	H	K	Clevis Pin No.	Cotter Pin No.	
<b>695-001</b>	10-32 NF	1 9/16"	5/16"	1"	3/16"	7/16"	3/16"	9/16"	3/8"	<b>233-002</b>	<b>CP-1</b>	
<b>695-002</b>	1/4"-28 NF	2"	7/16"	1 1/4"	9/32"	5/8"	1/4"	3/4"	1/2"	<b>233-003</b>	<b>CP-1</b>	
<b>695-003</b>	5/16"-24 NF	2 1/4"	1/2"	1 7/16"	11/32"	3/4"	5/16"	13/16"	19/32"	<b>233-004</b>	<b>CP-9</b>	
<b>695-004</b>	3/8"-24 NF	2 1/2"	5/8"	1 5/8"	7/16"	7/8"	3/8"	57/64"	11/16"	<b>233-005</b>	<b>CP-9</b>	
<b>695-005</b>	1/2"-20 NF	3"	13/16"	1 7/8"	9/16"	1 1/8"	1/2"	1 1/8"	15/16"	<b>233-007</b>	<b>CP-17</b>	

PKG QTY. 5 (One Size)

Clevis Pins and Cotter Pins must be ordered separately.

**More ROD ENDS on pages B271 and B272**  
**More CLEVIS and COTTER PINS on pages E43 and E77.**

CATALOG 14

SPAENAUR

Taper Pins / Yoke Pins / Yoke Fork Heads

Metric

Goupilles coniques / Axes pour embout à chape / Embouts à chape

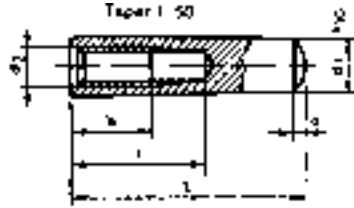
Métrique

**Metric TAPER PINS**  
with Internal Parallel Thread\*

**DIN 7978A**

This Standard has been replaced. Please see Catalog Page R21 for more information.

Free Cutting STEEL,  
Not Hardened, Not Plated



Ground to h10 tol.  
on pin dia.

Metric Regular (Coarse) Thread

d1 Dia.	6mm	8mm	10mm	12mm	16mm	20mm
~a	0.8mm	1mm	1.2mm	1.6mm	2mm	2.5mm
d2	M4	M5	M6	M8	M10	M12
b	6mm	8mm	10mm	12mm	16mm	18mm
t min.	10mm	12mm	16mm	20mm	25mm	28mm

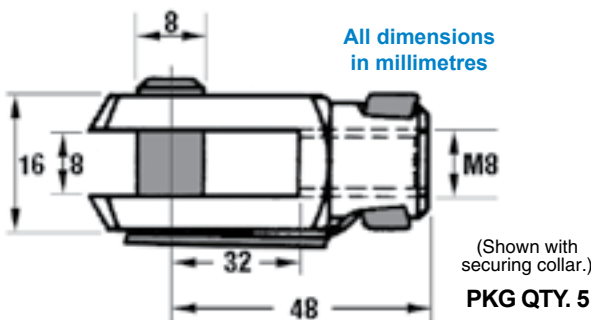
Length (L)

ORDER BY SPAENAUR NUMBERS LISTED BELOW

16 mm	238-1080					
20	238-1081	238-1095				
24	238-1082	238-1096				
26		238-1097				
28	238-1084	238-1098	238-1110			
30	238-1085	238-1099	238-1111			
32	238-1086	238-1100	238-1112			
36	238-1087	238-1101	238-1113	238-1123		
40	238-1088	238-1102	238-1114	238-1124	238-1133	
45	238-1089	238-D08-1C	238-1115	238-1125		
50	238-1090	238-1104	238-1116	238-1126	238-1134	238-1142
55	238-1091	238-1105	238-1117		238-1135	
60	238-1092	238-1106	238-1118	238-1127	238-1136	238-1143
70	238-1093	238-1107		238-1128	238-C27-1C	238-1144
80	238-1094	238-1108	238-1120	238-1129	238-1138	238-1145
90			238-1121	238-1130		
100		238-1109	238-1122	238-1131	238-1139	238-1146
120				238-1132	238-1140	238-1147
140						238-1148

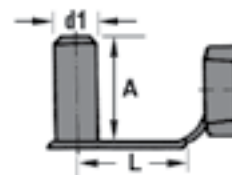
PKG QTY. 25

PKG QTY. 5



**SPAENAUR No. 699-009ZP**  
**Metric Fork Heads (Yokes)**

**DIN 71752** – Steel – Zinc Plated



PKG QTY. 10

**ES Bolts with securing collar**  
**Steel – Zinc Plated**  
**For use with DIN 71752**

SPAENAUR No.	Dimensions (d1 x A x L)
086-013ZP	8 mm x 19 mm x 32 mm
086-014ZP	10 mm x 23 mm x 20 mm