


Inch

**Solid Plugs for Tube**

Pouce

Bouchons solides pour tubes




## ROUND TUBING TYPE

Designed to fit tube ends in furniture tubing, etc. Provides a trim finished appearance, and protects floors from sharp tube ends.

**HIGH CARBON STEEL**

*More Metal Plug Buttons on pages H2 to H4. For Nylon Plug Button see pages J2 and J3.*

APPLICATION




Tube Size		O.D. of Plug Button Head	Plug Button Material	Bare Metal		Finished		PKG QTY.
I.D.	O.D.			SPAENAUR No.	Mfr. No.	SPAENAUR No.	Finish	
.620-.680"	3/4"	3/4"	Steel	<b>B-1684-PS</b>	HS-51260	<b>B-1684</b>	Nickel	50
.875-.900"	1"	63/64"	Steel	<b>B-1732-PS</b>	D-3031	<b>B-1732</b>	Nickel	50
1.092-1.150"	1-1/4"	1-15/64"	Steel	<b>B-1775</b>	HS-51328	<b>B-1775N</b>	Nickel	50

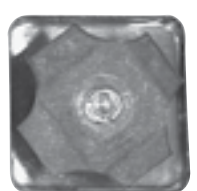
## SQUARE TUBING TYPE

STEEL - NICKEL PLATED.  
FIT SECURELY AND NEATLY.


B-1889



Top View






Bottom View



SPAENAUR No.	16-18 ga. Tubing O.D. Size
<b>B-1974</b>	3/4"
<b>B-1975</b>	13/16"
<b>B-1976</b>	7/8"
<b>B-1889</b>	1-1/8"

**PKG QTY. 50**

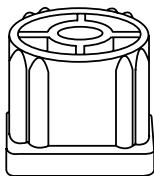
		SPAENAUR No.	Use With Tube O.D.	Tube Wall Thickness	Base Material	Base Finish
<p><b>Round Style</b></p> 		<b>112-227</b>	5/8" round	16-18 ga.	Case Hardened Steel	Zinc Plated
		<b>112-228</b>	3/4" round	16-18 ga.	Case Hardened Steel	Nickel Plated
		<b>112-G01-1Y</b>	7/8" round	16-18 ga.	Case Hardened Steel	Zinc Plated
		<b>112-234</b>	1" round	16-18 ga.	Case Hardened Steel	Nickel Plated
		<b>112-224</b>	1" round	16-18 ga.	Black NYLON	—
		<b>112-236</b>	1-1/8" round	16-18 ga.	Case Hardened Steel	Nickel Plated
		<b>112-237</b>	1-1/4" round	16-18 ga.	Case Hardened Steel	Nickel Plated
<p><b>Round Style with washer</b> (Provides Flange on Tube End)</p> 		<b>112-238</b> with 1-1/2" washer	1" round	14-16 ga.	Case Hardened Steel	Nickel Plated
		<b>112-239</b> with 1-3/4" washer	1-1/4" round	16-18 ga.	Case Hardened Steel	Nickel Plated
<p><b>Square Style</b></p> 		<b>112-229</b>	3/4" square	16-18 ga.	Case Hardened Steel	Nickel Plated
		<b>112-231</b>	13/16" square	16-18 ga.	Case Hardened Steel	Nickel Plated
		<b>112-233</b>	7/8" square	16-18 ga.	Case Hardened Steel	Nickel Plated
		<b>112-235</b>	1" square	16-18 ga.	Case Hardened Steel	Nickel Plated
		<b>112-225</b>	1" square	16-18 ga.	Black NYLON	—
		<b>112-226</b>	1-1/8" square	16-18 ga.	Black NYLON	—

Inch

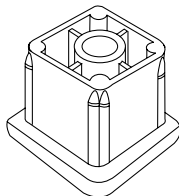
**Plug Adaptors for Tube**

Pouce

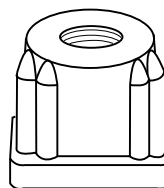
Adaptateurs de bouchons pour tubes

**SQUARE PLUG ADAPTORS of Hi-Density Polyethylene**


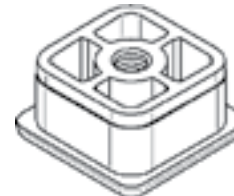
Style 1



Style 2



Style 3

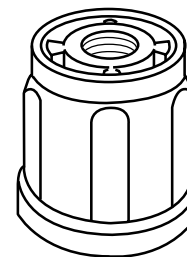


Style 4

SPAENAUR No.	Thread Size	For Tubing Gauge	Square Base Dimension	Style	Metal Insert	Colour	PKG QTY.
<b>112-153</b>	1/4" - 20	16-18	3/4"	3	No	Natural	50
<b>112-157</b>	1/4" - 20	16-18	1"	1	Yes	Natural	25
<b>112-158</b>	1/4" - 20	16-18	1"	1	Yes	Black	25
<b>112-258</b>	1/4" - 20	16-18	1"	4	No	Natural	25
<b>112-162</b>	1/4" - 20	16-18	1-1/4"	1	Yes	Natural	25
<b>112-154</b>	5/16" - 18	16-18	3/4"	3	No	Natural	50
<b>112-156</b>	5/16" - 18	16-18	7/8"	1	Yes	Black	50
<b>112-159</b>	5/16" - 18	16-18	1"	1	Yes	Natural	25
<b>112-160</b>	5/16" - 18	16-18	1"	1	Yes	Black	25
<b>112-161</b>	5/16" - 18	16-18	1-1/8"	1	Yes	Natural	25
<b>112-163</b>	5/16" - 18	16-18	1-1/4"	1	Yes	Natural	25
<b>112-164</b>	5/16" - 18	16-18	1-1/4"	1	Yes	Black	25
<b>112-165</b>	5/16" - 18	16-18	1-1/2"	2	Yes	Natural	25
<b>112-167</b>	3/8" - 16	16-18	2"	2	Yes	Black	10

**ROUND PLUG ADAPTORS of Hi-Density Polyethylene - without Metal Inserts**

SPAENAUR No.	Thread Size	For Tubing Gauge	Base Outside Dia.	Colour	PKG QTY.
<b>112-168</b>	1/4" - 20	16-18	5/8"	Natural	50
<b>112-169</b>	1/4" - 20	16-18	3/4"	Natural	50
<b>112-171</b>	1/4" - 20	16-18	7/8"	Natural	50
<b>112-173</b>	1/4" - 20	16-18	1"	Natural	25
<b>112-170</b>	5/16" - 18	16-18	3/4"	Black	50
<b>112-172</b>	5/16" - 18	16-18	7/8"	Natural	50
<b>112-174</b>	5/16" - 18	16-18	1"	Natural	25
<b>*112-175</b>	5/16" - 18	16-18	1-1/4"	Black	25
<b>*112-176</b>	5/16" - 18	16-18	1-3/4"	Black	25



(\*With Metal Insert)

For more plastic feet see page J45.  
See also Crutch-Type Tips on page J52.

**Plug Adapters for Tube**

Inch

**Adaptateurs de bouchons pour tubes**

Pouce



**ROUND METAL  
THREADED ADAPTERS**

Threaded insert and base are zinc plated.

SPAENAUR No.	Use With Tube O.D.	Thread Dia.	Tube Wall Thickness	PKG QTY.
112-207	7/8"	1/4"-20 UNC	16-18 ga.	20
112-208	7/8"	5/16"-18 UNC	16-18 ga.	20
112-209	7/8"	3/8"-16 UNC	16-18 ga.	20
112-210	1"	1/4"-20 UNC	16-18 ga.	20
112-211	1"	5/16"-18 UNC	16-18 ga.	20
112-212	1"	3/8"-16 UNC	16-18 ga.	20

F



**SQUARE METAL  
THREADED ADAPTERS**

Threaded insert and base are zinc plated.

SPAENAUR No.	Use With Tube O.D.	Thread Dia.	Tube Wall Thickness	PKG QTY.
112-213	7/8"	1/4"-20 UNC	16-18 ga.	20
112-214	7/8"	5/16"-18 UNC	16-18 ga.	20
112-215	1"	1/4"-20 UNC	16-18 ga.	20
112-216	1"	5/16"-18 UNC	16-18 ga.	20
112-217	1"	3/8"-16 UNC	16-18 ga.	20



**SQUARE METAL  
THREADED ADAPTOR  
WITH ROUND CLIP**

Threaded insert and base are zinc plated.

SPAENAUR No.	Use With Tube O.D.	Thread Dia.	Tube Wall Thickness	PKG QTY.
112-202	7/8"	1/4"-20 UNC	16-18 ga.	20
*112-G08-1X	7/8"	5/16"-18 UNC	16-18 ga.	20
112-204	1"	1/4"-20 UNC	16-18 ga.	20
112-205	1"	5/16"-18 UNC	16-18 ga.	20
112-206	1"	3/8"-16 UNC	16-18 ga.	20

\* Trivalent Zinc Plated