

Threaded Pipe Plugs

Inch

Bouchons filetés

Pouce

Square Head

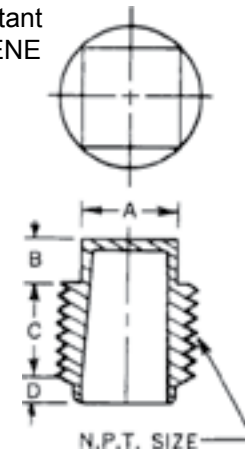
Hollow threaded plug prevents damage to tapped holes, and provides low cost protection, (less than metal), during low pressure testing, shipping, or in-plant handling. Durable plug is easily tightened with fingers or wrench.

TP Series Square Head

Colour: Black

Material: Oil and Heat (121° C) Resistant High Density POLYETHYLENE

SPAENAUR No.	N.P.T. SIZE	DIMENSIONS				PKG QTY.
		A	B	C	D	
317-367	1/8"-27	9/32"	1/4"	5/16"	1/16"	100
317-368	1/4"-18	3/8"	1/4"	3/8"	1/16"	50
317-369	3/8"-18	7/16"	1/4"	7/16"	1/16"	50
317-370	1/2"-14	9/16"	1/4"	1/2"	1/16"	50
317-371	3/4"-14	5/8"	1/4"	9/16"	3/32"	25
317-372	1"-11-1/2	13/16"	1/4"	5/8"	3/32"	25
317-373	1-1/4"-11-1/2	1"	3/8"	7/8"	1/8"	10
317-374	1-1/2"-11-1/2	1-1/4"	3/8"	7/8"	1/8"	10



Flanged Square Head

Hollow threaded plug locks into position for an extra tight seal due to flanged sealing surface and cannot be forced thru opening.

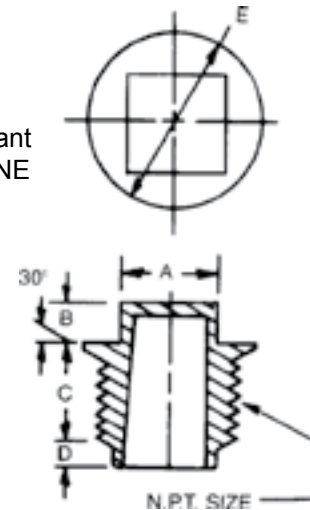
TP-F Series Flanged Square Head

Colour: Black

Material: Oil and Heat (121° C) Resistant High Density POLYETHYLENE

SPAENAUR No.	N.P.T. SIZE	DIMENSIONS					PKG QTY.
		A	B	C	D	E	
*317-375	1/8"-27	7/16"	3/16"	9/32"	3/32"	9/16"	100
317-376	1/4"-18	7/16"	1/4"	11/32"	3/32"	11/16"	50
317-377	3/8"-18	7/16"	1/4"	13/32"	3/32"	13/16"	50
317-378	1/2"-14	9/16"	1/4"	13/32"	3/32"	1"	25
317-379	3/4"-14	5/8"	1/4"	17/32"	1/8"	1-1/4"	25

*Across Flats - Hexagonal Head Style.



Hexagonal Socket

A solid threaded plug offering exceptional strength as a temporary or permanent closure. Hex socket receives standard Allen wrench sizes for easy tightening.

TH Series Hexagonal Socket

Colour: Black

Material: Oil and Heat (121° C) Resistant High Density POLYETHYLENE

SPAENAUR No.	N.P.T. SIZE	DIMENSIONS			PKG QTY.
		A	B	C	
317-380	1/4"-18	1/4"	5/16"	1/2"	100
317-381	3/8"-18	5/16"	3/8"	9/16"	100
317-382	1/2"-14	3/8"	3/8"	9/16"	50
317-383	3/4"-14	9/16"	1/2"	5/8"	25
317-385	1"-11-1/2	5/8"	17/32"	3/4"	10

