

Tension Latches / Latch & Lock Parts

Inch

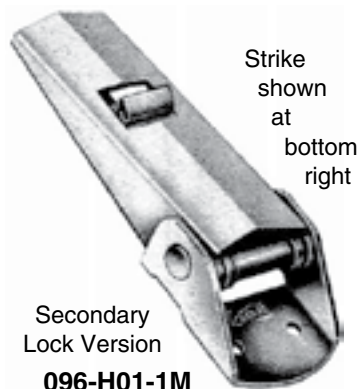
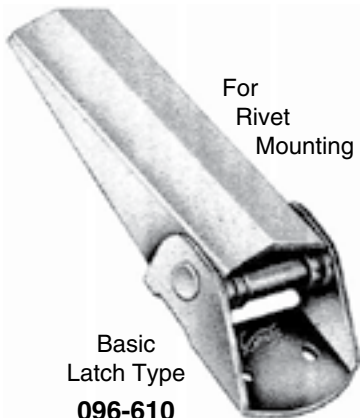
Loquets à tension / Pièces pour loquets et verrous

Pouce

TENSION LATCHES

800 lb. Ultimate Strength 600 lb. Working Strength

STEEL MATERIAL
Bright Zinc Plated



PKG QTY. 10

All Styles

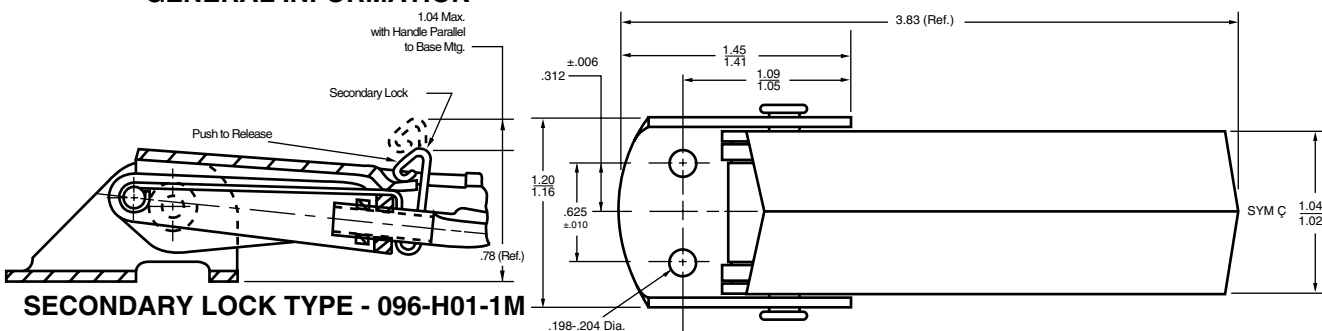
Basic Latch Type
096-610

Secondary Lock Version
096-H01-1M

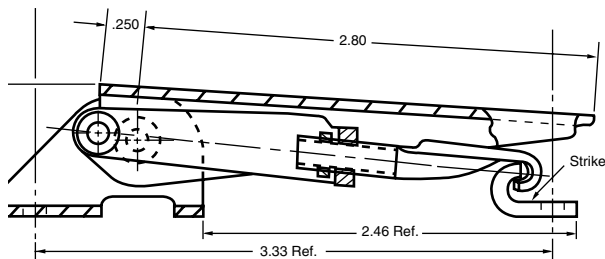
They're built for positive performance in a variety of types for specialized applications including campers, transit cases, shipping containers, leisure vehicles, storage units and transportation equipment. Reliability, versatility and value are yours in these latches.

SPAENAUR No.	Description
096-610	Tension Latch, Basic Type
096-H01-1M	Tension Latch, Secondary Lock Type
096-H03-1A	Strike (See bottom of page)

GENERAL INFORMATION



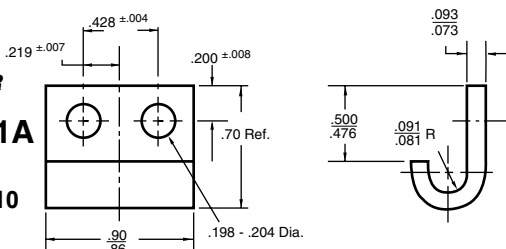
BASIC TYPE - 096-610



APPROX. .21 DRAWHOOK ADJUSTMENT IN EITHER DIRECTION FOR BASIC & SECONDARY LOCK TYPE
APPROX. .17 FOR HASP TYPE

SPAENAUR No. 096-H03-1A

PKG QTY. 10



STRIKE for 096-610, 096-H01-1M Latches

Finish	Material	Type Mounting	Hole Dia.
Zinc	Steel	Rivet	.198-.204"

Order Clamp and Strike separately.

Inch

Tension Latches / Latch & Lock Parts

Pouce

Loquets à tension / Pièces pour loquets et verrous

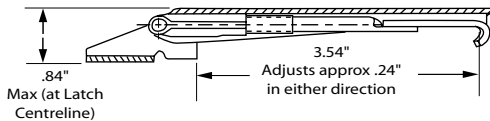
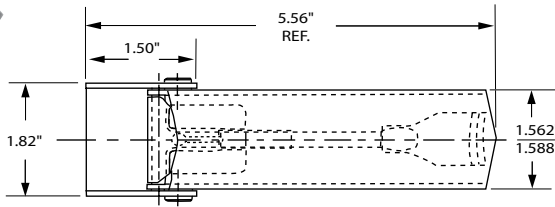
**Adjustable Tension Latches
Designed To Save You Time.**

Ultimate strength 1000 lbs.
Working strength 650 lbs.

ADVANTAGES:

- Adjustment range of approximately .48"
- All metal construction
- Vibration proof, overcentre toggle geometry assures positive lock
- Handle design permits storage of the drawhook within the handle for protection when in the open position

STEEL BASE
WELD MOUNTING
PKG QTY. 1



WELD TYPE:
NO HOLES

TOLERANCE:
2 PL DEC. ± .02
3 PL DEC. ± .010

SPAENAUR No.	Base	Drawhook, Tee-nut Pivot pin & pivot Rivets	Handle	Weight
096-623	Steel Zinc Plated	Stainless Steel	Cadmium Plated per QQ-P-416 Class 2, Type II	.27 lb

Adjustable Tension Latch

STAINLESS STEEL

Mechanical Attachment
(See below)



SPAENAUR
No.
096-800

PKG QTY. 1

Strength: 500 lbs. ultimate; 350 lbs. working.

Grade 18-8 (Series 300)
STAINLESS STEEL

(Passivated)

Operating Action: Under-Centre Take-up: .500" minimum.
Adjustment: Threaded drawhook: up to .300"

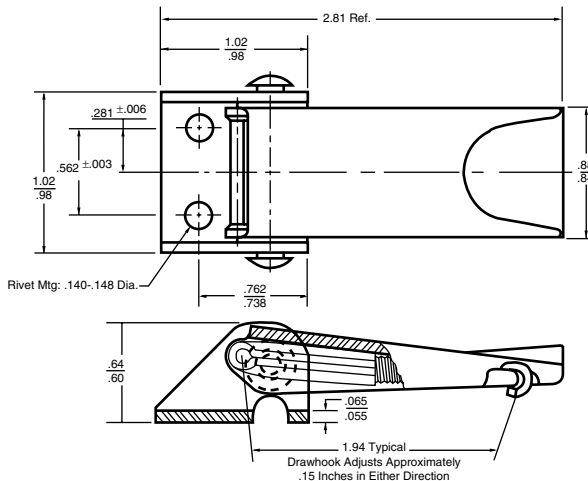


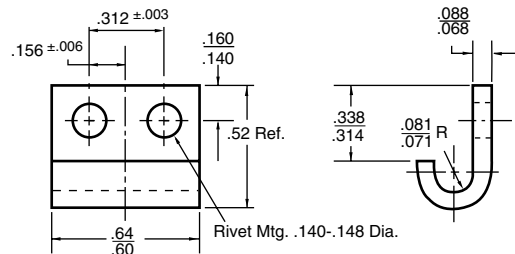
Illustration Dimensions in
Inches.

SPAENAUR No. 096-801
PKG QTY. 5

STAINLESS STEEL STRIKE
(Use with No. 096-800 Latch)

Mechanical Attachment:

1. Locate and form holes for latch and strike.
2. Attach latch and strike with screws or rivets (not supplied).



See the complete range of SPAENAUR Clamp Fasteners: Pages L17 to L27.

Order Latch and Strike separately.

CATALOG 14 SPAENAUR