

**Multi-Purpose Tee Handles**

Inch

**Poignées en T multifonctions**

Pouce

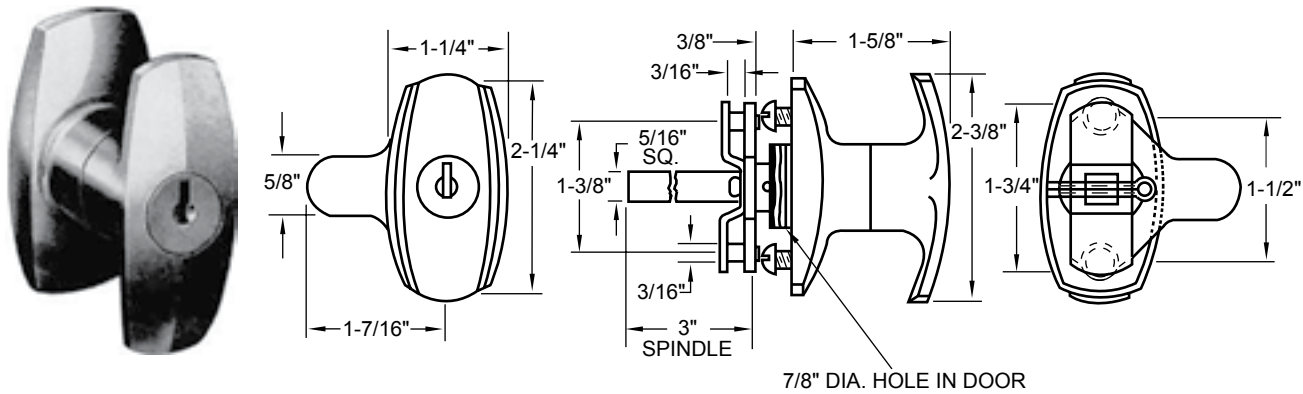
**D-1406 Series TEE HANDLES**

For steel lockers, cupboards, office furniture, electrical cabinets and equipment panels.

3-point locking mechanism (removable): a plated steel cam and bolt pick-up mechanism is supplied to enable espagnolette bolt action to be used. (Locking rods are not supplied.)

Each handle has a 3" long spindle which may be cut down by user to required length. (Special spindle lengths may be supplied on a special order basis. Minimum quantity 500 one number or assorted in D-1406 Series.)

ZINC BASE DIE-CASTINGS  
**Chrome Plated Finish**



**D-1406R**

**SPAENAUR**  
*No.*

**DESCRIPTION**

**For MORE HANDLES**  
See Pages L6, L11, L33 to L53.

Series 92

<b>D-1406R</b>	Locking handle, with 2 keys, all to differ, for fixing to <b>right</b> edge of left door. Action 90° anti-clockwise to open.
<b>D-1406L</b>	Locking handle, with 2 keys, all to differ, for fixing to <b>left</b> edge of right door. Action 90° clockwise to open.
<b>D1406RKA</b>	Locking handle, with 2 keys, all keyed alike for fixing to <b>right</b> edge to left door. Action 90° anti-clockwise to open.
<b>D-1406LKA</b>	Locking handle, with 2 keys, all keyed alike, for fixing to <b>left</b> edge of right door. Action 90° clockwise to open.
<b>D-1406RMK</b>	Locking handle, master keyed, with 2 keys, all to differ, for fixing to <b>right</b> edge of left door. Action 90° anti-clockwise to open.
<b>D-1406LMK</b>	Locking handle, master keyed, with 2 keys, all to differ, for fixing to <b>left</b> edge of right door. Action 90° clockwise to open.
<b>D-1406NR</b>	Non-locking handle, for fixing to <b>right</b> edge of left door. Action 90° anti-clockwise to open.
<b>D-1406NL</b>	Non-locking handle, for fixing to <b>left</b> edge of right door. Action 90° clockwise to open.
<b>D-1406D</b>	Dummy fixed handle, non-operating, no spindle, no locking mechanism. Acts as a door pull or to give balance to the operating handle.

**PKG QTY. 1**

**To order Master Keys and for Additional Data see page L2.**

The quality and appearance of your product will be greatly enhanced by the use of these elegant SPAENAUR handles.

Inch

**Cam Latches & Locks / Tee Handles**

Pouce

Loquets à came et serrures / poignées en T

**D-1414 Series CAM LOCKS (Utility Locks)**

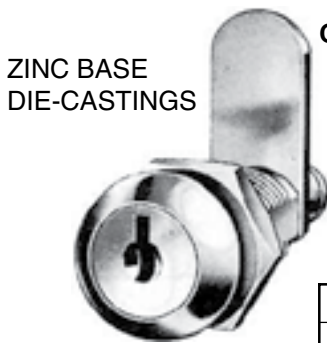
For steel and wooden cabinets, lockers, drawers, office furniture and equipment, cubicles, control panels, vending machines, meters, etc. Manufactured to North American standards.

5/8" long under escutcheon to locking cam. Locking cams can be assembled in four different positions by the user: 90° - 180° - 270° - 360°. Standard straight cam as shown. (Others cams available to special order).

180° movement of key one way, either clockwise or anti-clockwise as required, key being free in both positions. (Other movements available to special order.)

**Additional data on Page L2.**

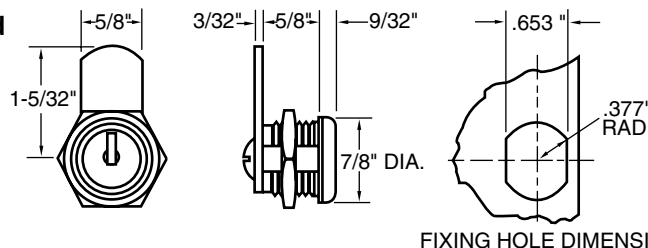
FIXING: The lock is fixed by means of a nut.



ZINC BASE DIE-CASTINGS

Chrome Plated Finish

Series 92



For Straight Hooked Cam - See Page L10.

FIXING HOLE DIMENSIONS

SPAENAUR No.	DESCRIPTION
D-1414	Cam lock, with 2 keys, all to differ.
D-1414KA	Cam lock, with 2 keys, all keyed alike.
D-1414MK	Cam lock, master keyed, with 2 keys, all to differ.

PKG QTY. 1

To order Master Keys see page L2.

**Series 92 TEE HANDLES**

**For Automotive and Multi-Purpose Applications**

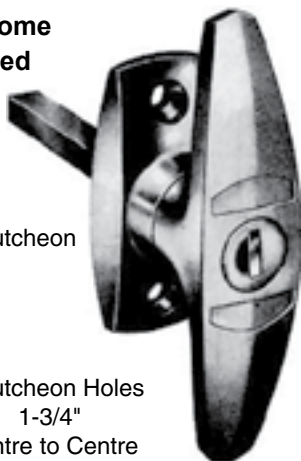
Each handle has a 5" long spindle which may be cut by user to required length. (Special spindle lengths may be supplied on a special order basis. Minimum quantity 500 of one number on special spindle length orders.)

For additional data see page L2.

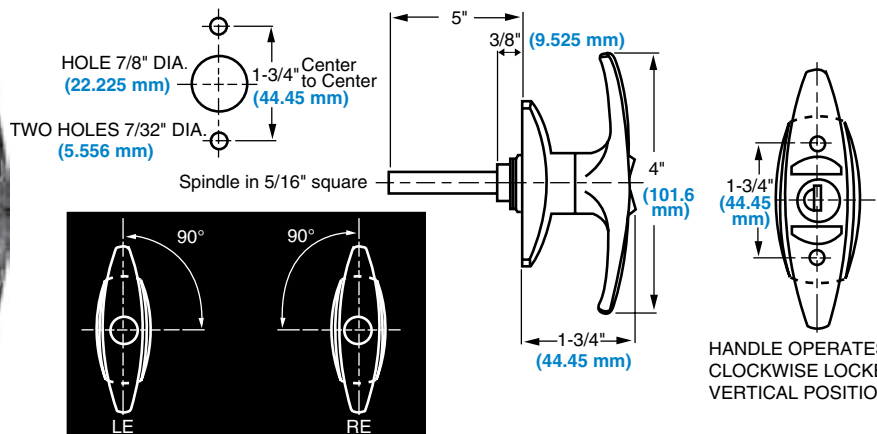
Chrome Plated

Flat Escutcheon

Escutcheon Holes 1-3/4" Centre to Centre



ZINC BASE DIE-CASTINGS



HANDLE OPERATES 90° CLOCKWISE LOCKED IN VERTICAL POSITION SHOWN

SPAENAUR No.	DESCRIPTION
096-240	Locking handle, with 2 keys, all to differ. Action 90° clockwise to open.
096-242	Locking handle, with 2 keys, all keyed alike. Action 90° clockwise to open.

PKG QTY. 1

All above No's. for fixing to Right or Left edge.

See page L8 for more Tee Handles.