

Concrete Fastening System

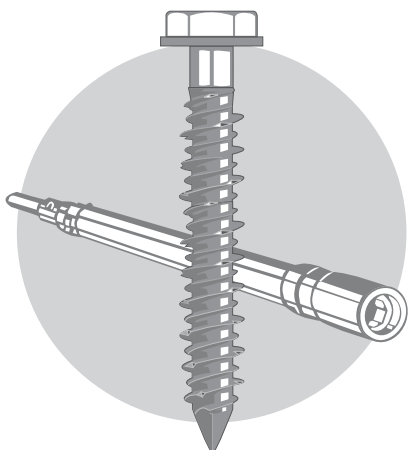
Système de fixations pour le béton



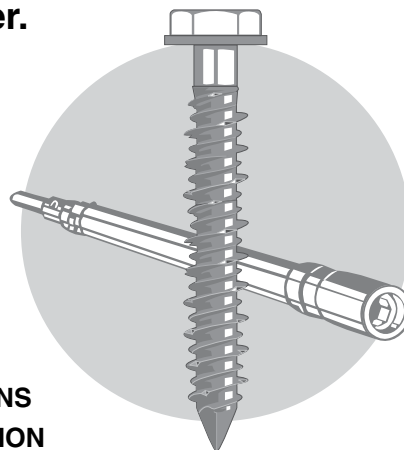
Inch
Pouce

B

The anchor that literally taps threads into concrete - for exceptionally reliable holding power.

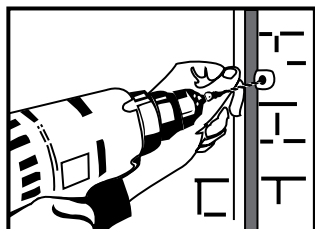


See facing page for CONDRIVE® TOOL components



**INSTALLATION INSTRUCTIONS
INSTRUCTIONS D'INSTALLATION**

makes fastening in concrete as easy as fastening in wood...



TO DRILL:

- Place drill adapter with drill bit into chuck of hammer drill or electric drill and drill pilot hole into concrete. Hole should be a minimum of 1/4" (6.3 mm) deeper than anchor will be embedded.

TO CHANGE DRILL BIT:

- Loosen set screw on side of drill adapter.
- Remove old drill bit and insert new one.
- Tighten set screw.

POUR PERCER:

- Placez l'adaptateur et la mèche dans le mandrin du marteau-perforateur ou de la perceuse électrique. Percez un trou de guidage dans le béton. La profondeur de ce trou doit être supérieure de 1/4" de po (6.3 mm) au moins à celle de l'enfoncement de l'ancrage.

POUR CHANGER LA MÈCHE:

- Desserrez la vis de réglage sur le côté de l'adaptateur.
- Enlevez la mèche usagée et insérez une mèche neuve.
- Resserrez la vis de réglage.

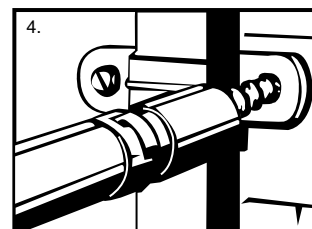
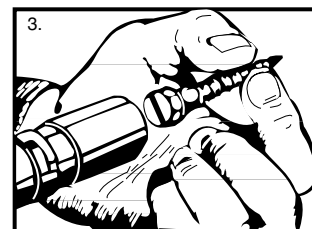
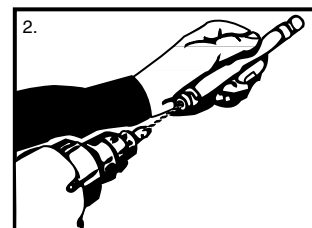
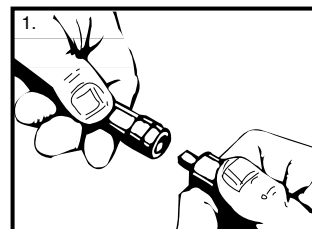
TO DRIVE:

1. Snap appropriate hex or Phillips driver into small end of drive sleeve.
2. Slide end of drive sleeve over drill bit and snap onto drill adapter.
3. Insert head of Tapcon anchor into hex or Phillips driver.
4. Insert anchor into pre-drilled hole in concrete and drive until anchor is fully seated. Driver will automatically disengage from head of anchor to prevent over-driving.

POUR ENFONCER:

1. Placez la douille à tête hexagonale ou à tête Phillips sur la plus petite extrémité du manchon.
2. Glissez le manchon par-dessus la mèche et fixez-le à l'adaptateur.
3. Insérez la tête de l'ancrage TAPCON dans la douille hexagonale ou pour tête Phillips.
4. Positionnez l'ancrage dans le trou déjà percé dans le béton et enfoncez jusqu'à ce qu'elle soit bien en place. La douille libérera automatiquement la tête de l'ancrage pour empêcher un enfoncement excessif.

®A Registered Trade Mark of ITW Canada Inc.



permet de placer des fixations dans le béton aussi facilement que dans du bois.

Inch
Pouce



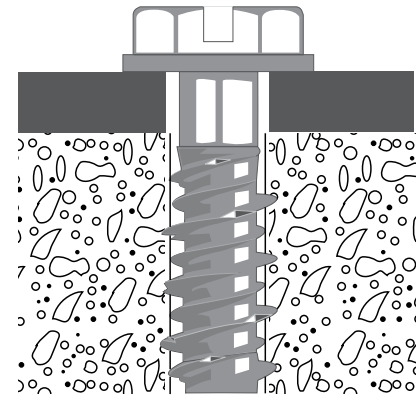
Drills / Bits / Set Screws / Hex Keys / Tools

Perceuses / Embouts / Vis de pression / Clés hexagonales / Outils

**Components of Complete Tool
SPAENAUR No. 876-500**

LETTER	PART DESCRIPTION	SPAENAUR No.	MFG. NO. PART NO.
A	1/4" (6.35 mm) Hex Driver	876-352	790-1006
	5/16" (7.94 mm) Hex Driver	876-353	790-1007
B	#2 Phillips Bit	876-142	790-1008
	#3 Phillips Bit	876-143	790-1009
C	Phillips Driver Adapter	876-354	790-1010
D	1/4-28 Socket Set Screw (2 required)	SS-117	790-2006
F1	Drive Sleeve (Std.) 5-7/8" (149.2 mm)	876-356	790-1002
F3	Drive Sleeve (Extra Long) 6-7/8" (174.6 mm)	876-358	790-1015
G	5/32" (3.97 mm) Ball Bearing	876-359	790-1004
H	Detent Spring (2 required)	876-360	790-1003
I	1/8" (3.18 mm) Ball Bearing	876-361	790-2008
J	Carbide Drill Bit* (see note)		
	5/32" x 3-1/2" (3.97 mm x 88.9 mm)	875-159	790-0814
	5/32" x 4-1/2" (3.97 mm x 114.3 mm)	875-160	790-0818
	5/32" x 5-1/2" (3.97 mm x 139.7 mm)	875-161	790-0822
	3/16" x 3-1/2" (4.76 mm x 88.9 mm)	875-162	790-1014
	3/16" x 4-1/2" (4.76 mm x 114.3 mm)	875-163	790-1018
	3/16" x 5-1/2" (4.76 mm x 139.7 mm)	875-164	790-1022
	3/16" x 6-1/2" (4.76 mm x 165.1 mm)	875-165	790-1026
K	Drill Adapter	876-362	790-1001
L	1/8" (3.18 mm) Hex Key	SS-65K	790-2010

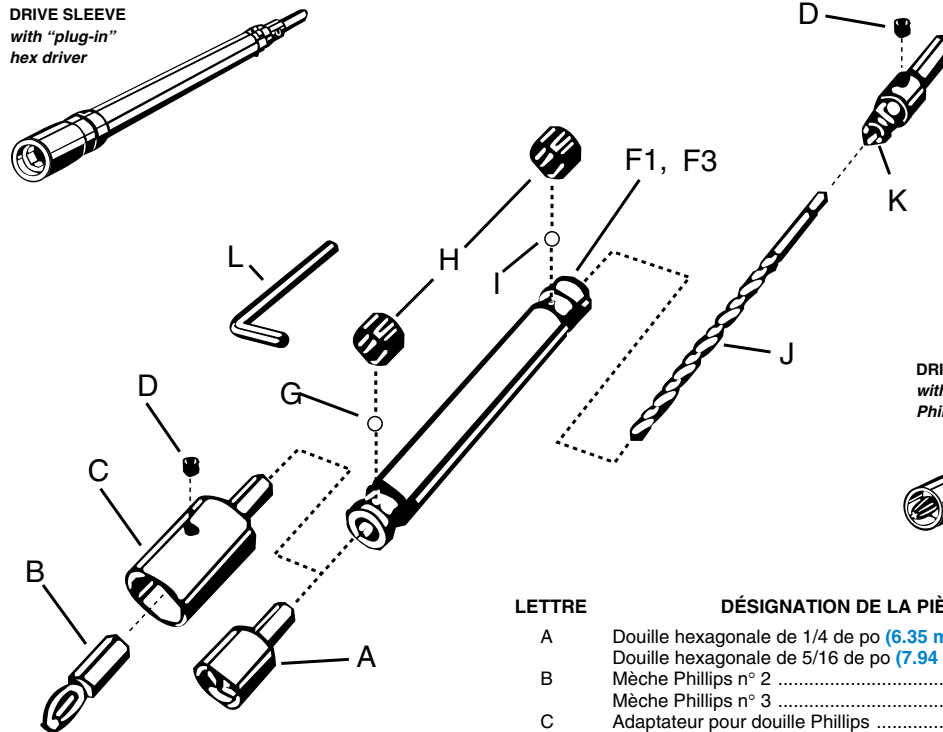
**CONDRIVE® 1000 COMPONENTS
PIÈCES DU CONDRIVE® 1000**



See pages
B74 to B77
for
TAPCON®

CONCRETE FASTENING SYSTEM
DE FIXATION DANS LE BÉTON

DRIVE SLEEVE
with "plug-in"
hex driver



DRIVE SLEEVE
with "plug-in"
Phillips driver

LETTRE	DÉSIGNATION DE LA PIÈCE	SPAENAUR No.	MFR'S PIÈCE N°
A	Douille hexagonale de 1/4 de po (6.35 mm)	876-352	790-1006
	Douille hexagonale de 5/16 de po (7.94 mm)	876-353	790-1007
B	Mèche Phillips n° 2	876-142	790-1008
	Mèche Phillips n° 3	876-143	790-1009
C	Adaptateur pour douille Phillips	876-354	790-1010
D	Vis de réglage de la douille de 1/4-28 (2 nécessaires)	SS-117	790-2006
F1	Manchon pour enfoncer (régulière) 5-7/8 po (149.2 mm)	876-356	790-1002
F3	Manchon pour enfoncer (extra long) 6-7/8 po (174.6 mm)	876-358	790-1015
G	Roulement à billes de 5/32 de po (3.97 mm)	876-359	790-1004
H	Ressort de détente (2 nécessaires)	876-360	790-1003
I	Roulement à billes de 1/8 de po (3.18 mm)	876-361	790-2008
J	Mèche au carbure* (voir remarque)		
	5/32 de po x 3-1/2 po (3.97 mm x 88.9 mm)	875-159	790-0814
	5/32 de po x 4-1/2 po (3.97 mm x 114.3 mm)	875-160	790-0818
	5/32 de po x 5-1/2 po (3.97 mm x 139.7 mm)	875-161	790-0822
	3/16 de po x 3-1/2 po (4.76 mm x 88.9 mm)	875-162	790-1014
	3/16 de po x 4-1/2 po (4.76 mm x 114.3 mm)	875-163	790-1018
	3/16 de po x 5-1/2 po (4.76 mm x 139.7 mm)	875-164	790-1022
	3/16 de po x 6-1/2 po (4.76 mm x 165.1 mm)	875-165	790-1026
K	Adaptateur pour percer	876-362	790-1001
L	Clé hexagonale de 1/8 de po (3.18 mm)	SS-65K	790-2010

***NOTE:** Drill bit is not included with Condrive 1000 Tool. One drill bit is included with each box of Tapcon Anchors.

The products on this page are covered by one or more of the following U.S. Patents: 3,937,199 and 3,965,510. Canadian and other patents pending.

***REMARQUE:** La mèche n'est pas livrée avec l'outil CONDRIVE 1000. Cependant, une mèche est jointe à chaque boîte d'ancres TAPCON.

Les produits illustrés sur cette page sont protégés par un ou plusieurs des brevets américains suivants: 3937119 et 3965510. Brevets canadiens et autres en attente.

*A Registered Trade Mark of ITW Canada Inc.

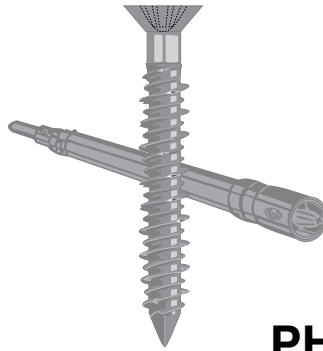
Concrete Screws / Anchor Installation Tools

Vis à béton / Outils d'installation d'ancrages



Inch
Pouce

ALL-NEW MASONRY ANCHOR SYSTEM. EASIER, FASTER, STRONGER, ECONOMICAL.



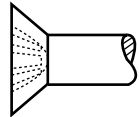
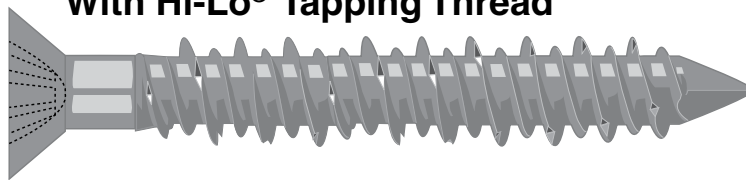
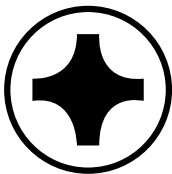
CONCRETE ANCHOR SYSTEM

3/16" and 1/4" DIAMETER

(82° COUNTERSUNK)
PHILLIPS FLAT HEAD

With Hi-Lo® Tapping Thread

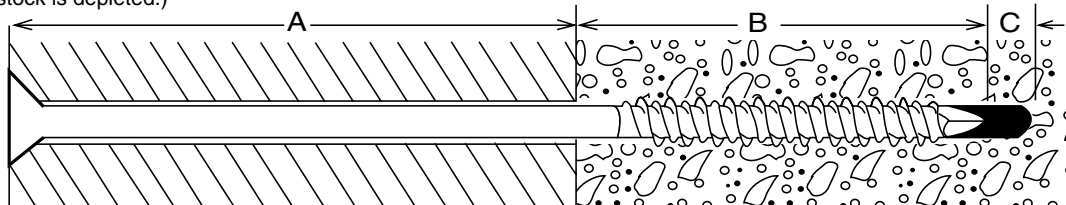
C-1022 STEEL
Case-hardened



Finish: Blue CLIMASEAL® Organometallic Polymer Coating. (Some blue corrosion resistant zinc electroplated screws are still available and will be supplied until present stock is depleted.)

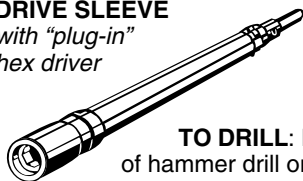
	Min.	Max.
B Embedment in Concrete	1"	1-1/4"
C Additional Hole depth	1/4"	

SELECTOR GUIDE



TAPCON SCREW ANCHOR SIZE A + B	PKG QTY. 100 ANCHORS with 1 Drill Bit SPAENAUR No.		A + B + C DRILL BIT SIZE		DRILL BIT PKG QTY. 1 SPAENAUR No.	
	Dia.	Length	Drill Bit Dia.	Length		
3/16"		x 1-1/4"	5/32"	x 3-1/2"	875-159	
		x 1-3/4"		x 4-1/2"	875-160	
		x 2-1/4"		x 5-1/2"	875-161	
		x 2-3/4"		3/16"	x 3-1/2"	875-162
		x 3-1/4"			x 4-1/2"	875-163
		x 4"			x 5-1/2"	875-164
x 5"	x 6-1/2"	875-165				
1/4"		x 1-1/4"	3/16"	x 3-1/2"	875-162	
		x 1-3/4"		x 4-1/2"	875-163	
		x 2-1/4"		x 5-1/2"	875-164	
		x 2-3/4"		3/16"	x 3-1/2"	875-162
		x 3-1/4"			x 4-1/2"	875-163
		x 4"			x 5-1/2"	875-164
x 5"	x 6-1/2"	875-165				

DRIVE SLEEVE
with "plug-in"
hex driver

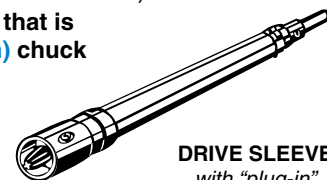


SPAENAUR No. 876-500 TOOL (Mfrs. No. CONDRIVE® 1000)

The Condrive 1000 is a multi-purpose installation tool that is inserted into a 3/8 inch (9.53 mm) or 1/2 inch (12.7 mm) chuck of a standard hammer drill or electric drill.

TO DRILL: Place drill adapter with drill bit into chuck of hammer drill or electric drill and drill pilot hole into concrete. Hole should be a minimum of 1/4" deeper than anchor will be embedded.

TO DRIVE: Snap appropriate hex Phillips bit into small end of drive sleeve.



DRIVE SLEEVE
with "plug-in"
Phillips driver

Inch

Pouce



Concrete Screws / Anchor Installation Tools

Vis à béton / Outils d'installation d'ancrages

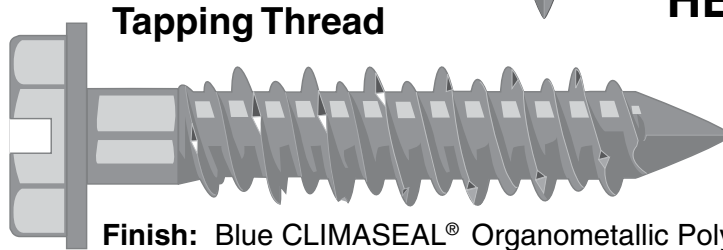
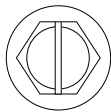
THE ALL-NEW MASONRY ANCHOR SYSTEM. EASIER, FASTER, STRONGER, ECONOMICAL.

CONCRETE ANCHOR SYSTEM
3/16" and 1/4" DIAMETER

SLOTTED HEX WASHER HEAD

C-1022 STEEL

Case Hardened With Hi-Lo®



Tapping Thread

Finish: Blue CLIMASEAL® Organometallic Polymer Coating.

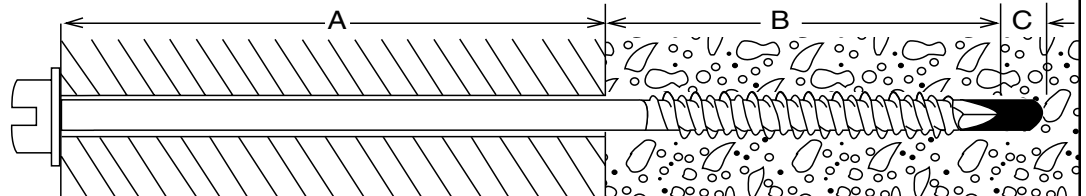
(Some blue corrosion resistant zinc electroplated screws are still available and will be supplied until present stock is depleted.)

Anchor Size 3/16" Dia. - 1/4" width across flats
1/4" Dia. - 5/16" width across flats

B Embedment in concrete
C Additional hole depth

min. max.
1" 1-1/4"
1/4"

SELECTOR GUIDE



TAPCON SCREW ANCHOR SIZE A + B	PKG QTY. 100 ANCHORS with 1 Drill Bit SPAENAUR No.	A + B + C DRILL BIT SIZE		DRILL BIT PKG QTY. 1 SPAENAUR No.							
		Dia.	Length		Drill Bit Dia.	Length					
3/16"	x 1-1/4"	506-002	5/32"	x 3-1/2"	875-159						
	x 1-3/4"					506-003					
	x 2-1/4"						506-004				
	x 2-3/4"							506-005			
	x 3-1/4"								506-006		
	x 4"									506-007	
x 1-1/4"	506-010	3/16"	x 4-1/2"	875-160							
1/4"	x 1-3/4"				506-011	3/16"	x 5-1/2"	875-161			
	x 2-1/4"								506-012		
	x 2-3/4"									506-013	
	x 3-1/4"										506-014
	x 4"										
	x 5"	506-016	x 6-1/2"	875-162							
1/4"	x 1-3/4"	506-011			3/16"	x 3-1/2"	875-163				
	x 2-1/4"							506-012			
	x 2-3/4"								506-013		
	x 3-1/4"									506-014	
	x 4"										506-015
	x 5"		506-016	x 4-1/2"							
1/4"	x 1-3/4"	506-011	3/16"		x 5-1/2"	875-164					
	x 2-1/4"						506-012				
	x 2-3/4"							506-013			
	x 3-1/4"								506-014		
	x 4"									506-015	
	x 5"			506-016							x 5-1/2"
1/4"	x 1-3/4"	506-011	3/16"	x 6-1/2"	875-165						
	x 2-1/4"					506-012					
	x 2-3/4"						506-013				
	x 3-1/4"							506-014			
	x 4"								506-015		
	x 5"									506-016	

TAPCON®

DRILL BITS

ONE DRILL BIT IS PROVIDED WITH EVERY BOX OF 100 TAPCON ANCHORS.

Use only TAPCON high-quality, carbide tipped MASONRY DRILL BITS for installation of all TAPCON Anchors.



Typical TAPCON Drill Bit. See above (right) for available sizes. For max. life, use only in Hammer-type Drills. Rotary drills reduce bit life.

B