
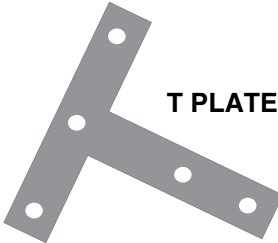


Inch

Braces / Brackets / Mending Plates

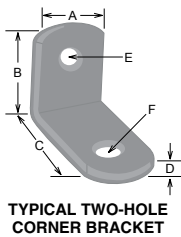
Pouce

Équerres / Ferrures / Plaques de fixation

All items: STEEL Finish: Zinc Plated	SPAENAUR No.	Size	Total Holes	Countersunk Hole Size	Strap Width	Gauge of Metal
 <p>INSIDE CORNER BRACE</p>	073-018	2" x 2"	4	#8	5/8"	.104"
	073-019	2-1/2" x 2-1/2"	4	#8	5/8"	.119"
	073-T05-1C	4" x 4"	4	#10	7/8"	.105"
	073-T03-1P	5" x 5"	6	#10	1"	.156"
 <p>T PLATE</p>	073-052	3" x 3"	5	#8	3/4"	.095"
	073-046	5" x 5"	5	#9	1"	.083"

**All Above Items
PKG QTY. 10**

ANGLE OR CORNER BRACKETS - OF STEEL

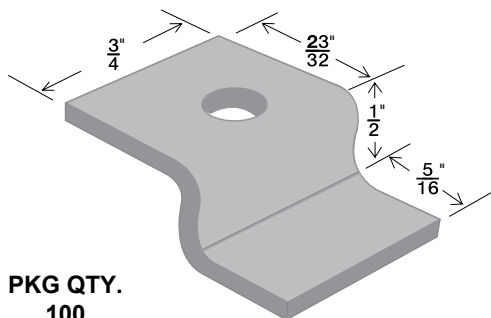


SPAENAUR No.	WIDTH A	OVERALL ARM LENGTHS		GAUGE D	HOLE DETAIL			FINISH	PKG QTY.
		B	C		E	F	G		
Two-hole Style									
073-008	1/2"	9/16"	1/2"	.062"	.165"(P)	8-32(T)	-	Tin Pl.	50
073-053	1/2"	3/4"	3/4"	.060"	.164"(P)	.164"(P)	-	Zinc Pl.	50
*073-T02-1A	1/2"	1 ¹ / ₁₆ "	1 ¹ / ₁₆ "	.062"	.156"(P)	.156"(P)	-	Zinc Pl.	100
073-004	5/8"	1 ¹ / ₁₆ "	1 ¹ / ₁₆ "	.120"	.250"(C)	.250"(C)	-	Zinc Pl.	50
073-007	3/4"	11/16"	1 ¹ / ₁₆ "	.075"	.187"(P)	.187"(P)	-	Zinc Pl.	50
*073-006	3/4"	1 ¹ / ₂ "	1 ¹ / ₂ "	.072"	.218"(P)	.218"(P)	-	Zinc Pl.	50

(P) Plain (T) Tapped (C) Countersunk



* Rib Reinforced Angle



SHELF SUPPORT CLIP

Steel-Zinc Plated

C-792

Style: 1/2" Offset

Material Thickness: 1/16" (.062")

Hole Diameter: 7/32" (.219")