

Inch and Metric

Pouce et Métrique

Riveting Tools / Replacement parts

Outils de rivetage / pièces de rechange



**360°
Swivel
Head**

**Rivet, Nut & Anchor
Riveting Tools**

SPAENAUR No.
876-1000 Inch Tool
877-1000 Metric Tool

Both tools come complete for installing Rivets, Wall Anchors, and AO™, AT™ and AW® Inserts.

In Handy Plastic Case

Not recommended for AK™, AL™, AH™ or Rivet Nut type Inserts.

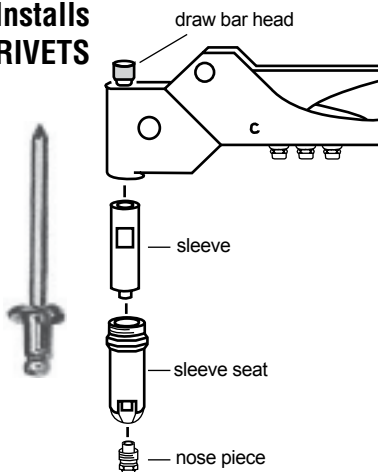
Replacement Parts are in stock at SPAENAUR.

PKG QTY. 1

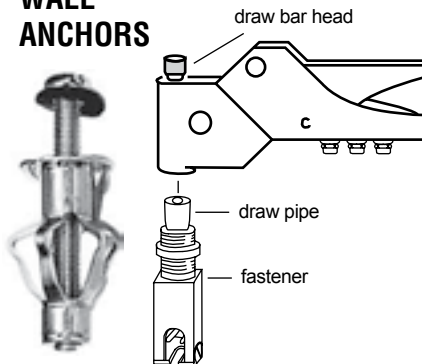
876-1000 Inch Tool complete.		877-1000 Metric Tool complete	
SPAENAUR No.		SPAENAUR No.	
876-1016	3/32" Nose Piece	876-1016	2.4 mm (3/32") Nose Piece
876-1017	1/8" Nose Piece	876-1017	3.2 mm (1/8") Nose Piece
876-1018	5/32" Nose Piece	876-1018	4.0 mm (5/32") Nose Piece
876-1019	3/16" Nose Piece	876-1019	4.8 mm (3/16") Nose Piece
876-1020	2 Piece Jaws	876-1020	2 Piece Jaws
876-1021	Spring	876-1021	Spring
876-1009	#4-40 Draw Bar/Fixing Screw	877-1001	M3 x 0.50 Pitch Draw Bar/Fixing Screw
876-1010	#8-32 Draw Bar/Fixing Screw	877-1002	M4 x 0.70 Pitch Draw Bar/Fixing Screw
876-1011	#10-24 Draw Bar/Fixing Screw	877-1003	M5 x 0.80 Pitch Draw Bar/Fixing Screw
*876-1556	#10-32 Draw Bar/Fixing Screw	877-1004	M6 x 1.00 Pitch Draw Bar/Fixing Screw
876-1012	1/4"-20 Draw Bar/Fixing Screw	876-1014	Draw Pipe and Fastener
876-1014	Draw Pipe and Fastener	876-1015	Sleeve Seat
876-1015	Sleeve Seat	876-1022	2 Wrench Set
876-1022	2 Wrench Set		

*Available but not included in kit.

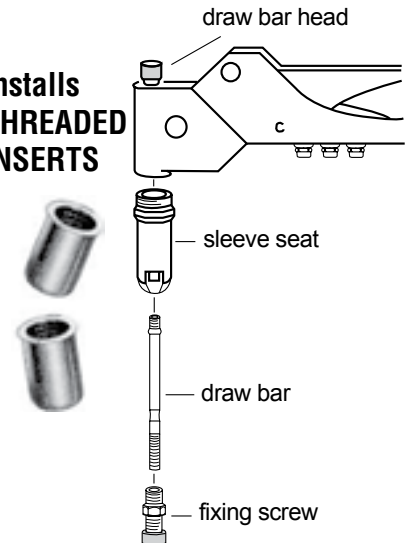
Installs RIVETS



Installs WALL ANCHORS



Installs THREADED INSERTS



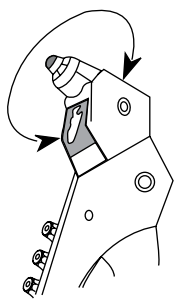
Accessories for Riveting & Threaded Insert Tools

Inch

Accessoires de rivetage et outils pour inserts filetés

Pouce

PKG QTY. 1



**360°
Swivel
Head**

SPAENAUR
No.

**876-1001
Hand Riveting
Tool**



(Rivets are not included.)

The ideal Hand Riveting Tool for setting blind rivets in normal or tough-to-get-at-spots because of the 360° Swivel Head.

SPAENAUR No. **876-1001** is the complete Hand Riveting Tool for setting 3/32", 1/8" and 5/32" dia. rivets of steel or aluminum and 3/16" dia. rivets of aluminum only.

Replacement parts are readily available from SPAENAUR.

Spaenaur No.	Rivet Diameter	
876-1002	3/32" (2.4 mm)	Nose Piece
876-1003	1/8" (3.2 mm)	Nose Piece
876-1004	5/32" (4.0 mm)	Nose Piece
876-1005	3/16" (4.8 mm)	Nose Piece

Spaenaur No.	
876-1006	Wrench
876-1007	2-Piece Jaws
876-1008	Spring

For POP Rivet Tools see pages E29-E30

CATALOG 14

SPAENAUR