

Inch

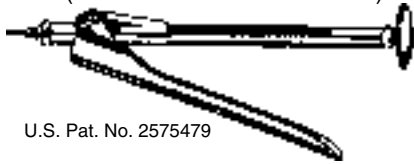
Accessories for Rivet & Threaded Insert Tools

Pouce

Accessoires pour outils pour rivets et inserts filetés

T-6000 SPEED HEADER

(FOR LIGHT PRODUCTION)



U.S. Pat. No. 2575479

Operating a push-pull knob on the handle threads the Rivet Nut on and off the pull-up stud. Knurled barrel is held in palm of hand and lever is squeezed, retracting pull-up stud and producing Rivet Nut bulge.

SPAENAUR No.	Thread Size
876-736	4-40
T-6000-6/32	6-32
T-6000-8/32	8-32
T-6000-10/32	10-32
T-6000-1/4-20	1/4-20

Note: Extra studs should be ordered with tool.

OPERATING RANGE

RIVET NUT MATERIAL	#4	#6	#8	#10	1/4"	5/16"	3/8"	1/2"
ALUMINUM	X	X	X	X				
BRASS & STEEL	X	X	X					
STAINLESS STEEL	X	X						

X RECOMMENDED ADEQUATE BUT BORDERLINE STRENGTH-RECOMMEND POWER TOOL

WRENCH TYPE HEADER

for FIELD REPAIR and EXPERIMENTAL USE with Aluminum, Brass, Steel and Stainless Steel Materials.



U.S. Patent No. 2641378

T-845 Series

Wrench Type Header for Thread Sizes 6-32 to 1/4"-28. Replacement Pull Up Stud available.

SPAENAUR No.	Thread Size	Pull Up Stud Replacement Part No.
T-845 Series		
T-845-6-32	6-32	876-1795
T-845-8-32	8-32	876-1796
876-725	10-24	876-1798
T-845-10-32	10-32	876-1797
T-845-1/4-20	1/4"-20	876-1799
876-726	1/4"-28	876-1800
T-722 Series		
T-722-5/16-18	5/16"-18	876-1801
T-722-5/16-24	5/16"-24	876-1802
T-722-3/8-16	3/8"-16	876-1803
T-722-3/8-24	3/8"-24	876-1804
T-722-1/2-13	1/2"-13	876-1805
T-722-1/2-20	1/2"-20	876-1806

OPERATING RANGE

HEADER TYPE	RIVET NUT MATERIAL	#4	#6	#8	#10	1/4"	5/16"	3/8"	1/2"
T-845	ALUMINUM	X	X	X	X	X			
	BRASS & STEEL	X	X	X	X	X			
	STAINLESS STEEL	X	X	X	X	X			
T-722	ALUMINUM						X	X	X
	BRASS & STEEL						X	X	X
	STAINLESS STEEL						X	X	X

T-722 Series

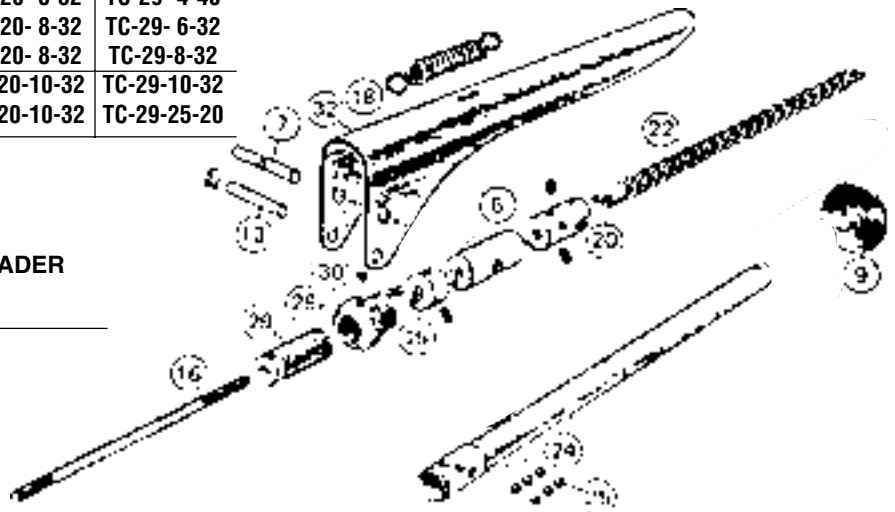
Designed for larger sizes that require pull-up loads greater than provided with lever type hand tool. Sold only as a unit. Replacement Pull Up Stud available. Suitable for field and experimental installation.

T-6000 SPEED HEADER CONVERSION PARTS

The following parts are required to convert the T-6000 Speed Header to other sizes.

Thread	Collar	Pull-up Stud	Coupling	Anvil
4-40	TC-15- 4-40	TC-16- 4-40	TC-20- 8-32	TC-29- 4-40
6-32	TC-15- 6-32	TC-16- 6-32	TC-20- 8-32	TC-29- 6-32
8-32	TC-15- 8-32	TC-16- 8-32	TC-20- 8-32	TC-29-8-32
10-32	TC-15-10-32	TC-16-10-32	TC-20-10-32	TC-29-10-32
1/4-20	TC-15-10-32	TC-16-25-20	TC-20-10-32	TC-29-25-20

*Specify Thread Size



SERVICE PARTS FOR T-6000 HEADER

SPAENAUR No.	ILLUST. No	DESCRIPTION
876-703	6	PLUNGER
876-704	7	CROSS PIN
876-706	9	KNOB
876-708	13	HINGE PIN
*TC-15	15	COLLAR
*TC-16	16	PULL-UP STUD
876-710	18	SPRING
*TC-20	20	COUPLING
876-712	22	OPERATING SCREW
876-713	24	OPERATING SLIDE AND NUT
876-714	25	3/16" HARDENED STEEL BALLS
876-716	28	ADJUSTABLE ANVIL SLEEVE
*TC-29	29	ADJUSTABLE ANVIL
876-717	30	BRASS SET SCREW (8-32 x 3/16")
876-719	32	SQUEEZE HANDLE


PKG QTY. 1 - All items on this page

Metric

Accessories for Rivet & Threaded Insert Tools

Métrique


Accessoires pour outils pour rivets et inserts filetés



SPAENAUR No. 877-C34-1P
HAND-SETTING PLIER

PKG QTY. 1

Includes Mandrel and Nozzle for **M3** Rivet Nut. Interchangeable larger sizes of Mandrel and Nozzle must be ordered separately.



SPAENAUR No. 877-605 SPEED HEADER
(FOR LIGHT PRODUCTION)

Tool includes Mandrel & Nozzel for installing size **M3** Rivet Nut.

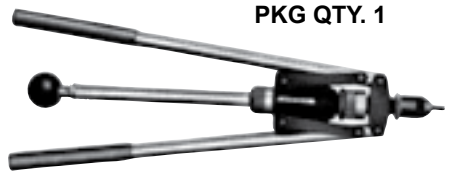
Interchangeable larger sizes of Mandrel and Nozzle must be ordered separately.

PKG QTY. 1

MANDREL	NOZZLE	Thread Size	ALUM.	BRASS	STEEL	MANDREL	NOZZLE	Thread Size	ALUM.	BRASS	STEEL
877-C35-1Y	877-C35-1Y	M3	✓	✓	✓	877-658 877-660	877-663	M3	✓	✓	✓
877-C36-1C	877-C36-1C	M4	✓	✓	✓			M4	✓	✓	✓
877-C37-1N	877-C37-1N	M5	✓	✓	✓			M5	✓	✓	✓
877-C38-1T	877-C38-1T	M6	✓								

SPAENAUR No. 877-C29-1M
LAZY TONG HEADER

PKG QTY. 1



Includes Mandrel and Nozzle for **M5** Rivet Nut. Interchangeable larger sizes of Mandrel and Nozzle must be ordered separately.

MANDREL	NOZZLE	Thread Size	ALUM.	BRASS	STEEL
877-C30-1W	877-C30-1W	M5	✓	✓	✓
877-C31-1M	877-C31-1M	M6	✓	✓	✓
877-C32-1X	877-C32-1X	M8	✓	✓	✓
877-C33-1A	877-C33-1A	M10	✓		



INSTALLATION TOOL TYPES



The expendable tool is used for lower consumer cost or field installations.



The lever or plier style tools are used for experimental or field installations.



The pneumatic and battery tool is used for production line work.



Automation system can be used for installations

CATALOG 14 SPAENAUR