

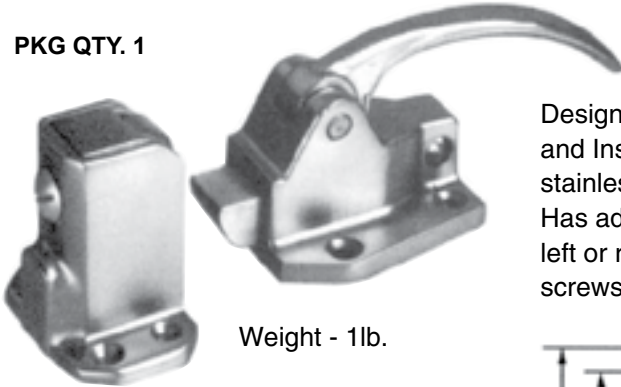
Inch

Refrigeration Trip Lock Slam Latches

Pouce

Loquets à ressort avec fermail basculant pour réfrigérateurs

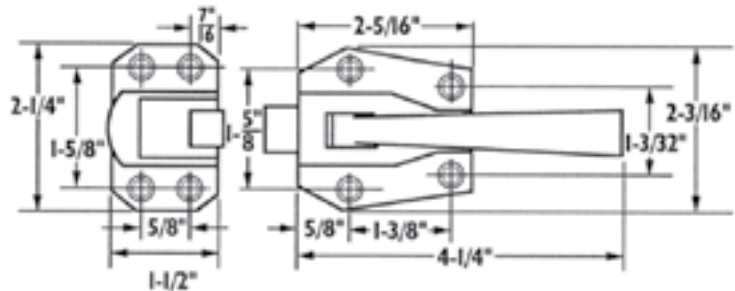
PKG QTY. 1



Weight - 1lb.

304 Stainless Steel

Designed for small refrigerator and ventilator doors. Body, Case and Insert manufactured of zinc die cast, Handle made from stainless steel or forged brass (our option), Bolt malleable iron. Has adjustable roller strike. Padlock hole in body. Universal for left or right hand doors. Holes drilled and countersunk for No. 8 screws.



099-110

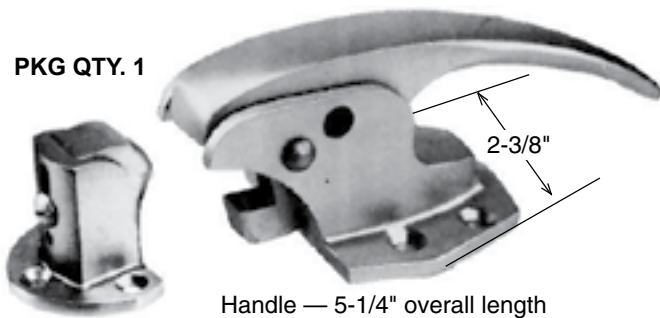
FLUSH STRIKE — Flush to 1/2"

099-111

OFFSET STRIKE — 9/16" to 1-1/4" offset

304 Stainless Steel

PKG QTY. 1



Handle — 5-1/4" overall length
Body — 3-1/4" long x 2" high

099-118 TRIP LOCK (as above)
1-3/4" h x 1-5/8" l x 2-3/16" wide at base
Strike: 5/8" to 1-1/4" Offset

099-119 TRIP LOCK

1-1/4" h x 7/8" l x 1-3/4" wide at base
5/16" to 9/16" Offset
(Strike as at left)

POLARMATIC TRIP LOCK

For "Reach-in" Refrigerators

Modern styling, easy closing. Reversible for right or left hand doors.

Positive padlock feature.

Available flush to 1-1/4" Offset.

Body and strike high pressure Zinc Die-cast.

Holes drilled and countersunk for No. 9 screws.

Handle and bolt are Brass.

Finish — Bright Chrome.

Weight — 1-1/4 lbs.

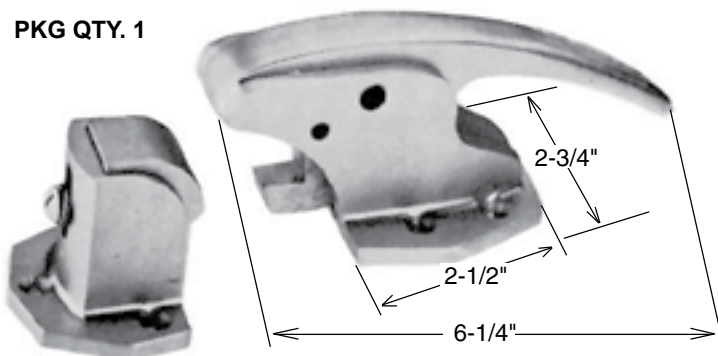
Base — 2-3/8" wide.

PKG QTY. 1

099-B32-1A TRIP LOCK

7/8" h x 1-5/8" l x 2-3/16" wide at base
Flush to 5/16" Offset
(Strike as at left)

PKG QTY. 1



099-B14-1K TRIP LOCK

Same as 099-118 but larger.
Strike is adjustable from 3/4" to 1-1/4"

304 Stainless Steel

Handle — 6-1/4" overall length.

Body — 4-1/8" long x 2-1/2" high.

Base — 2-3/4" wide.

Strike — 2" high x 2" long x 2-1/2" wide at base.

Holes drilled and countersunk for No. 10 screws.

Weight — 2-1/4" lbs.

See page L72 for Cold Storage Hinges.

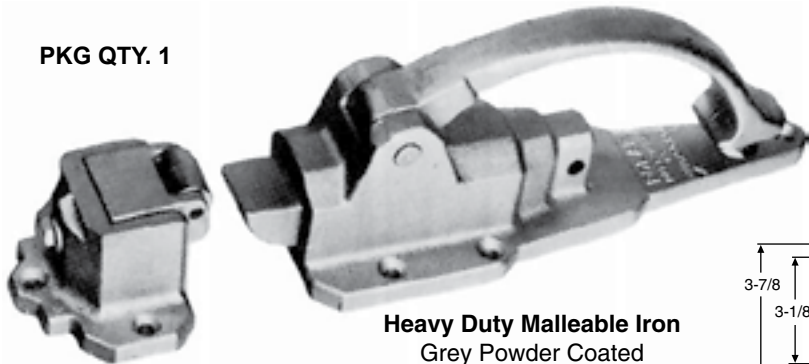
Refrigeration Slam Latches

Inch

Loquets à ressort pour réfrigérateurs

Pouce

PKG QTY. 1



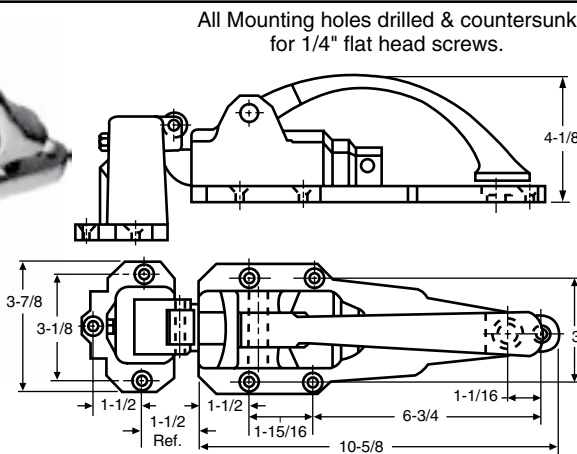
Heavy Duty Malleable Iron
Grey Powder Coated

Has adjustable roller strike. Body drilled for padlock. Adjustable strike permits take up of play in door when gasket flattens from use to form perfect seal and prevents loss of refrigeration.

For Right or Left-hand Doors

SPAENAUR No.	Style of Strike	Adjustable
099-122	Flush	Flush to 11/16"
099-123	Offset	11/16" to 1-1/2"

10" Push-Rod (included for inside exit)



Available for flush or offset doors.

Flush strike is adjustable from flush to 11/16".

Offset strike adjustable from 11/16" to 1-1/2".

Specify flush or offset.

Overall length — 14". Holes drilled and countersunk for 1/4" screws.

Finish — Grey Powder Coated

Weight: 12-1/2 lbs.

May be padlocked.

Available from flush to 1-1/4" offset.

All Malleable Iron Construction

Finish - Grey Powder Coated

SPAENAUR No.	Style of Strike	Adjustable
099-124	Flush	Flush to 1/8"
099-125	Offset	5/8" to 1-1/4"

8" Push-Rod (included)

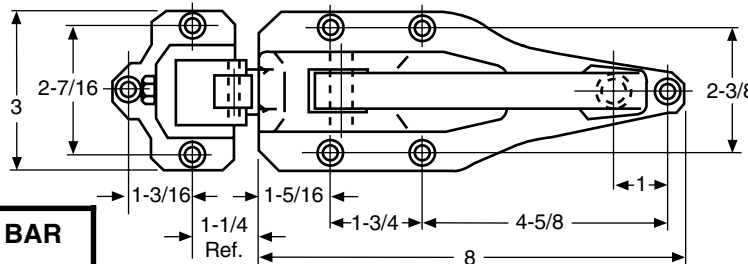
Weight: 5 lbs.

PKG QTY. 1



Adjustable roller strike allows perfect seal and prevent loss of refrigeration.

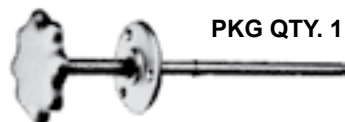
All mounting holes drilled & countersunk for 1/4" flat head screws.



Also, same style as above, but **304 Stainless Steel**

099-128	Flush	Flush to 1/8"
Stainless Steel 8" Push-Rod (included)		
099-129	Offset	5/8" to 1-1/4"
Steel, Zinc Plated 8" Push-Rod (included)		

REPLACEMENT PUSH ROD - INSIDE EXIT BAR



PKG QTY. 1

Zinc Plated 1/2" round steel rod with Cast Iron mounting plate and Push-Knob.

	Length	Weight
099-131	10"	1.54 lbs.
099-132	8"	1.43 lbs.

(304 Stainless Steel available)

Note: 099-131 is a component of #099-122, -123
099-132 is a component of #099-124, -125, -128, -129.

