

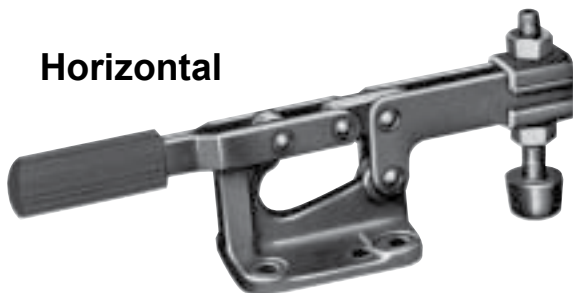
## Toggle Action Clamps

## Serre-joints articulés

## Red Head Toggle Action Clamps

Toggle Action Clamps give you greater production for Welding, Drilling, Milling, Sawing, Gluing, Grinding, Riveting, Routing, Machining or Assembly Operation.

## Horizontal



**Handle** is made of high strength alloy tempered steel, featuring rolled round edges, covered with red vinyl plastic to assure a sure, cool grip. The plastic handle will resist oil, acid and is non-flammable.

**Bearings** Ideal conditions have been incorporated into each bearing. Featuring alloy steel pins moving in a malleable cast linkage, giving greater bearing surfaces and assuring self-lubricating, free-operating hinge points.

**Linkage** Sturdy one piece, wide bearing support link giving added strength and greater bearing surface. Made of malleable iron and having machined surfaces at all contact points.

**Base** is one piece malleable cast iron accurately machined to assure flat mounting surface and rigid bolting. Mounting holes located to facilitate interchangeability.

**Tolerances** All holes are drilled and reamed to exact tolerances assuring uniformity, smooth action, and close alignment throughout the entire construction and assembly of this clamp.

**Toggle action** Engineered to give positive locking action with a minimum of force required for locking and unlocking clamp.

**Finish** Zinc plated finish (to mfr's. option) makes an attractive addition to your tools and fixtures.

**Hinge pins** have spun heads eliminating any binding and have no sharp burrs on edges to interfere with the operator.

**Clamp bar** is made of carbon steel assuring rigid clamping of parts. Available with open or closed bar.

**Spindle adjustable** for height.

**Recommended Load** The recommended load, in the closed position, is the maximum that can be exerted on the clamp without distortion or failure. This is measured at the base and will decrease as you approach the end of the bar.

## Push-Pull



## Vertical



Toggle Action & Locking Clamps

Serre-joints articulés et à blocage

Inch

Pouce

RED HEAD HORIZONTAL TOGGLE ACTION CLAMPS



**086-700**

**Specifications:**

Recommended pressure: **200 lbs.**

Shut height: **13/16"**

Base dimension: **Width 1-7/16"; Length 1-5/8"**.

**086-700** is a small, light duty toggle clamp with open type toggle bar equipped with rubber capped adjustable spindle that can be located in any desired position. Bar retracts to vertical position when clamp is open.



**086-F82-1W**

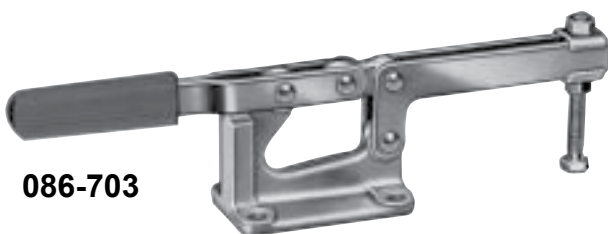
**Specifications:**

Recommended pressure: **200 lbs.**

Shut height: **1"**

Base dimension: **Width 1-3/8"; Length 1-7/8"**.

**086-F82-1W** is a small, light duty toggle clamp with open type toggle bar equipped with rubber capped adjustable spindle that can be located in any desired position. Bar retracts to vertical position when clamp is open.



**086-703**

**086-702** is a larger toggle clamp, has more clamping pressure and incorporating the same design as 086-F82-1W, including rubber capped adjustable spindle.

**Specifications:**

Recommended pressure: **500 lbs.**

Shut height: **1-1/4"**

Base dimension: **Width 1-5/8"; Length 2-1/4"**.

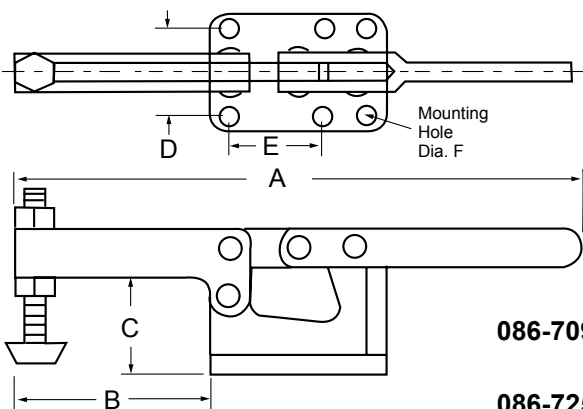
**086-703** is a heavy duty horizontal toggle clamp for use where overhead space is limited. Has a channel bar and threaded spindle that can be adjusted in height and located at any desired spacing along the channel. Additional spindles may be placed in channel to accommodate parts of varying thicknesses.

**Specifications:**

Recommended pressure: **750 lbs.**

Shut height: **1-7/8"**

Base dimension: **Width 2"; Length 3-1/4"**.



**086-709**

**086-725**

**086-710**

Spaenaur No.	Capacity lbs.	Dimension in Inches					
		A	B	C	D	E	F
086-700	200	5.81	1.81	0.88	0.88	1.06	0.22
086-F82-1W	200	5.81	1.81	1.06	0.88	1.00	0.22
086-702	500	7.25	2.50	1.25	0.88	1.00	0.27
086-703	750	11.25	4.00	1.88	1.63	1.63	0.33

**Replacement Spindles**

Standard Bolt Spindle Assembly (including rubber foot) for Clamps 086-700, 086-F82-1W, 086-702 and 086-706.

Replacement rubber foot for above spindle.

Standards Bolt Spindle Assembly for Clamp 086-703.

P

Inch

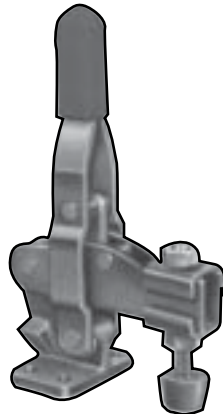
**Toggle Action & Locking Clamps**

Pouce

Serre-joints articulés et à blocage

**RED HEAD VERTICAL TOGGLE ACTION CLAMPS**

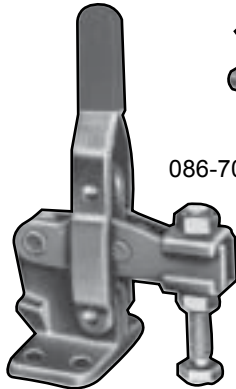
086-706



**086-706** is a light duty toggle clamp with short handle and bar, so clamp can be mounted where clearance is limited. Equipped with rubber capped adjustable spindle. (See previous page for Replacement Spindle.)

**Specifications:**  
 Recommended pressure: **200 lbs.**  
 Shut Height: **1-1/16"**.  
 Base dimensions, **Width 1-9/16"**; **Length 1"**.

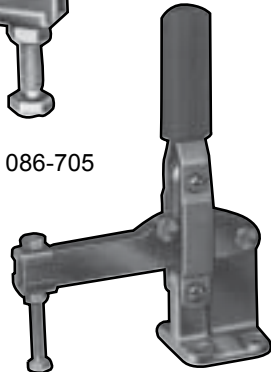
086-704



**086-704** is a light duty toggle clamp with short handle and bar with spindle so clamp can be mounted where clearance is limited.

**Specifications:**  
 Recommended pressure: **350 lbs.**  
 Shut Height: **1-1/4"**.  
 Base dimensions, **Width 2-1/4"**; **Length 1-9/16"**.

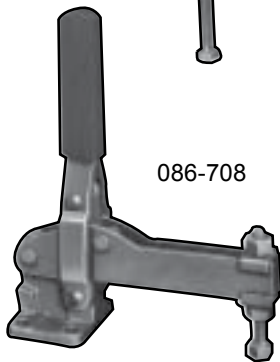
086-705



**086-705** is a light duty toggle clamp with long handle for easy operation, also long bar with spindle to give clamp more reach.

**Specifications:**  
 Recommended pressure: **500 lbs.**  
 Shut height: **1-1/4"**.  
 Base dimensions, **Width 2-1/4"**; **Length 1-9/16"**.

086-708

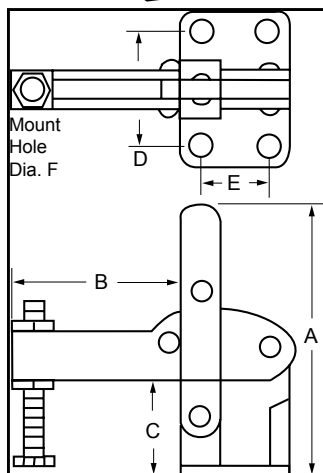


**086-707** larger, more clamping power and incorporating same design and features as 086-705. Has a shorter handle for mounting where clearance is limited, also shorter bar, with spindle.

**Specifications:**  
 Recommended pressure: **600 lbs.**  
 Shut height: **2"**.  
 Base dimensions, **Width 2-3/8"**; **Length 2-1/8"**.

**086-708** a heavy duty clamp having vertical handle and including a channel bar with threaded spindle which may be adjusted on height and located anywhere along channel. Additional spindles may be placed in channel to accommodate parts of varying thicknesses.

**Specifications:**  
 Recommended pressure, **1000 lbs..**  
 Shut height, **1-1/2"**.  
 Base Width, **2-1/4"**; **Length, 2"**.



Spaenaur No.	Capacity lbs.	Dimension in Inches					
		A	B	C	D	E	F
<b>086-706</b>	200	4.75	1.38	1.06	1.06	0.50	0.20
<b>086-704</b>	350	5.00	1.62	1.12	1.25	0.75	0.28
<b>086-705</b>	500	7.00	3.12	1.25	1.25	0.75	0.28
<b>086-707</b>	750	7.50	3.50	2.00	1.78	1.25	0.34
<b>086-708</b>	1000	8.69	4.63	1.50	1.78	1.25	0.34

**Replacement Spindles**

**086-710** Standard Bolt Spindle Assembly for Clamps 086-704, 086-705, 086-707.

**086-711** Standards Bolt Spindle Assembly for Clamp 086-708.

CATALOG 14 SPAENAUR

All items on this page  
 PKG QTY. 1

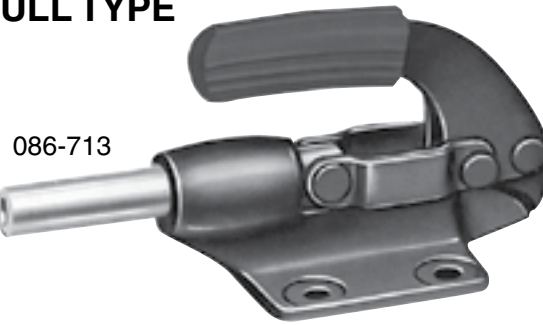
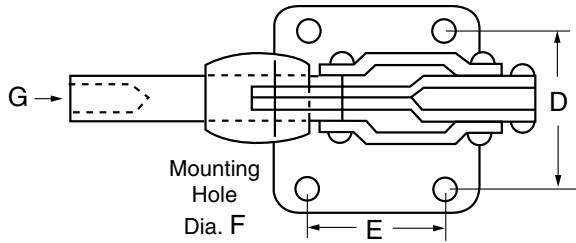
Toggle Clamps

Serre-joints articulés

Inch

Pouce

RED HEAD PUSH-PULL TYPE

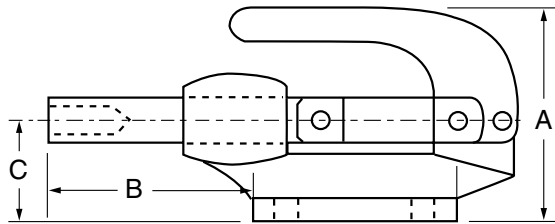


086-713

**086-713** Push-Pull type clamp  
Plunger diameter **1/2"**.  
Plunger travel distance **1-1/4"**.  
Spindle not included.

**Specifications:**

Recommended delivered pressure: **400 lbs.**  
Maximum pressure: **600 lbs.**



Spaenaur No.	Capacity lbs.	Dimensions in Inches						Int. Thread G
		A	B	C	D	E	F	
086-713	400	2.88	2.25	1.12	1.62	1.38	0.28	5/16"-18
086-714	800	4.00	3.25	1.88	1.62	1.62	0.33	3/8"-16

**086-714** Push-Pull type clamp  
Plunger diameter **3/4"**.  
Plunger travel distance **1-1/2"**.  
Spindle not included.

**Specifications:**

Recommended delivered pressure: **800 lbs.**  
Maximum pressure: **1200 lbs.**

RED HEAD PUSH-PULL TYPE

086-712



**086-712** Push-Pull Type clamp.

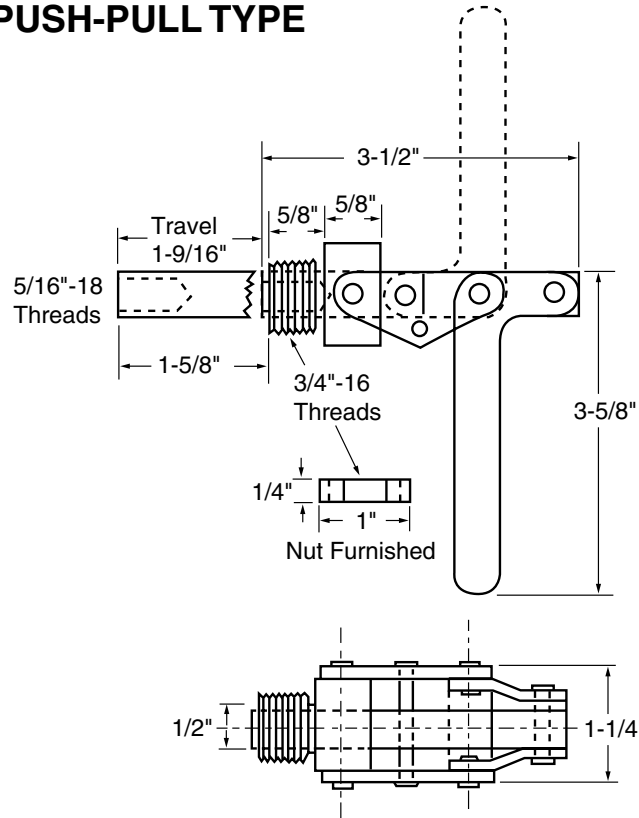
Holding capacity **300 lbs.**

Locks in either position.

Plunger travel **1-9/16"**.

Spindle not included.

Can be mounted in either a drilled & tapped hole or through a drilled hole by use of the furnished nut.



All items on this page PKG QTY. 1

P