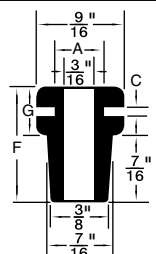


**Push-In Grommets**

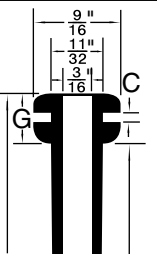
Inch and Metric

Rondelles isolantes de pression

Pouce et Métrique



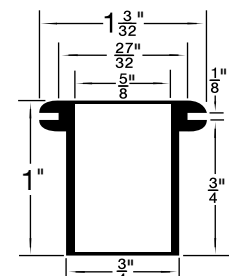
**Material: PVC (Polyvinyl Chloride) Plastic    Hardness: 55 durometer**  
**Colour: All items furnished in BLACK, unless otherwise shown.**



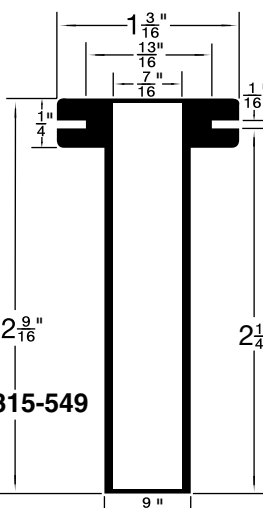
SPAENAUR No.	A	C	F	G
<b>315-529</b>	5/16	1/16	3/4	5/16
<b>315-530</b>	5/16	1/8	13/16	3/8

SPAENAUR No.	C	F	G
<b>315-531</b>	1/16	2.0	5/16
<b>315-533</b>	1/32	1-59/64	15/64

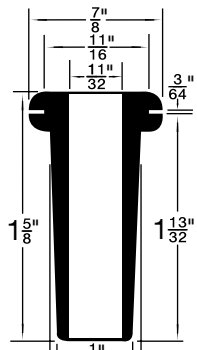
Dimensions shown in inches.  
**All Plastic Sleeved Grommets**  
 PKG QTY. 100



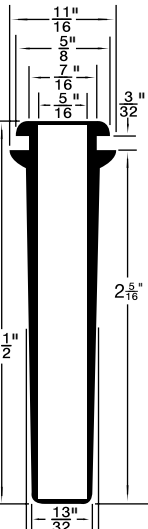
**315-550**



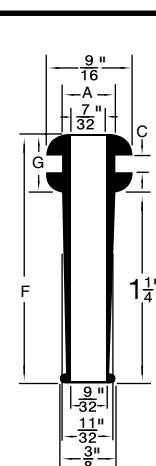
**315-549**

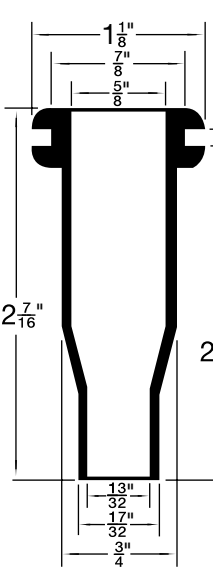


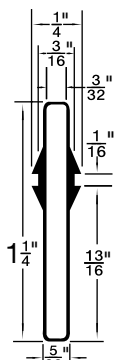
**315-548**

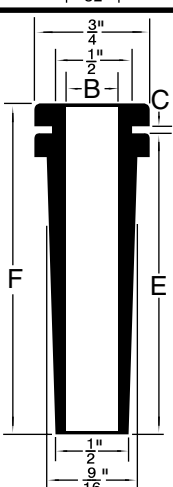


**315-539**



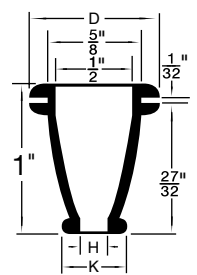


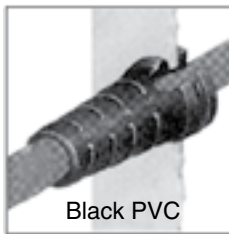




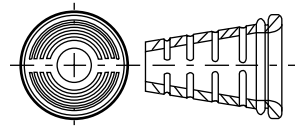
SPAENAUR No.	A	C	F	G
<b>315-534</b>	11/32	1/8	1-5/8	3/8
<b>315-536</b>	3/8	1/16	1-9/16	5/16
<b>315-537</b>	5/16	1/8	1-9/32	11/32

SPAENAUR No.	B	C	E	F
<b>315-540</b>	5/16	5/32	1-13/16	2-1/4
<b>315-541</b>	1/4	5/32	1-13/16	2-1/4
<b>315-542</b>	5/16	1/16	1-13/16	2-5/32
<b>315-543</b>	11/32	3/32	1-3/4	2-5/32





Black PVC



METRIC SIZES

**Multi-cable Grommet**  
**Spenaaur No. 315-665**

Max. Panel Thick. 2 mm      O/A Lgth. 34 mm

This new grommet is designed to take a range of cable sizes from 8 mm up to 17 mm diameter. The sleeve is sized from 8 mm up to 17 mm diameter. The sleeve is graduated so it can be cut to the appropriate size when the grommet is fitted into a 20 mm hole.

**PKG QTY. 100**

SPAENAUR No.	D	H	K
<b>315-546</b>	27/32	5/32	3/8

J

SPAENAUR CATALOG 14

Inch

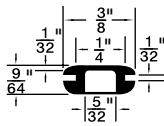
**Push-In Grommets**

Pouce

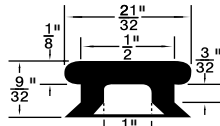
**Rondelles isolantes de pression**

**Material:** P.V.C. (Polyvinyl Chloride) Plastic (except No's. RB-283 and RB-305)  
**Hardness:** 55 Durometer (all P.V.C. items)  
**Colour:** All items furnished in BLACK, unless otherwise shown.

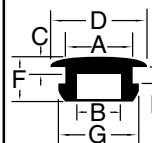
All Grommets this page PKG QTY. 100



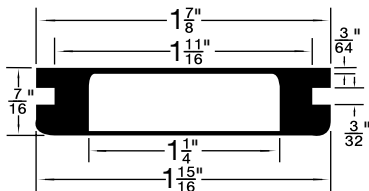
**315-500**



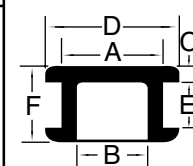
**315-503**



SPAENAUR No.	A	B	C	D	E	F	G
<b>315-106-1A</b>	15/64	1/4	3/32	17/32	3/32	1/4	7/16
<b>315-502</b>	7/16	3/8	3/64	19/32	3/64	1/8	1/2
<b>315-514</b>	25/32	5/8	1/16	29/32	1/32	13/64	27/32

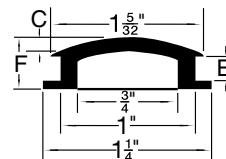
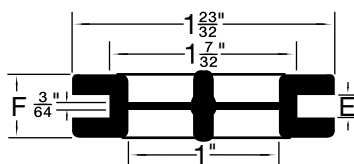


**315-507**

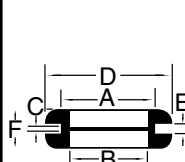


SPAENAUR No.	A	B	C	D	E	F
<b>315-506</b>	1-1/16	1/2	3/32	1-9/32	7/64	7/16
<b>315-513</b>	3/4	1/2	3/16	31/32	5/32	13/32
<b>315-527</b>	21/32	15/32	3/32	7/8	9/32	1/2

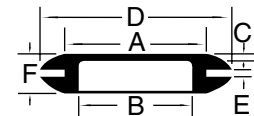
SPAENAUR No.	E	F
<b>315-524</b>	5/32	13/32



SPAENAUR No.	C	E	F
<b>315-518</b>	5/64	1/16	3/16
<b>315-519</b>	13/64	3/16	5/16

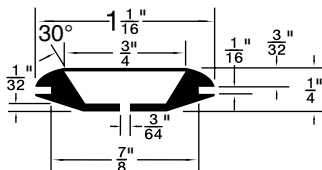


SPAENAUR No.	A	B	C	D	E	F
<b>315-504</b>	5/8	1/2	1/16	7/8	5/64	5/16
<b>315-505</b>	5/8	1/2	7/64	7/8	1/8	23/64
<b>315-511</b>	3/4	5/8	1/32	1.0	5/64	5/16
<b>315-512</b>	3/4	5/8	5/64	1.0	1/8	23/64
<b>315-G23-1K</b>	1	3/4	5/64	1-27/64	3/32	3/8



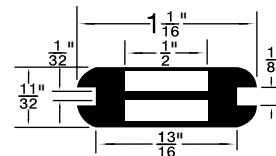
SPAENAUR No.	A	B	C	D	E	F
<b>315-521</b>	1-1/8	15/16	3/64	1-3/8	3/64	1/4
<b>315-525</b>	1-3/8	1-1/8	1/8	1-3/4	3/32	5/16
<b>315-526</b>	1-1/2	1-1/8	1/8	1-3/4	3/32	5/16

SPAENAUR No. **RB-283**  
 Black Neoprene



Durometer 60

SPAENAUR No. **RB-305**



Black Buna S (SBR)  
 Durometer 50 to 55

**ASSORTMENT B-580**

**32 SIZES - 687 PIECES**

**RUBBER GROMMETS & BUSHINGS**

Furnished in Large Size, Grey Enamelled STEEL Drawer, with scooped bins. Drawer will fit into the Slide Racks shown on page A3  
 Shipping Wt. **6.01 kg.** (13-1/4 lbs.)



**For the complete assortment contents turn to A115**

**Push-In Grommets**

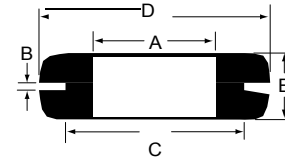
Inch

**Rondelles isolantes de pression**

Pouce

**Material:** SBR unless otherwise indicated.  
**Hardness:** 60 Durometer ± 5.  
**Colour:** Black, unless otherwise stated.

**NOTE:** The SPAENAUR Grommets listed on page J64 have excellent dielectric strength, good dynamic properties, set and abrasion resistance. It rates excellent as electrical insulation, has excellent heat and cold resistance, and very good heat aging. It is NOT recommended for applications where the grommet will be in contact with oil, gasoline or lacquer solvents. Many of these grommets are similar in size and shape only, to AN931 Grommets.



Listed by 1) Hole Dia. 2) Groove Width.

SPAENAUR No.	A Inside Dia.	B Groove Width	C Groove Dia.	D O.D.	E O/A Thick.	Material/Compound
<b>B-1030</b>	1/8"	1/16"	1/4"	11/32"	3/16"	SBR
<b>RB-209</b>	1/8"	1/16"	9/16"	3/4"	3/16"	SBR
<b>RB-210</b>	1/8"	1/8"	9/16"	3/4"	1/4"	SBR
<b>B-1325</b>	9/64"	3/32"	5/16"	15/32"	9/32"	SBR
<b>315-H80-1C</b>	5/32"	1/16"	1/4"	3/8"	3/16"	SBR
<b>315-H81-1N</b>	5/32"	3/32"	1/4"	7/16"	3/8"	SBR
<b>315-172</b>	3/16"	1/32"	5/16"	7/16"	3/16"	SBR
<b>315-I10-1Y</b>	3/16"	1/16"	5/16"	7/16"	7/32"	SBR
<b>315-H46-1W</b>	3/16"	1/16"	5/16"	7/16"	3/16"	SBR
<b>315-H41-2Y</b>	3/16"	3/64"	5/16"	1/2"	7/32"	SBR
<b>315-H62-1X</b>	3/16"	3/32"	9/32"	7/16"	7/32"	SBR
<b>315-177</b>	3/16"	3/32"	5/16"	1/2"	9/32"	SBR
<b>RB-55</b>	3/16"	1/8"	13/32"	9/16"	3/8"	SBR
<b>315-H53-1Y</b>	3/16"	1/8"	5/16"	7/16"	1/4"	SBR
<b>RB-213</b>	3/16"	3/16"	5/16"	7/16"	5/16"	SBR
<b>RB-214</b>	3/16"	1/4"	5/16"	7/16"	3/8"	SBR
<b>RB-130</b>	3/16"	1/4"	5/16"	7/16"	3/8"	BUNA N
<b>315-H94-1T</b>	7/32"	1/16"	5/16"	7/16"	3/16"	SBR
<b>RB-53</b>	15/64"	3/16"	3/8"	5/8"	3/8"	SBR
<b>315-G56-2A</b>	1/4"	1/16"	7/16"	5/8"	3/16"	SBR
<b>315-G49-1T</b>	1/4"	1/16"	7/16"	5/8"	3/16"	BUNA N
<b>315-H83-1K</b>	1/4"	3/32"	3/8"	1/2"	1/4"	SBR
<b>RB-346</b>	1/4"	1/8"	3/8"	5/8"	3/8"	NEOPRENE
<b>315-H87-1A</b>	1/4"	1/8"	3/8"	5/8"	3/8"	BUNA N
<b>315-317</b>	1/4"	1/8"	7/16"	5/8"	1/4"	
<b>315-316</b>	1/4"	3/16"	7/16"	5/8"	5/16"	BUNA N
<b>315-H71-1K</b>	1/4"	3/16"	7/16"	5/8"	5/16"	SBR
<b>315-H74-1X</b>	1/4"	1/4"	7/16"	5/8"	3/8"	SBR
<b>315-174</b>	9/32"	1/16"	7/16"	5/8"	1/4"	SBR
<b>RB-190</b>	9/32"	3/32"	1/2"	21/32"	27/64"	SBR
<b>RB-54</b>	9/32"	1/4"	15/32"	11/16"	7/16"	SBR
<b>4071</b>	5/16"	1/16"	1/2"	21/32"	1/4"	SBR
<b>315-H78-1C</b>	5/16"	1/16"	9/16"	13/16"	5/16"	SBR

Contact Sales Desk For Package Quantities

Continues on Next Page

Inch

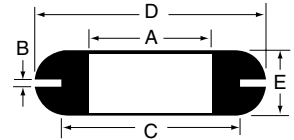
Push-In Grommets

Pouce

Rondelles isolantes de pression

**Material:** SBR unless otherwise indicated.  
**Hardness:** 60 Durometer ± 5.  
**Colour:** Black, unless otherwise stated.

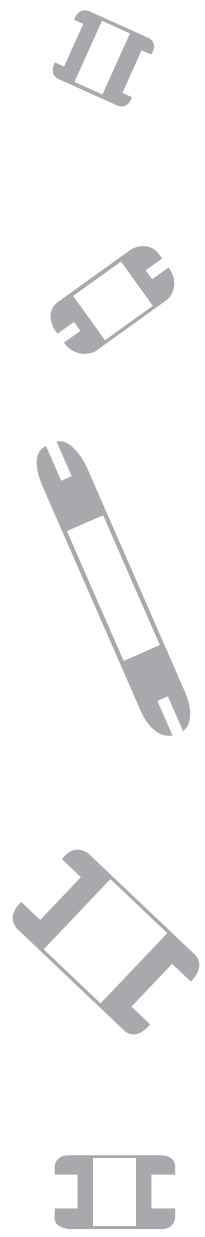
NOTE: The SPAENAUR Grommets listed on page J64 have excellent dielectric strength, good dynamic properties, set and abrasion resistance. It rates excellent as electrical insulation, has excellent heat and cold resistance, and very good heat aging. It is NOT recommended for applications where the grommet will be in contact with oil, gasoline or lacquer solvents.



Continued from Previous Page

Listed by 1) Hole Dia. 2) Groove Width.

SPAENAUR No.	A Inside Dia.	B Groove Width	C Groove Dia.	D O.D.	E O/A Thick.	Material/Compound
315-G15-1W	5/16"	1/16"	3/4"	1"	5/16"	BUNA N
RB-223	5/16"	1/16"	3/4"	1"	5/16"	SBR
315-H95-1K	5/16"	3/32"	7/16"	5/8"	5/16"	SBR
315-314	5/16"	3/32"	7/16"	5/8"	5/16"	BUNA N
315-309	5/16"	3/32"	15/32"	3/4"	11/32"	SBR
315-H61-1M	5/16"	1/8"	9/16"	13/16"	3/8"	SBR
315-H73-1M	5/16"	1/8"	3/4"	1"	3/8"	SBR
315-G57-1P	5/16"	3/16"	9/16"	13/16"	7/16"	SBR
RB-225	5/16"	3/16"	3/4"	1"	7/16"	SBR
315-173	5/16"	1/4"	1/2"	11/16"	7/16"	SBR
315-H88-1P	5/16"	1/4"	9/16"	13/16"	1/2"	SBR
RB-226	5/16"	1/4"	3/4"	1"	1/2"	SBR
315-259	3/8"	1/16"	1/2"	5/8"	1/4"	SBR
RB-39	3/8"	1/16"	1/2"	11/16"	9/32"	SBR
315-G71-1P	3/8"	1/16"	5/8"	7/8"	5/16"	SBR
315-H19-1K	3/8"	1/16"	5/8"	7/8"	11/32"	SBR
315-G24-2W	3/8"	1/8"	5/8"	7/8"	3/8"	SBR
315-284	3/8"	3/16"	9/16"	13/16"	3/8"	SBR
RB-229	3/8"	3/16"	5/8"	7/8"	7/16"	SBR
315-H98-1X	3/8"	1/4"	1/2"	11/16"	7/16"	SBR
315-G65-2W	3/8"	1/4"	1/2"	3/4"	1/2"	SBR
315-H59-1M	3/8"	1/4"	5/8"	7/8"	1/2"	SBR
RB-297	7/16"	1/16"	9/16"	3/4"	1/4"	SBR
RB-324	7/16"	3/32"	5/8"	7/8"	5/16"	SBR
315-G60-1Y	7/16"	1/16"	11/16"	15/16"	5/16"	SBR
315-H77-1Y	7/16"	1/8"	11/16"	15/16"	3/8"	SBR
RB-233	7/16"	3/16"	11/16"	15/16"	7/16"	SBR
RB-234	7/16"	1/4"	11/16"	15/16"	7/16"	SBR
315-163	7/16"	1/4"	11/16"	1"	1/2"	SBR
315-G22-2W	1/2"	1/16"	3/4"	1-1/16"	5/16"	SBR
315-H67-1N	1/2"	1/16"	13/16"	1-1/16"	5/16"	SBR
B-992	1/2"	1/16"	1"	1-1/4"	1/4"	SBR
315-H91-1Y	1/2"	3/32"	3/4"	7/8"	11/32"	SBR
315-305	1/2"	3/32"	3/4"	31/32"	9/32"	SBR
315-H20-1T	1/2"	1/8"	3/4"	1"	1/2"	SBR
RB-236	1/2"	1/8"	13/16"	1-1/16"	3/8"	SBR
RB-237	1/2"	3/16"	13/16"	1-1/16"	7/16"	SBR
315-H69-1K	1/2"	1/4"	13/16"	1-1/16"	1/2"	SBR
315-H48-1X	1/2"	3/8"	3/4"	1"	5/8"	SBR



J

CATALOG 14

SPAENAUR

Contact Sales Desk For Package Quantities

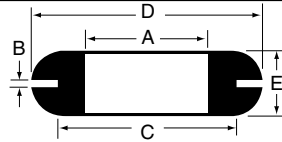
Continues on Next Page

**Push-In Grommets**

Inch

**Rondelles isolantes de pression**

Pouce



Continued from Previous Page

Contact Sales Desk For Package Quantities

SPAENAUR No.	A Inside Dia.	B Groove Width	C Groove Dia.	D O.D.	E O/A Thick.	Material/Compound
315-G67-1X	9/16"	1/16"	13/16"	1-1/16"	5/16"	SBR
RB-240	9/16"	1/8"	13/16"	1-1/16"	3/8"	SBR
RB-241	9/16"	3/16"	13/16"	1-1/16"	7/16"	SBR
315-312	9/16"	3/16"	7/8"	1-1/16"	7/16"	SBR
315-H18-2T	9/16"	1/4"	13/16"	1-1/16"	1/2"	SBR
315-H21-2K	5/8"	1/16"	7/8"	1-1/8"	5/16"	SBR
315-H65-1Y	5/8"	1/8"	7/8"	1-1/8"	3/8"	SBR
RB-245	5/8"	3/16"	7/8"	1-1/8"	7/16"	SBR
315-H47-1M	5/8"	1/4"	7/8"	1-1/8"	1/2"	SBR
315-H54-1C	11/16"	1/16"	1"	1-5/16"	3/8"	SBR
315-H72-1W	11/16"	1/8"	1"	1-5/16"	7/16"	SBR
RB-34	11/16"	3/16"	1"	1-5/16"	1/2"	SBR
315-G08-2Y	11/16"	1/4"	1"	1-5/16"	9/16"	SBR
315-G04-2M	3/4"	1/16"	1-1/16"	1-3/8"	3/8"	SBR
RB-23	3/4"	1/16"	1-1/4"	1-5/8"	1/4"	SBR
315-H70-1T	3/4"	1/8"	1-1/16"	1-3/8"	7/16"	SBR
RB-22	3/4"	1/8"	1-1/4"	1-5/8"	5/16"	SBR
RB-249	3/4"	3/16"	1-1/16"	1-3/8"	1/2"	SBR
315-A02-2G	3/4"	1/4"	1-1/16"	1-3/8"	9/16"	SBR
RB-251	7/8"	1/16"	1-1/4"	1-5/8"	7/16"	SBR
RB-252	7/8"	1/8"	1-1/4"	1-5/8"	1/2"	SBR
RB-147	7/8"	5/32"	1-1/4"	1-5/8"	17/32"	SBR
315-H39-2Y	7/8"	3/16"	1-1/4"	1-5/8"	9/16"	SBR
RB-254	7/8"	1/4"	1-1/4"	1-5/8"	5/8"	SBR
RB-255	1"	1/16"	1-3/8"	1-3/4"	7/16"	SBR
RB-105	1"	3/32"	1-3/8"	1-3/4"	3/8"	SBR
RB-256	1"	1/8"	1-3/8"	1-3/4"	1/2"	SBR
RB-257	1"	3/16"	1-3/8"	1-3/4"	9/16"	SBR
315-H40-2P	1"	1/4"	1-3/8"	1-3/4"	5/8"	SBR
315-H57-1K	1-1/8"	3/64"	1-3/8"	2"	3/8"	SBR
RB-259	1-1/4"	1/16"	2-3/8"	2-3/4"	7/16"	SBR
315-G17-1X	1-1/4"	3/32"	1-1/2"	1-7/8"	3/8"	SBR
RB-260	1-1/4"	1/8"	2-3/8"	2-3/4"	1/2"	SBR
315-H26-1P	1-1/4"	1/4"	2-3/8"	2-3/4"	5/8"	SBR
315-H84-1W	1-5/16"	1/8"	1-5/8"	2"	7/16"	SBR
315-H60-1W	1-1/2"	1/16"	1-3/4"	2-1/8"	7/16"	SBR
RB-107	1-1/2"	3/32"	2"	2/3/8"	3/8"	SBR
315-H63-1A	1-1/2"	1/8"	1-3/4"	2-1/8"	1/2"	SBR
315-H51-1A	1-1/2"	3/16"	1-3/4"	2-1/8"	9/16"	SBR
315-H52-1P	1-1/2"	1/4"	1-3/4"	2-1/8"	5/8"	SBR
RB-267	1-3/4"	1/16"	3-1/4"	3-3/4"	1/2"	SBR
RB-268	2"	1/16"	3-1/2"	4"	1/2"	SBR
315-A01-2E	2-1/8"	1/8"	2-1/2"	2-7/8"	1/2"	SBR
315-H56-1T	2-3/8"	1/4"	2-3/4"	3"	3/4"	SBR



J

CATALOG 14

SPAENAUR



Inch

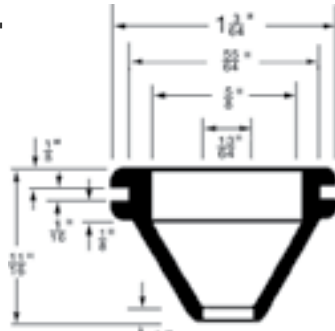
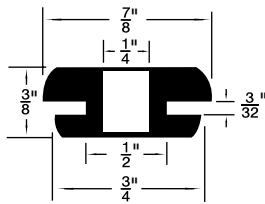
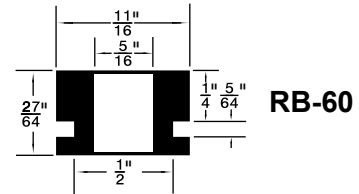
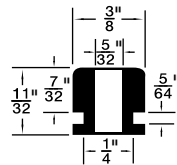
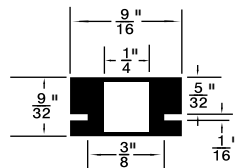
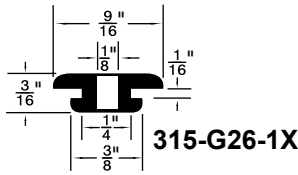
Rubber Grommets / Rubber Stoppers

Pouce

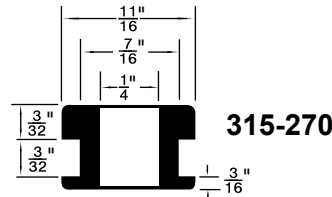
Rondelles isolantes en caoutchouc / Butées en caoutchouc

**Material:** SBR unless otherwise indicated.  
**Hardness:** 60 Durometer ± 5 unless otherwise noted.  
**Colour:** Black, unless otherwise stated.

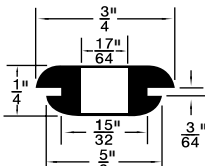
PKG QTY. 25



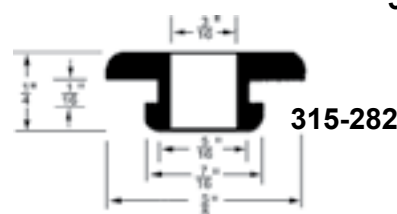
315-G14-1K



315-H25-1A



315-320



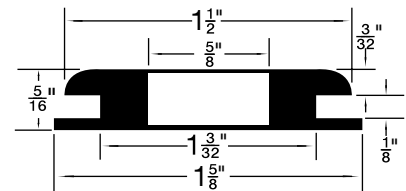
315-266

RUBBER LABORATORY STOPPERS

Black Natural Rubber (NR) Duro: 50

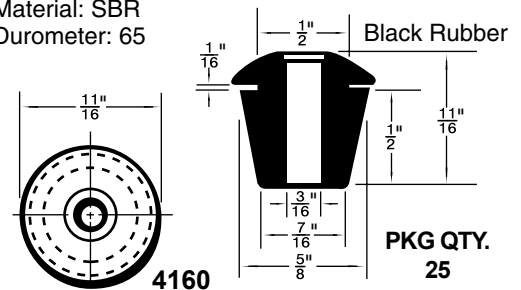
SPAENAUR No. (no hole)	SIZE	A Top	B Bottom	C Length	SPAENAUR No. (with hole)	Hole Dia.	PKG QTY.
RB-304	00	9/16"	3/8"	1"			100
RB-325	0	5/8"	1/2"	1"			100
RB-327	1	3/4"	9/16"	1"			100
315-081	-	13/16"	5/8"	1"			50
RB-329	3	15/16"	3/4"	1"			50
RB-330	4	"	13/16"	1"			50
*315-967	5	1-1/16"	29/32"	1"			50
RB-332	6	1-1/4"	1"	1"	315-045	1/4"	50
RB-333	7	1-3/8"	1-1/8"	1"			25
315-G48-1N	8	1-9/16"	1-5/16"	1"			25
315-075	9	1-3/4"	1-1/2"	1"	315-074	1/4"	10
RB-336	10	1-15/16"	1-5/8"	1"			10
RB-338	12	2-1/2"	2-1/8"	1"			10
RB-339	13	2-3/4"	2-5/16"	1"			10

\*Black SBR, 35-45 Duro



RB-99 Material - Isoprene Duro 65-70

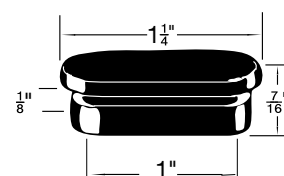
Material: SBR Durometer: 65



4160

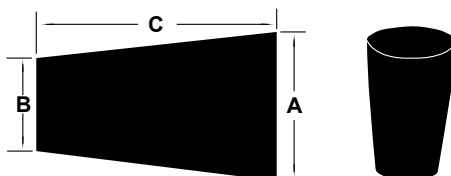
PKG QTY. 25

SPAENAUR No. 4229



RUBBER PLUG for brake adjusting screw hole.

PKG QTY. 25



CATALOG 14 SPAENAUR