

**Pull Tab Plugs**

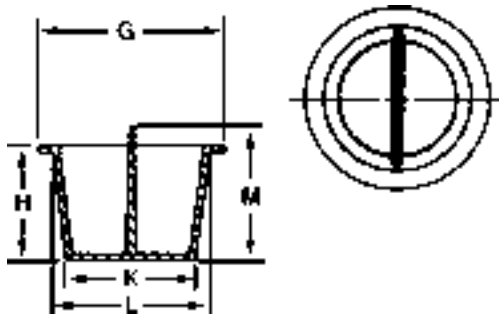
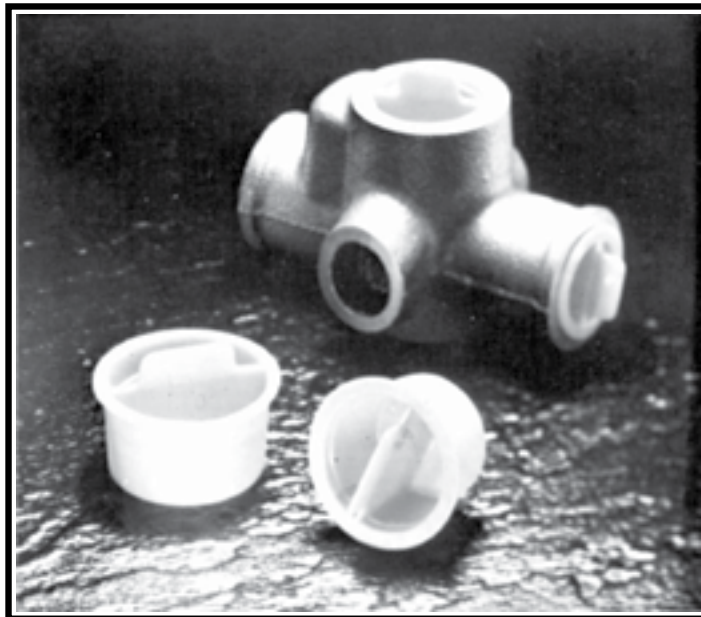
Inch and **Metric**

**Bouchons à languette**

Pouce et **Métrique**

Easy-in, easy-out pull tab design are especially convenient where access for insertion and removal is difficult. Flexible, tapered body insures a tight pressure fit to keep dirt and moisture out of pipes, castings, valves, tubes, etc...an ideal paint mask.

See pages J29 to J31, Tapered Caps & Plugs when pull tab is not preferred. (Comparable sizes available.)



**Colour:** Orange      **Material:** Low Density POLYETHYLENE

**Pull Plugs**

SPAENAUR No.	N.P.T. SIZE	UNIFIED THREAD SIZE	METRIC THREAD SIZE	DIMENSIONS					PKG QTY.
				G	H	K	L	M	
317-233			M7	3/8"	11/32"	.209"	.269"	19/32"	100
317-231		5/16"-24	M8 M8 x 1	15/32"	3/8"	.239"	.303"	5/8"	100
317-232				15/32"	13/32"	.267"	.335"	25/32"	100
317-408		3/8"	M10/M10 x 1.25	.500"	.380"	.299"	.367"	.780"	100
•317-W20-1M	1/8"			9/16"	3/8"	.331"	.397"	5/8"	100
317-424		7/16"	M12	.560"	.380"	.362"	.428"	.750"	100
317-239			M12 M12 x 1.25	5/8"	3/8"	.392"	.459"	3/4"	100
317-240	1/4"	1/2"-20	M14	5/8"	13/32"	.422"	.486"	25/32"	100
•317-W54-1K			M14 x 1.5	21/32"	13/32"	.448"	.512"	17/32"	100
317-243		9/16"-18		11/16"	15/32"	.472"	.548"	13/16"	100
•317-W33-1X			M16	23/32"	15/32"	.500"	.568"	13/16"	50
317-248	3/8"		M18	25/32"	7/32"	.580"	.625"	11/32"	50
•317-W22-1A	3/8"		M18	25/32"	1/2"	.551"	.633"	3/4"	50
•317-W18-1M			M18 x 1.5	13/16"	17/32"	.580"	.668"	3/4"	50
317-251				27/32"	17/32"	.610"	.695"	25/32"	50
•317-W30-1K		3/4"-16	M20	7/8"	1/2"	.642"	.729"	3/4"	50
317-254			M20 x 1.5	7/8"	17/32"	.678"	.755"	25/32"	50
•317-W44-1M	1/2"		M22	55/64"	7/32"	.725"	.770"	11/32"	50
317-256	1/2"		M22	15/16"	19/32"	.691"	.787"	3/4"	50
317-257			M22 x 1.5	1"	19/32"	.727"	.825"	27/32"	50

• Colour: Red

J

Inch and Metric

Pull Tab Plugs

Pouce et Métrique

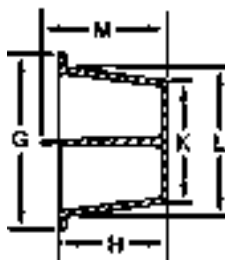
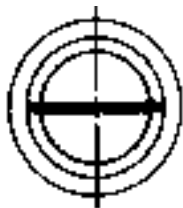
Bouchons à languette

**Pull Plugs**  
...Continued

Colour:  
Red  
\*Orange

Material:  
Low Density

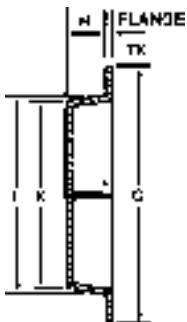
POLYETHYLENE



SPAENAUR No.	N.P.T. SIZE	UNIFIED THREAD SIZE	METRIC THREAD SIZE	DIMENSIONS					PKG QTY.
				G	H	K	L	M	
317-W47-1P		7/8"-14	M24	1"	19/32"	.752"	.849"	3/4"	50
317-407		5/8"	M24 x 2	.750"	.470"	.533"	.608"	.720"	50
317-W55-1W				1-3/32"	21/32"	.803"	.912"	29/32"	50
317-409	3/4"		M27	1.12"	.750"	.869"	.973"	1.00"	50
317-W03-1T	3/4"		M27	1-5/32"	5/8"	.869"	.973"	7/8"	50
317-W37-1C		1-1/16"-12	M27 x 2	1-5/32"	23/32"	.915"	1.040"	29/32"	25
317-418			M30	1-1/4"	25/32"	.967"	1.092"	1-1/32"	25
317-266			M30 x 2	1-11/32"	3/4"	1.003"	1.144"	1"	25
317-411	1"		M33	1-11/32"	1/2"	1.100"	1.210"	5/8"	25
317-419	1"		M33	1-13/32"	25/32"	1.093"	1.219"	1"	25
317-W43-1W		1-5/16"-12	M33 x 2 M36	1-7/16"	3/4"	1.179"	1.286"	1"	25
317-W28-1K			M36 x 3	1-17/32"	3/4"	1.234"	1.361"	1"	25
317-W56-1M			M39 M39 x 3	1-5/8"	3/4"	1.312"	1.465"	1"	25
317-274				1-3/4"	7/8"	1.344"	1.527"	1"	25
317-W39-1T	1-1/4"			1-3/4"	3/4"	1.451"	1.601"	1"	25
*317-278				1-29/32"	3/4"	1.563"	1.686"	1"	25
*317-280				1-15/16"	1/2"	1.735"	1.784"	3/4"	25
*317-281				1-15/16"	1/2"	1.754"	1.798"	3/4"	25
317-410				1.94"	.780"	1.633"	1.750"	1.11"	25
317-413	1-1/2"			2-1/32"	1/2"	1.820"	1.835"	3/4"	10
317-W21-1X				2-5/32"	1"	1.807"	1.938"	1-1/4"	10
317-W07-1X		2-1/4"-12		2-15/32"	1"	2.070"	2.244"	1-1/4"	10
317-W51-1C				2-27/32"	1"	2.396"	2.604"	1-1/4"	10
317-W35-1P	2-1/2"			2-31/32"	1/2"	2.643"	2.791"	3/4"	10
317-W19-1X				3-9/32"	3/4"	2.850"	2.982"	1"	10
317-W15-1T	3"			3-5/8"	3/4"	3.320"	3.452"	1"	10

**Wide Flange Pull Plugs**

Colour: Orange



SPAENAUR No.	UNIFIED THREAD SIZE	METRIC THREAD SIZE	HOLE SIZE	DIMENSIONS				FLANGE TK.	PKG QTY.
				G	H	K	L		
317-293	9/16"		1/2"	1-1/4"	1/2"	.480"	.540"	.030"	25
317-294	11/16"	M18x1.5	5/8"	1-1/16"	1/2"	.590"	.647"	.030"	25
317-295	3/4"		3/4"	1-5/32"	1/2"	.642"	.729"	.040"	25
317-296				1-1/2"	1/2"	.730"	.790"	.030"	25
317-297	7/8"	M24		1-5/16"	1/2"	.752"	.849"	.030"	25
317-299	1-1/16"	M27x2		1-19/32"	11/16"	.921"	1.075"	.060"	25
317-300				1-3/4"	3/4"	1.003"	1.144"	.070"	25
317-301	1-5/16"	M33x2/M36		1-7/8"	11/16"	1.202"	1.297"	.062"	25
317-302			1-1/4"	2"	1/2"	1.230"	1.290"	.040"	25
317-303			1-1/2"	2-3/8"	3/4"	1.460"	1.550"	.050"	10
317-304	1-5/8"			2-1/4"	3/4"	1.519"	1.602"	.055"	10
317-305	1-7/8"			2-17/32"	3/4"	1.752"	1.882"	.045"	10
317-306			2"	2-3/4"	3/4"	1.960"	2.050"	.050"	10
317-307			2-1/2"	3-1/4"	3/4"	2.460"	2.550"	.050"	10