

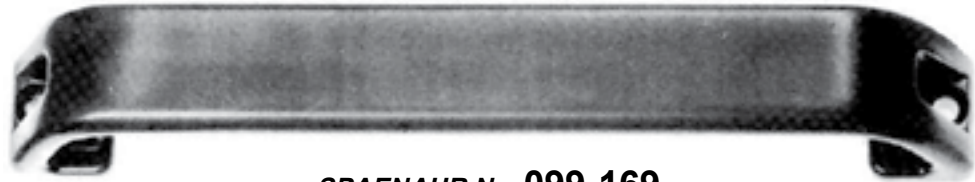
Inch

Pull & Grab Handles

Pouce

Poignées à tirer et à saisir

Zinc Die Cast
Black Powder
Coat Finish



SPAENAUR No. 099-169

An immensely strong handle for exterior use.

Fixing is by external screws, but holes are countersunk within recesses at each end.

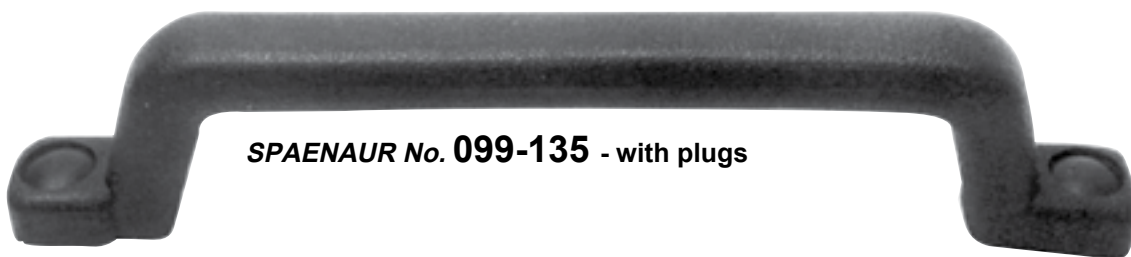
Overall Length: 10" Holes Center to Center: 9.4"
Dia. of Holes: .258" Height Under Grip: 1"
Section Dimensions: 1.3" width x 0.35" thickness

PKG QTY. 1

Weight 21.75 oz

These durable stamped steel handles are covered with a heavy corrosion-resistant, black, polyurethane coating.

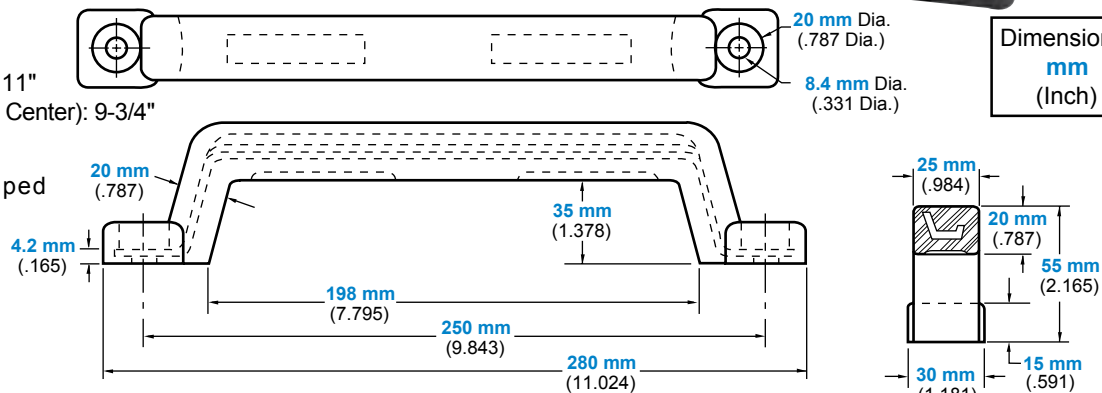
PKG QTY. 1



SPAENAUR No. 099-135 - with plugs

Overall Length: 11"
Holes (Center to Center): 9-3/4"

Durable stamped steel handle.



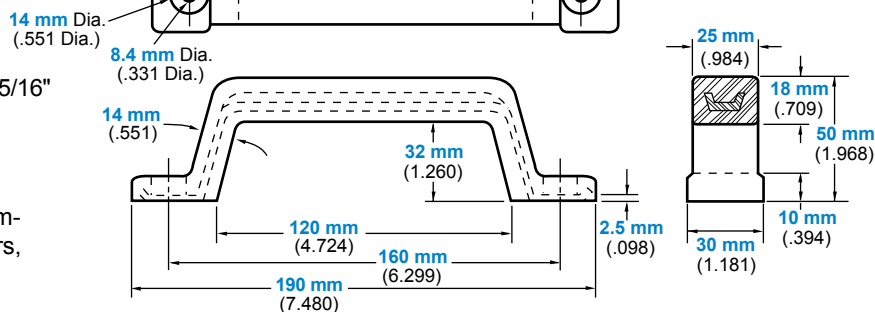
Attractive Textured Plugs are included to conceal fixing holes.



SPAENAUR No. 099-134

Overall Length: 7-1/2"
Holes (Center to Center): 6-5/16"

Ideal for roll-up doors, engine housings, compartments, compressors, refrigerators, etc.




Pull & Grab Handles

Inch

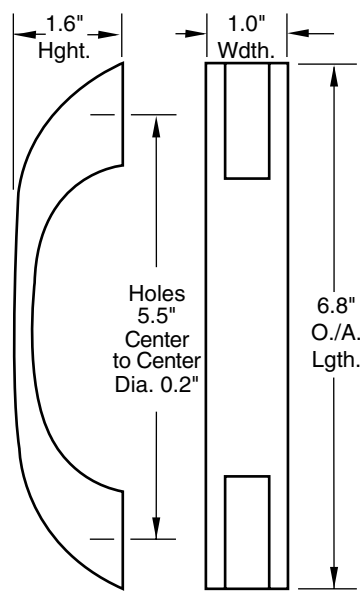
Poignées à tirer et à saisir

Pouce



Concealed Fix Grab Handles – moulded, in polypropylene with textured finish and integral “snap-shut” panels to conceal fixing holes.

<u>SPAENAUR No.</u>	<u>Colour</u>
099-170	Black



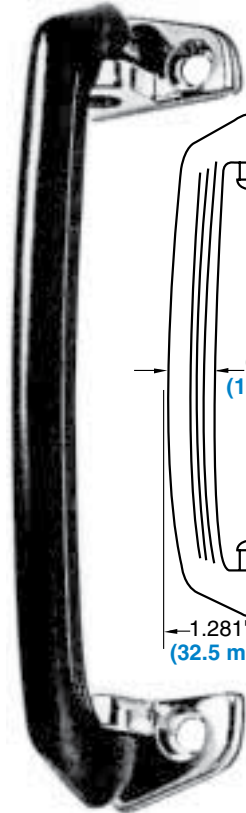
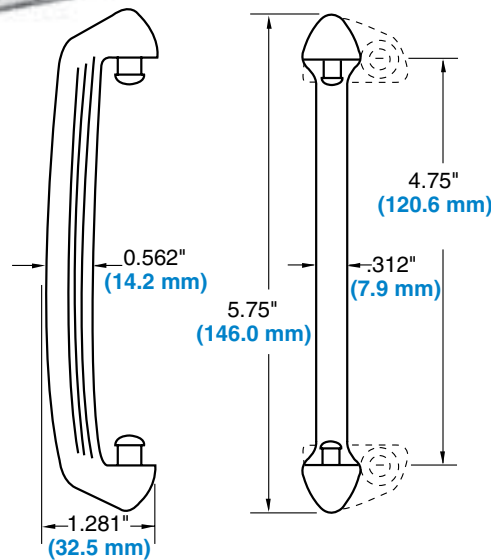
Note: Under proof test conditions, these handles withstood loads of over **250 kg** before serious deformation, across a temperature range of **-50°C to +50°C**.

PKG QTY. 1

SPAENAUR No. 099-187
Swivel-type Grab Handle

Black ABS moulded handle on chromium plated diecast brackets.

Length: 5.75"
Fixing Holes at 4.75" centres.

PKG QTY. 1



PULL HANDLES

SPAENAUR No. 099-B31-1X

STEEL - Zinc Plated



Overall Length: 4.688"

Overall Height: 1.406"

Depth Under Handle: 1.04"

Holes (Center to Center): 4.06"

Dia. of Holes: .213"

PKG QTY. 10

Slip-On Type SL5 Receptacle

SPAENAUR No. 110-158

Steel, Zinc Plated



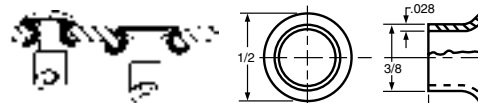
For support panel thicknesses: .036/.128".
Other panel ranges available.
Call for Quotation and Min. Quantities.

PKG QTY. 10

Full Grommet - Aluminum

DZUS Type GA5-350

SPAENAUR No. 110-157



PKG QTY. 10

For Panel .063/.094"

Prevent panel hole wear, protect panel finish, reduce stud play.

See page L152 for DZUS Quarter Turn Fastener Spaenaur No. 110-156

CATALOG 14


SPAENAUR

Inch

Pouce

Pull & Grab Handles

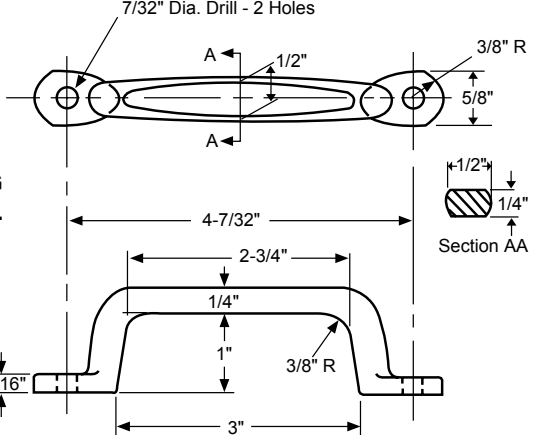
Poignées à tirer et à saisir




GRAB HANDLE
SPAENAUR No. 099-253

Overall Length: 5" Holes (Center to Center): 4-7/32"
Formed Steel - Zinc Plated

7/32" Dia. Drill - 2 Holes



PKG QTY. 10

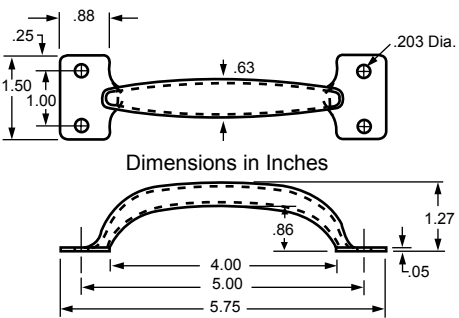


Formed Steel Handles
Overall Size: 1-1/2" x 5-3/4"

Weld On Type
Spenaaur No. 099-195
Plain Finish

Mounting Hole Type
Spenaaur No. 099-205
Zinc Finish


(Weld On) No Holes. (4) 13/64" dia. mounting



Dimensions in Inches

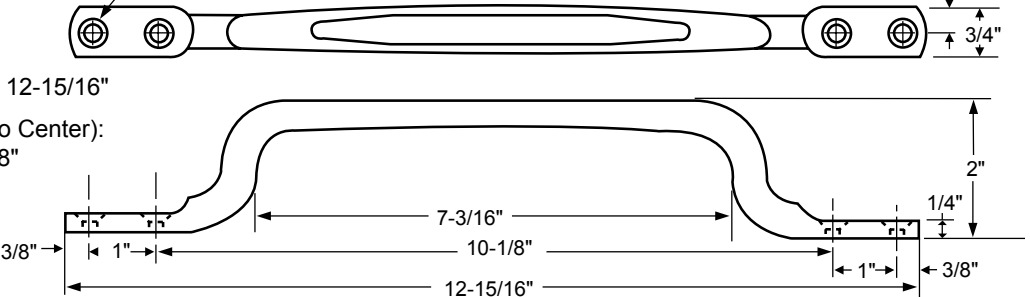
PKG QTY. 1

Weight: .13 lbs.



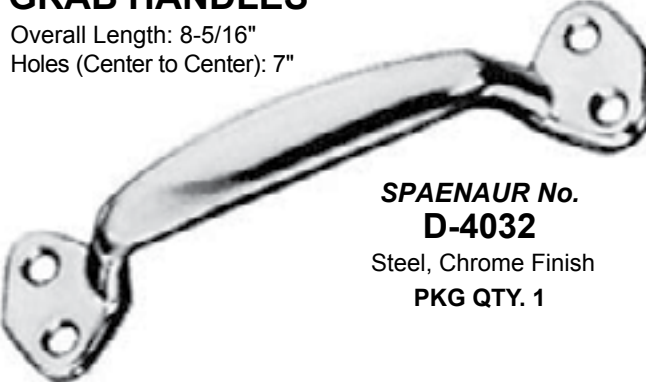
BODY GRAB HANDLE
SPAENAUR No. 099-B29-1X
Plain Steel Finish
PKG QTY. 1

7/32" Dia. Drill and Countersunk 82° to 13/32" Dia. - 4 Holes



Overall Length: 12-15/16"

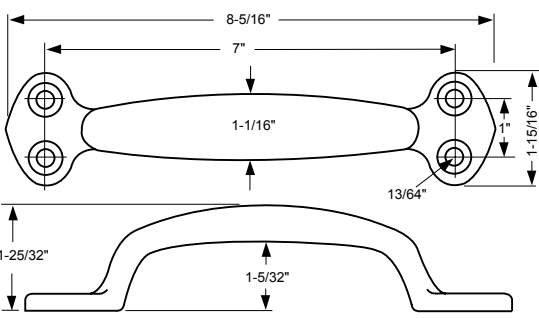
Holes (Center to Center): 10-1/8" & 12-1/8"



GRAB HANDLES
Overall Length: 8-5/16"
Holes (Center to Center): 7"

SPAENAUR No. D-4032
Steel, Chrome Finish
PKG QTY. 1

A heavy-duty, ruggedly constructed handle for commercial, industrial and marine use. Generally used wherever heavy lifting or pulling are a necessity.



CATALOG 14 SPAENAUR

Pull & Grab Handles

Inch

Poignées à tirer et à saisir

Pouce




Diecast Handles

Two popular "traditional" handles supplied to a high standard of chromium plated finish.

SPAENAUR No. 099-232	099-233
Overall Length: 6-1/2" (165 mm)	6-1/2" (165 mm)
Fixing Centres: 5-1/2" (140 mm)	5-1/2" (140 mm)
Height (max): 1-13/16" (46 mm)	1-1/4" (32 mm)

PKG QTY. 1



Grab Rails

Useful grab rails 3/8" (9.5 mm) dia. rod. Each rail is supplied with two M5 x 0.80 x 10 mm fixing screws.


099-820 and 099-B22-1Y are Stainless Steel, polished.

SPAENAUR No. 099-B22-1Y	099-820
Overall Length: 4-1/8" (104 mm)	6-1/2" (165 mm)
Fixing Centres: 3-25/32" (96 mm)	6-1/4" (157 mm)
Height (max): 1-31/32" (50 mm)	1-31/32" (50 mm)

PKG QTY. 1

Open-fix Diecast Handles

A comparatively high-standing design, this handle has modern lines and no sharp projecting edges. Normal finish is bright chrome, but matt black is also very effective. Fixing is through deep-recessed holes in the top of the handle.



PKG QTY. 1

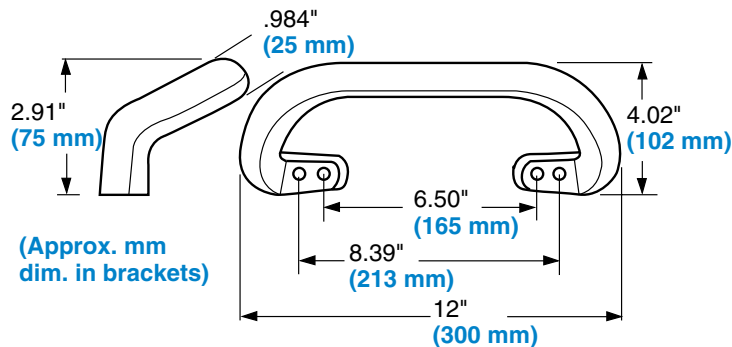
SPAENAUR No. 099-116
Open-fix handle, chromium plated finish

SPAENAUR No. 099-117
Open-fix handle, matt black finish

Overall length: 6.0"
Hole centres: 4.5"
Height under grip: 1.1"
Holes: 0.2" dia. within 0.4" recess

'Foamed' Steel-Cored Grab Rail

Moulded in expanded polyurethane foam, this handle has a soft, resilient surface and no sharp edges, while the steel core provides strength and rigidity. This modern design replaces traditional steel stanchion rails and ensures safety and comfort when used as a grab or entry assist rail.



Plug diameter **15 mm** accepting bolts to **12 mm** head diameter x **7 mm** shank.

Note: Rigid steel core means that handle cannot be 'flexed' to accommodate deviations in fixing holes.



SPAENAUR No. 099-044

PKG QTY. 1

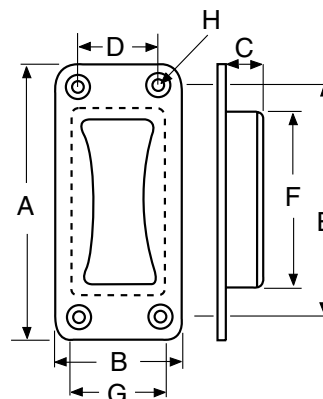
Features:

- Soft, padded surface. No sharp edges, for maximum safety. Triangular section for good grip. Mounting holes concealed by 'snap-in' plugs
- Attractive textured black finish. Other colours can be moulded subject to batch-quantity requirements.
- Fixing by bolting through four holes in steel core. Handle cannot be 'flexed'
- Moulded in expanded polyurethane foam around solid, **10 mm** steel rod.

Moulded Recess Grab Handle

Attractive, flush design in glass-filled nylon material with black textured finish. Face plate is shaped to provide comfortable grip. Suits sliding doors, roller-shutters.

SPAENAUR No. 099-B06-1A



Dimensions

- A. Length 5-15/64" (**133 mm**)
- B. Width 2-23/64" (**60 mm**)
- C. Depth 13/16" (**21 mm**)
- D. Hole centres 1-39/64" (**41 mm**)
- E. Hole centres 4-31/64" (**114 mm**)
- F. Recess length 3-47/64" (**95 mm**)
- G. Recess width 1-49/64" (**45 mm**)
- H. Hole sizes 15/64" (**6 mm**) countersunk to 25/64" (**10 mm**)

PKG QTY. 1

Specifications:

Moulded in glass-filled nylon with textured finished, cover & recess plate ultrasonically welded.