

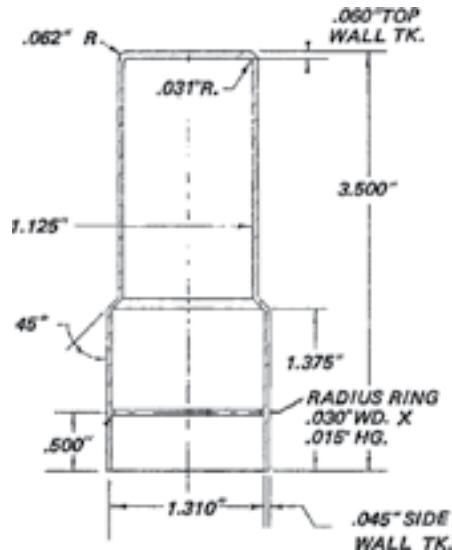
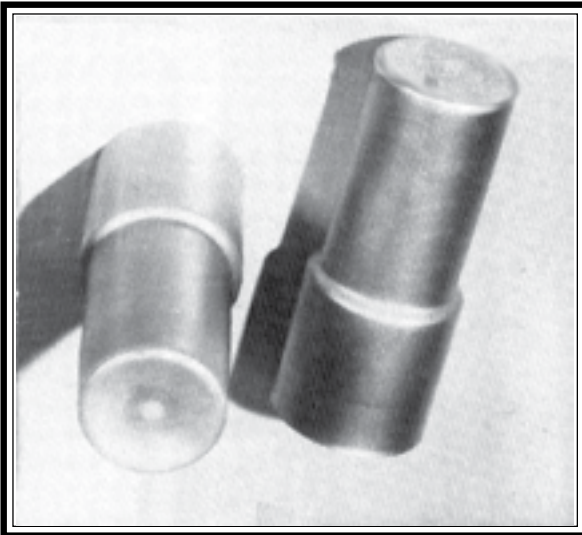
Inch

Diesel Fuel Injector Cap / Rod-End Protective Caps

Pouce

Capuchon d'injecteur de carburant diesel / Capuchons de protection d'extrémité de tige

Diesel Fuel Injector Cap



SPAENAUR No.

317-514

Colour: Blue

Material: Low Density POLYETHYLENE

Temperature Range: -35°C to +85°C

PKG QTY. 10

Rod-End Protective Caps

Specially designed cap protects threaded ends of rods from impact damage. Made of durable high-strength plastic, they have multiple reinforcing ribs to enhance wear life,

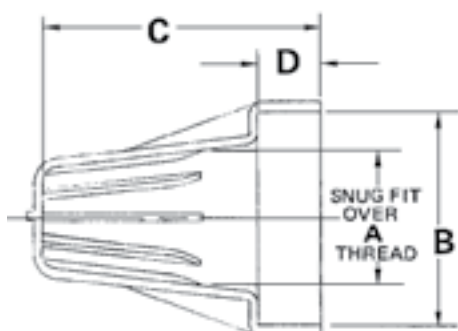


For protecting from damage in transit or in storage, the threaded ends of Piston-like oil extraction rods. These rods, usually some 7-1/2 metres (approx. 25 ft.) long and known as 'sucker-rods', are used extensively in oil fields for extracting oil from the ground.

Colour: Black
Material: Durable POLYETHYLENE

and a tapered interior to insure a tight fit. The caps are also used to provide a paint mask for rod threads.

Stock Sizes: To accommodate 5/8", 3/4", 7/8" and 1" threads.



*Special Series NPT-10TPI

SPAENAUR No.	Nominal *Thread Size	DIMENSIONS				PKG QTY.
		A	B	C	D	
317-515	5/8"	15/16"	1-1/4"	1-5/8"	5/16"	50
317-516	3/4"	1-1/16"	1-1/2"	1-7/8"	11/32"	25
317-517	7/8"	1-3/16"	1-5/8"	2-1/16"	3/8"	20
317-518	1"	1-3/8"	2"	2-13/32"	7/16"	10

Temperature Range: -48°C to +82°C