

Vibration Isolators - MAGO®-ROTULA

Metric

Amortisseurs de vibrations – MAGO®-ROTULA

Métrique

# MAGO®-ROTULA

## Vibration isolators



Colour-Coded Metal Top Covers indicate different insulator materials.

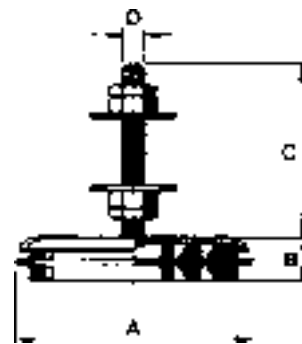
### GOLD TOP COVER

Butyl rubber for maximum vibration absorption.

### GREEN TOP COVER

Synthetic rubber for applications where petroleum, oils, solvents or greases are prevalent.

Leveling Screw has a rounded pivot end which is retained in a cup in the metal cover. This acts as a knee joint to level machinery on uneven floors.



### Diameters & Lengths in Millimetres

GOLD COLOUR SPAENAUR No.	GREEN COLOUR SPAENAUR No.	Ø A	B	SCREW		LOADS IN KG PER EACH PIECE
				ØD	LENGTH C	
314-150	314-159	50 mm	20 mm	M10	70 mm	0 - 60 kg
314-151	314-160	75 mm	25 mm	M12	100 mm	60 - 125 kg
314-152	314-161	100 mm	26 mm	M12	100 mm	125 - 200 kg
314-153	314-162	125 mm	30 mm	M16	150 mm	200 - 400 kg
314-154	314-163	175 mm	36 mm	M16	150 mm	400 - 700 kg
314-155	314-164	175 mm	44 mm	M16	150 mm	700 - 1400 kg
314-156	314-165	225 mm	42 mm	M20	175 mm	1400 - 2000 kg
314-157	314-166	225 mm	50 mm	M20	175 mm	2000 - 3000 kg
314-158	314-167	225 mm	50 mm	M20	175 mm	3000 - 4000 kg

PKG QTY. 1 (Mounting hardware included)

Isolates more than 80% of the vibrations transmitted.

Reduces mechanical stress to both floor and machine.

Not necessary to anchor the machine to the floor, cutting installation costs.

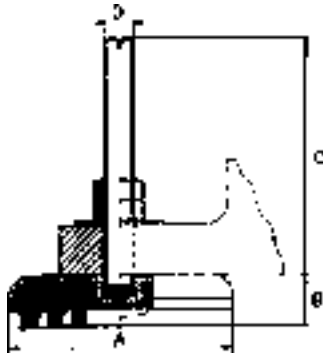
J

Metric

Vibration Isolators - MAGO<sup>®</sup>-FIX / MAGO<sup>®</sup>-BLOK

Métrique

Amortisseurs de vibrations – MAGO<sup>®</sup>-FIX / MAGO<sup>®</sup>-BLOK

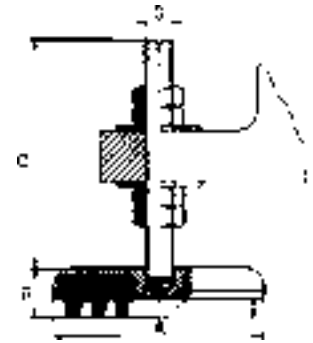


# MAGO<sup>®</sup>-FIX

AVAILABLE IN 6 DIFFERENT SIZES

**BUTYL RUBBER**  
SPECIAL ANTI-VIBRANT COMPOSITION

BOLT SCREWS INTO THE COVER,  
CREATING A RIGID ONE-PIECE MOUNT.



**DIMENSIONS (in millimetres)**

SPAENAUR No.	Approx. Ø A	B	SCREW		LOADS IN KG PER EACH PIECE
			Ø D	LENGTH C	
<b>314-F39-1C</b>	45 mm	20 mm	M8	60 mm	0 - 70 kg
<b>314-169</b>	75 mm	25 mm	M12	90 mm	70 - 200 kg
<b>314-170</b>	100 mm	30 mm	M12	90 mm	200 - 400 kg
<b>314-171</b>	125 mm	30 mm	M16	150 mm	400 - 700 kg
<b>314-F40-1Y</b>	175 mm	36 mm	M16	150 mm	700 - 1500 kg
<b>314-173</b>	215 mm	44 mm	M20	175 mm	1500 - 3000 kg



PKG QTY. 1 (Mounting hardware included)

# MAGO<sup>®</sup>-BLOK

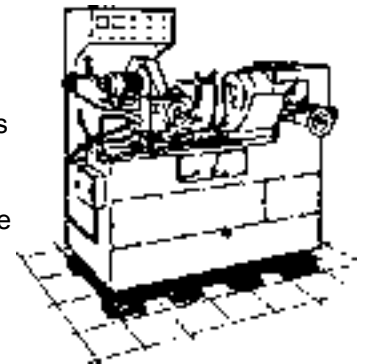
## Anti-vibration Pads

For use on heavy machines with flat bases which do not require leveling or anchoring to the floor, or for heavy machinery which has to be anchored to blocks of isolated concrete.

Excellent vibration and resonance absorption.

Reduces mechanical stress to shafts, bearings, gearings, etc., to avoid premature wear.

**BUTYL RUBBER**  
SPECIAL ANTI-VIBRANT COMPOSITION



SPAENAUR No.	DIMENSIONS (in millimetres)			LOADS IN KG PER EACH PIECE
	LENGTH	WIDTH	HEIGHT	
<b>899-A01-1N</b>	125 mm	65 mm	18 mm	0 - 150 kg
<b>899-002</b>	200 mm	85 mm	18 mm	150 - 300 kg
<b>899-003</b>	230 mm	115 mm	18 mm	300 - 500 kg
<b>899-004</b>	260 mm	155 mm	18 mm	500 - 700 kg
<b>899-005</b>	125 mm	65 mm	35 mm	0 - 250 kg
<b>899-006</b>	200 mm	85 mm	35 mm	250 - 500 kg
<b>899-007</b>	150 mm	130 mm	35 mm	500 - 700 kg
<b>899-008</b>	230 mm	115 mm	35 mm	600 - 750 kg
<b>899-A02-1T</b>	256 mm	152 mm	35 mm	750 - 1000 kg



Colour - BLACK  
Bottom of pad has  
across-tread grip  
pattern.

PKG QTY. 1

Anti-Vibration Isolators / Supports - MAGO®

Metric

Amortisseurs de vibrations / Supports – MAGO®

Métrique

# MAGO®-SUSPEND

## Anti-Vibrating Isolators

This mounting is specially designed to withstand the maximum strains from use with machinery, fixtures, or apparatus that is fixed to the floor or suspended from ceilings and beams. It has a wide range of applications, where the stability of the mount is essential.

**BUTYL RUBBER**  
SPECIAL ANTI-VIBRANT COMPOSITION

**DIMENSIONS (in millimetres)**

SPAENAUR No.	A	B	C	D	E	*LOADS IN KG PER EACH PIECE
<b>314-174</b>	95 mm	74 mm	40 mm	M12	118 mm	0 - 400 kg
<b>314-175</b>	110 mm	117 mm	60 mm	M14	150 mm	400 - 1250 kg
<b>314-176</b>	137 mm	140 mm	100 mm	M16	215 mm	1250 - 2000 kg



**PKG QTY. 1**  
(Mounting hardware included)

\*Important: For suspended equipment, the load in kilos for each mount is 50% less than indicated.

# MAGO®-FLEX

## Anti-Vibration Supports

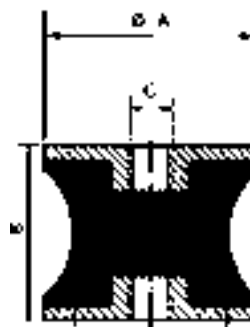
A wide range of applications from sensitive precision appliances to heavy machinery.

**Material: Natural Rubber**



**PKG QTY. 1**

SHORE A55/60°		SHORE A75/80°		DIMENSIONS (in millimetres)		
SPAENAUR No.	Load Kg Per Piece	SPAENAUR No.	Load Kg Per Piece	A	B	C
<b>314-189</b>	60 - 80 kg	<b>314-F44-1K</b>	90 - 120 kg	45 mm	35 mm	M8
<b>314-190</b>	80 - 120 kg	<b>314-179</b>	120 - 170 kg	55 mm	44 mm	M8
<b>314-191</b>	100 - 130 kg	<b>314-180</b>	140 - 190 kg	60 mm	60 mm	M10
<b>314-192</b>	120 - 175 kg	<b>314-181</b>	170 - 250 kg	69 mm	50 mm	M10
<b>314-F38-1Y</b>	175 - 260 kg	<b>314-182</b>	250 - 375 kg	85 mm	60 mm	M12
<b>314-195</b>	210 - 420 kg	<b>314-183</b>	300 - 600 kg	96 mm	54 mm	M14
<b>314-196</b>	240 - 490 kg	<b>314-184</b>	350 - 700 kg	98 mm	59 mm	M14
<b>314-196</b>	490 - 1050 kg	<b>314-185</b>	700 - 1500 kg	125 mm	65 mm	M16
<b>314-197</b>	850 - 1300 kg	<b>314-186</b>	1200 - 1800 kg	175 mm	75 mm	M16
<b>314-198</b>	1300 - 1800 kg	<b>314-187</b>	1500 - 2200 kg	225 mm	75 mm	M18



NOTE: Bolt and nut hardware must be ordered separately.

J