

Inch

Multi-Purpose Lever Handles & Locks

Pouce

Poignées à levier et serrures multifonctions

D-1408 Series LEVER HANDLES

For steel lockers, cupboards, office furniture, electrical cabinets and equipment panels.

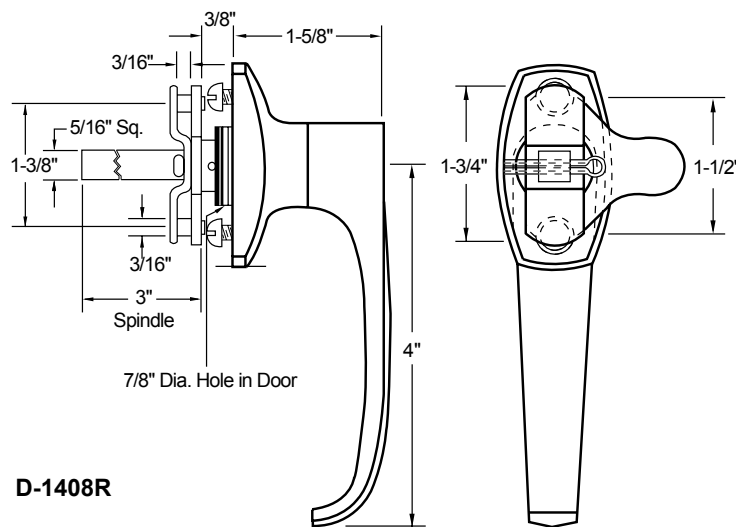
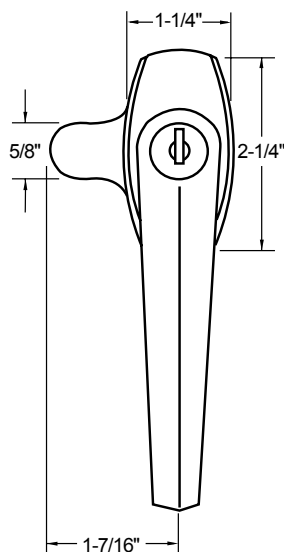
3-point locking mechanism (removable): a plated steel cam and bolt pick-up mechanism is supplied to enable espagnolette bolt action to be used. (Locking rods are not supplied.)

Each handle has a 3" long spindle which may be cut down by user to required length. (Special spindle lengths may be supplied on a special order basis. Minimum quantity 500 one number or assorted in D-1408 Series.)

ZINC BASE DIECASTINGS



Chrome Plated Finish



D-1408R

For More Handles see Pages L33 to L53.

| SPAENAUR No. | Description |
|--------------|--|
| D-1408R | Locking handle, with 2 keys, all to differ, for fixing to left edge of right door. Action 90° anti-clockwise to open. |
| D-1408L | Locking handle, with 2 keys, all to differ, for fixing to right edge of left door. Action 90° clockwise to open. |
| D-1408RKA | Locking handle, with 2 keys, all keyed alike, for fixing to left edge of right door. Action 90° anti-clockwise to open. |
| D-1408LKA | Locking handle, with 2 keys, all keyed alike, for fixing to right edge of left door. Action 90° clockwise to open. |
| D-1408RMK | Locking handle, master keyed, with 2 keys, all to differ, for fixing to left edge of right door. Action 90° anti-clockwise to open. |
| D-1408LMK | Locking handle, master keyed, with 2 keys, all to differ, for fixing to right edge of left door. Action 90° clockwise to open. |
| D-1408NR | Non-locking handle, for fixing to left edge of right door. Action 90° anti-clockwise to open. |
| D-1408NL | Non-locking handle, for fixing to right edge of left door. Action 90° clockwise to open. |
| D-1408D | Dummy fixed handle, non-operating, no spindle, no locking mechanism. Acts as a door pull, or to give a balance to the operating handle. |

PKG QTY. 1 Order Master Keys separately. See Page L2.

Series 92

CATALOG 14

SPAENAUR

Multi-Purpose Lever Handles & Locks

Inch

Poignées à levier et serrures multifonctions

Pouce

LEVER HANDLES

For Automotive and Multi-Purpose Use

Each handle has a 5" long spindle which may be cut down by user to required length. (Special spindle lengths may be supplied on a special order basis. Minimum quantity 500 one number on special spindle length orders.)

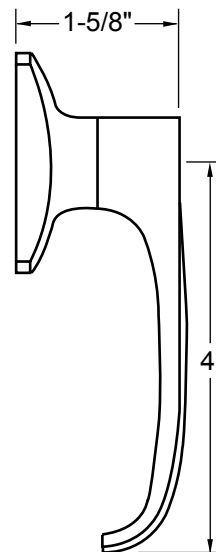
Spindle is 5/16" square

Flat Escutcheon

Escutcheon Holes
1-3/4" Centre to Centre

ZINC BASE DIE-CASTINGS

Chrome Plated
Finish



**For More Handles
see Pages L33 to L53.**

L

**SPAENAUR
No. DESCRIPTION**

Series 92

| | |
|----------------|---|
| 096-233 | Locking handle, with 2 keys, <u>all to differ</u> , for fixing to left edge of right door. Action 90° anti-clockwise to open. |
| 096-234 | Locking handle, with 2 keys, <u>all to differ</u> , for fixing to right edge of left door. Action 90° clockwise to open. |
| 096-235 | Locking handle with 2 keys, <u>all keyed alike</u> , for fixing to left edge of right door. Action 90° anti-clockwise to open. |
| 096-236 | Locking handle, with 2 keys, <u>all keyed alike</u> , for fixing to right edge of left door. Action 90° clockwise to open. |
| 096-237 | Non-locking handle, for fixing to left edge of right door. Action 90° anti-clockwise to open. |
| 096-238 | Non-locking handle, for fixing to right edge of left door. Action 90° clockwise to open. |
| 096-273 | Same as 096-238 except spindle is 1-1/2" long. |
| 096-232 | Locking handle SET OF TWO (one left and one right handle) with same key (2 Keys included). Each SET is <u>keyed to differ</u> . |

PKG QTY. 1 (except **096-232** Set has 1 L.H. & 1 R.H.) **To order Master Keys and for Additional Data see Page L2.**

L4

Inch

Lever Handles Locking / Non Locking

Pouce

Poignées à levier verrouillables / non verrouillables

Rotary Handles - "Lever L"

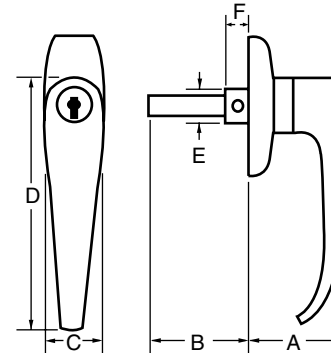


Non-Locking
096-337

Locking
096-336

No. 096-336 comes with 2 locking keys.
All to differ.

DIE-CAST - CHROME PLATED FINISH
PLAIN SHAFT - MILD STEEL



PKG QTY. 1

Max. Dimensions of escutcheon: 1-1/4" x 2-1/2"
Escutcheon fixing centres: 1-1/2" standard

- A. Max. height 1.6" (41 mm)
- B. Standard shaft 4.5" (115 mm)
- C. Max. width 1.0" (25 mm)
- D. Max. length 4.5" (115 mm)
- E. Fixing detail 0.55" (14 mm)
- F. Fixing detail 0.4" (10 mm)

Shaft is 5/16" (7.94 mm) square.

For fixing to **right** or **left** edge of door. Action 180° clockwise to open.

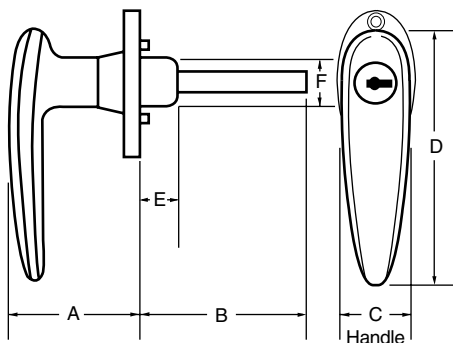
These elegant die-cast handles are intended as a simple and versatile method for securing industrial cabinets and enclosures, and in certain cases may also be suitable for vehicle uses. The handles can be used to operate our slam or compartment latch ('dead bolt') products, or will take a simple locking tongue, or cam, illustrated on page L39 in this catalog.

Rotary Handles

DIE-CAST - CHROME PLATED FINISH

For fixing to **right** or **left** edge of door.

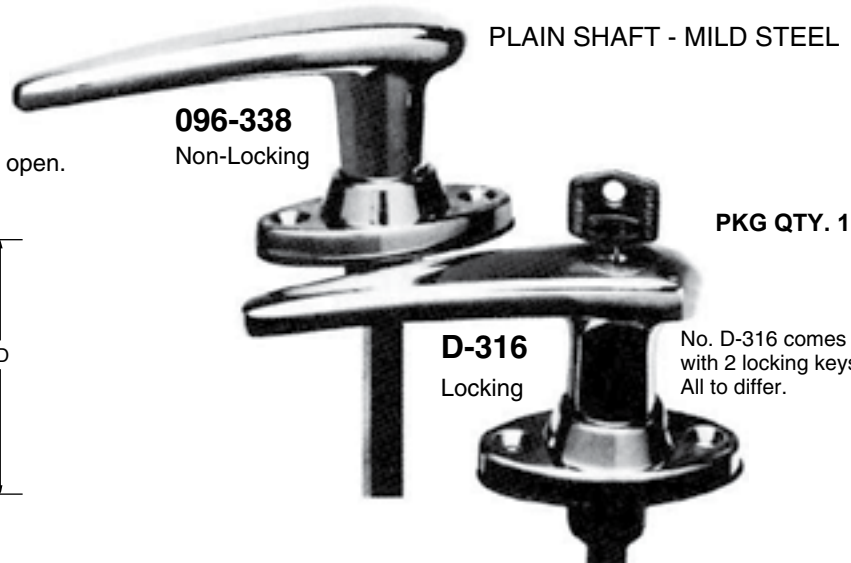
Action 360° clockwise or anti-clockwise to open.



- A. Max. height 2.0" (51 mm)
- B. Standard shaft 5.0" (127 mm)
- C. Max. width 1.0" (25 mm)
- D. Max. length 4.1" (105 mm)
- E. Fixing detail 0.7" (17 mm)
- F. Fixing detail 0.9" (21 mm)

Shaft is 5/16" (7.94 mm) square.

Escutcheon fixing centres: 1-1/2" standard.



096-338
Non-Locking

D-316
Locking

PKG QTY. 1

No. D-316 comes with 2 locking keys.
All to differ.

A most popular handle, fitted as original equipment upon all types of vehicles worldwide.

Strong, smoothly-styled with no sharp projections, the distinctive 'elongated pear-shape' is seen upon tractors and excavators, on rear-opening vans and trailers, and also mounted in a vertical position for sliding slam-type doors and shutters.

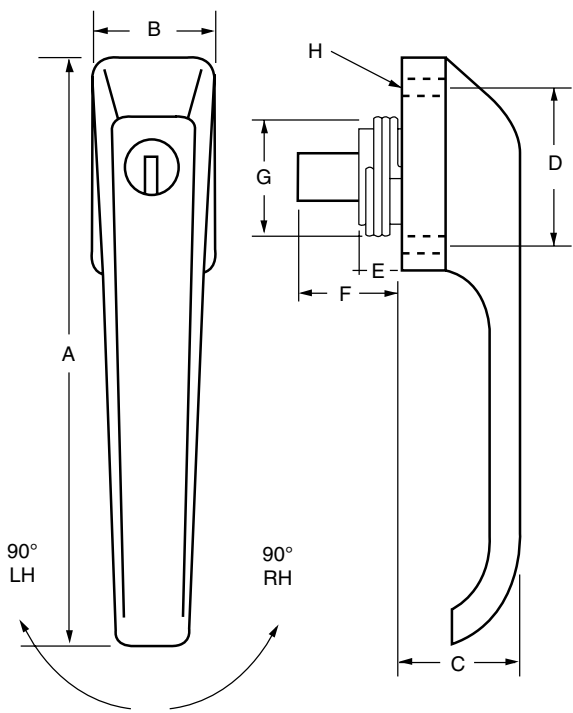
Useful for 'industrial' purposes, i.e. electrical consoles and cabinets particularly in black powder-coated finish.

Multi-Purpose Lever Handles & Locks

Inch

Poignées à levier et serrures multifonctions

Pouce

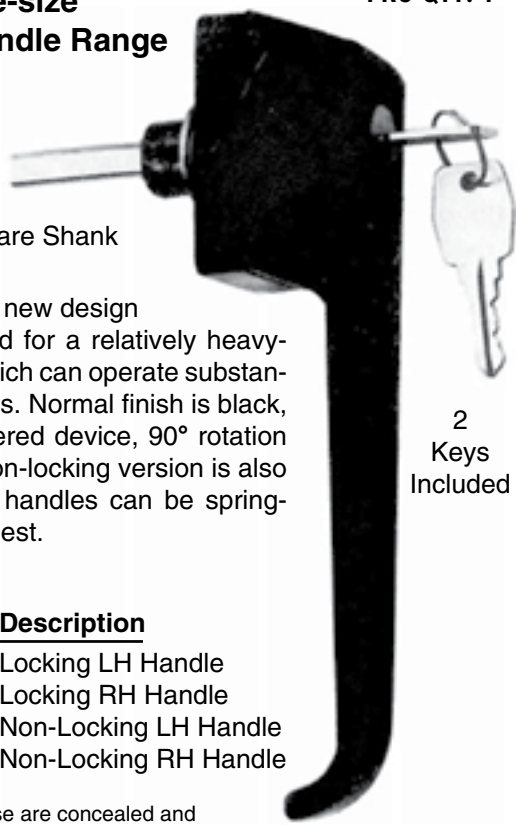


Large-size Modern Handle Range

PKG QTY. 1

5/16" Square Shank

This attractive, new design meets the need for a relatively heavy-duty handle which can operate substantial mechanisms. Normal finish is black, with 'FT' shuttered device, 90° rotation LH or RH. A non-locking version is also available. The handles can be spring-loaded on request.



2 Keys Included

- A. Length 7.25" (185 mm)
- B. Width 1.45" (37 mm)
- C. Height 1.55" (39 mm)
- D. Hole centres 1.75" (44 mm)
- E. Projection 0.50" (13 mm)
- F. Shaft length 5.0" (125 mm)
- G. Clearance 1.1" (28 mm)
- H. Hole dia. 0.21" (5.5 mm)

| SPAENAUR No. | Description |
|--------------|-----------------------|
| 096-011 | Locking LH Handle |
| 096-012 | Locking RH Handle |
| 096-013 | Non-Locking LH Handle |
| 096-014 | Non-Locking RH Handle |

Note: The escutcheon contains open mounting holes for exterior fixing: however, these are concealed and inaccessible when handle is in a locked position. Drawing shows handle with return-spring fitted.

L

LEVER LATCH HANDLE 096-335

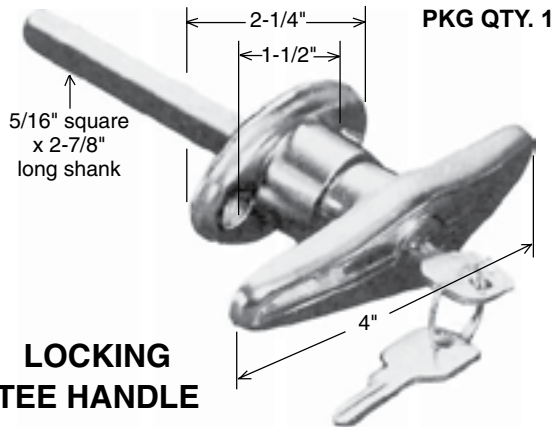
PKG QTY. 1

Zinc Base Die-Cast CHROME PLATED



Shank is 5/16" square x 3-3/4" long.

Action 360° rotation.



PKG QTY. 1

LOCKING TEE HANDLE 096-262

Zinc Base Die-Cast CHROME PLATED

Action 90° clockwise to open.

All Locking Handles this page Keyed to Differ.

Inch

Multi-Purpose Lever Handles & Locks

Pouce

Poignées à levier et serrures multifonctions

“DB Series”

360 Degree
Rotation



Mounting Holes
Center to Center
1.75"

Shank 5" long
x 5/16" square.

“Traditional” Handle Designs

Elegant and functional, these handles have many applications.

Available in Locking or Non-Locking

Material: Zinc based alloy die-cast.

096-001 Key-Locking, Chrome Finish

096-002 Non-Locking, Chrome Finish

Locking models supplied with two keys.

PKG QTY. 1

The “Boot T” is so called because it suits a great many vehicle uses. It can also be used as a neat, stylized handle for any other “rotary” functions.

Material: Zinc based alloy die-cast.

Finish: Chrome.

096-005 Key-Locking

Mounting Holes Center to Center 1.75"

096-021 Key-Locking
Mounting Holes Center to Center
1.50" (above no.)

Locking models supplied with two keys.

“Boot T” Series

360 Degree
Rotation



Shank 5" long x 5/16" square.

PKG QTY. 1

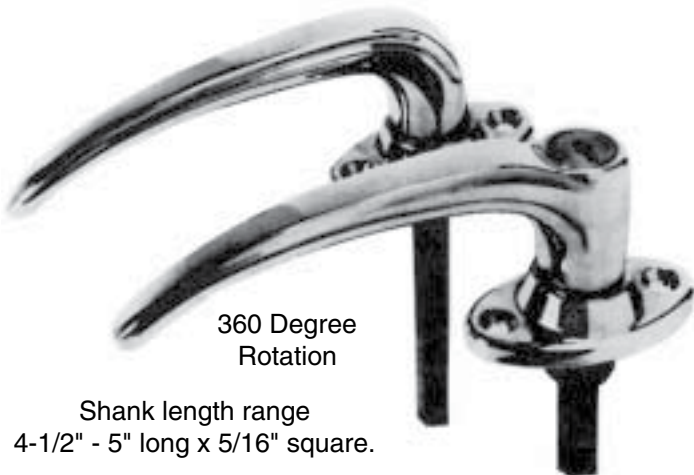
“Arched”-Style Handles

A slim, tapered handle design, this handle is slightly larger than the “DB” series, at 5.2" (130 mm).

Material: Zinc based alloy die-cast.

Finish: Chrome.

PKG QTY. 1



360 Degree
Rotation

Shank length range
4-1/2" - 5" long x 5/16" square.

Locking models supplied with two keys.

Keyed to Differ.

096-015 Key-Locking

096-017 Non-Locking

Mounting Holes Center to Center 1.75"

096-019 Key-Locking

096-020 Non-Locking

Mounting Holes Center to Center 1.50"

096-016 Key-Locking

096-018 Non-Locking

Mounting Holes Center to Center 1.43"