

Pipe Plugs Short / Grease Fitting Adaptors

Metric

Bouchons de tuyau courts / Adapteurs d'embout de graissage

Métrique

DIN 7604 A

A = Short Thread

HEX HEAD PIPE PLUGS

with Shoulder

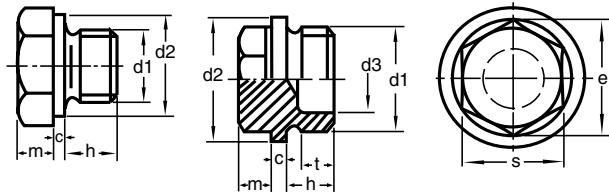
Class 5.8 STEEL, Plain Finish

Parallel Metric Fine Thread

Suffix: ZP = Zinc Plated

YZ = Yellow Zinc Plated

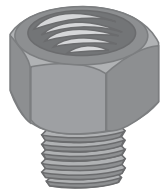
Metric / Métrique



DIN 7604A Short Thread

SPAENAUR No.	d1 Dia. x Pitch	c	d2	d3	t	h short	m	s	e	PKG QTY.
246-119	M12 x 1.5	1.5	17	—	—	9	6	17	18.9	10
246-119ZP	M12 x 1.5	1.5	17	—	—	9	6	17	18.9	10
246-332	M14 x 1.5	1.5	19	—	—	9	6	19	21.1	1
246-332ZP	M14 x 1.5	1.5	19	—	—	9	6	19	21.1	1
246-333ZP	M16 x 1.5	1.5	21	—	—	9	6	22	24.49	1
246-309ZP	M30 x 1.5	2.5	36	20	10	9	8	22	24.49	1
246-309YZ	M30 x 1.5	2.5	36	20	10	9	8	22	24.49	1

H

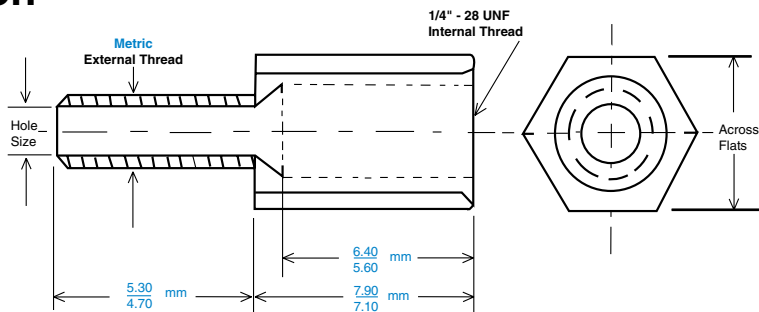


Metric Conversion

Adaptors

STEEL - Zinc Plated

Fit Metric Threads listed below
converting them to
1/4" - 28 UNF
Standard Internal Thread.



SPAENAUR No.	External Thread Dia. x Pitch	Across Flat (mm)	Stud Hole Size (mm)	PKG QTY.
113-010	M6 x 1.00 mm	9.5 / 8.79	3.00 / 2.90	25
113-011	M8 x 1.00 mm	9.5 / 8.79	3.40 / 3.20	25
113-012	M10 x 1.00 mm	11.15 / 10.95	3.80 / 3.60	25

NEW



Threadlocker prevents threaded fasteners from coming loose due to shock and vibration.

See Page B4