

# Plug Style Glides / Solid Plugs for Tube

Inch

## Patins enfichables / Bouchons solides pour tubes

Pouce

### ROUND Style INSERT GLIDES of Black Polyethylene - for TUBING



(1) Without Metal Insert

SPAENAUR No.	Tubing Size Gauge x O.D.	Base O.D.	Style
315-663	16 ga. x 1"	1"	(1)
315-H32-1T	18 ga. x 5/8"	5/8"	(1)
315-491	18 ga. x 3/4"	3/4"	(1)



(2) With Metal Insert

SPAENAUR No.	Tubing Size Gauge x O.D.	Base O.D.	Style
315-493	16-18 ga. x 1"	1"	(2)
315-657	18 ga. x 7/8"	7/8"	(2)

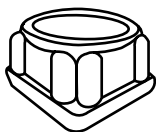
### RECTANGULAR Style



PKG QTY. 25

SPAENAUR No.	Tubing Size Gauge x O.D.	Base Dimensions
315-499	16 ga. x 1/2" x 1"	1/2" x 1"
315-628	16-18 ga. x 1/2" x 1 1/2"	1/2" x 1 1/2"
315-629	16-18 ga. x 3/4" x 1 1/2"	3/4" x 1 1/2"
315-630	16-18 ga. x 1" x 2"	1" x 2"

### INSERT GLIDES for SQUARE TUBING PKG QTY. 25



Square Style Base

SPAENAUR No.	Tubing Size O.D. x Gauge	Base Dim.	Colour
315-639	3/4" x 16-18 ga.	3/4" sq.	Black
315-640	3/4" x 16-18 ga.	3/4" sq.	White
315-643	7/8" x 16-18 ga.	7/8" sq.	Black
315-497	1" x 16-18 ga.	1" sq.	Black
315-656	1" x 13 ga.	1" sq.	Black
315-644	1-1/8" x 16-18 ga.	1-1/8" sq.	Black
315-498	1-1/4" x 16-18 ga.	1-1/4" sq.	Black



Alternate Style Base

SPAENAUR No.	Tubing Size O.D. x Gauge	Base Dim.	Colour
315-664	1/2" x 16-18 ga.	1/2" sq.	Black
315-494	5/8" x 18 ga.	5/8" sq.	Black

### Polyethylene Material

#### SQUARE ANGLE BASE



PKG QTY. 25

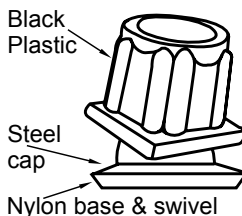
SPAENAUR No.	Tubing Size O.D.	Gauge	Overall Height	Base Angle	Colour
315-468	3/4"	16-18	7/8"	19°	Black
315-469	3/4"	16-18	7/8"	19°	White
315-472	7/8"	16-18	15/16"	19°	Black

### Furniture Glides

#### SWIVEL STYLE - for SQUARE TUBING



PKG QTY. 50



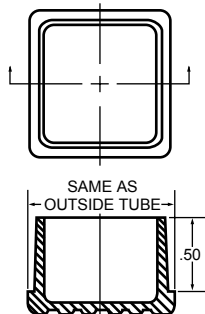
Base Dia. 1-5/32"

SPAENAUR No.	Square Tubing O.D.	Gauge	Finish
112-090	3/4"	16-18	Brass
112-091	3/4"	16-18	Chrome
112-092	7/8"	16-18	Brass
112-093	7/8"	16-18	Chrome
112-094	1"	16-18	Brass
112-095	1"	16-18	Chrome

### Finishing Plugs for SQUARE METAL TUBING



View of plug installed.



MATERIAL/COLOUR: Low Density Polyethylene/Black

Temperature Range -70° to 79°C (-94° to 175°F)

SPAENAUR No.	Will Plug Tube Size	PKG QTY.
315-658	3/4" x 16 ga. (.063")	25
315-647	1" x 14 ga. (.072")	25
315-659	1" x 16 ga. (.063")	25
315-660	1" x 18 ga. (.049")	25
315-661	1" x 20 ga. (.035")	25
315-648	1-1/4" x 14 ga. (.072")	25
315-662	1-1/4" x 16 ga. (.063")	25
315-699	1-1/2" x 11 ga. (.125")	25
315-649	1-1/2" x 14 ga. (.072")	25
315-650	1-1/2" x 16 ga. (.063")	25
315-651	2" x 14 ga. (.072")	25
315-652	2" x 16 ga. (.063")	25


For more plastic feet see page J45. See also TIPS on page J52

Inch

**Solid Plugs for Tube**

Pouce

Bouchons solides pour tubes




## ROUND TUBING TYPE

Designed to fit tube ends in furniture tubing, etc. Provides a trim finished appearance, and protects floors from sharp tube ends.

**HIGH CARBON STEEL**

*More Metal Plug Buttons on pages H2 to H4. For Nylon Plug Button see pages J2 and J3.*

APPLICATION




Tube Size		O.D. of Plug Button Head	Plug Button Material	Bare Metal		Finished		PKG QTY.
I.D.	O.D.			SPAENAUR No.	Mfr. No.	SPAENAUR No.	Finish	
.620-.680"	3/4"	3/4"	Steel	<b>B-1684-PS</b>	HS-51260	<b>B-1684</b>	Nickel	50
.875-.900"	1"	63/64"	Steel	<b>B-1732-PS</b>	D-3031	<b>B-1732</b>	Nickel	50
1.092-1.150"	1-1/4"	1-15/64"	Steel	<b>B-1775</b>	HS-51328	<b>B-1775N</b>	Nickel	50

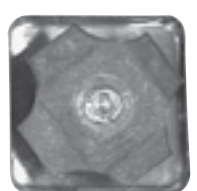
## SQUARE TUBING TYPE

STEEL - NICKEL PLATED.  
FIT SECURELY AND NEATLY.

B-1889




Top View






Bottom View

SPAENAUR No.	16-18 ga. Tubing O.D. Size
<b>B-1974</b>	3/4"
<b>B-1975</b>	13/16"
<b>B-1976</b>	7/8"
<b>B-1889</b>	1-1/8"



**PKG QTY. 50**

		SPAENAUR No.	Use With Tube O.D.	Tube Wall Thickness	Base Material	Base Finish
<b>Round Style</b> 		<b>112-227</b>	5/8" round	16-18 ga.	Case Hardened Steel	Zinc Plated
		<b>112-228</b>	3/4" round	16-18 ga.	Case Hardened Steel	Nickel Plated
		<b>112-G01-1Y</b>	7/8" round	16-18 ga.	Case Hardened Steel	Zinc Plated
		<b>112-234</b>	1" round	16-18 ga.	Case Hardened Steel	Nickel Plated
		<b>112-224</b>	1" round	16-18 ga.	Black NYLON	—
		<b>112-236</b>	1-1/8" round	16-18 ga.	Case Hardened Steel	Nickel Plated
		<b>112-237</b>	1-1/4" round	16-18 ga.	Case Hardened Steel	Nickel Plated
<b>Round Style with washer</b> (Provides Flange on Tube End) 		<b>112-238</b> with 1-1/2" washer	1" round	14-16 ga.	Case Hardened Steel	Nickel Plated
		<b>112-239</b> with 1-3/4" washer	1-1/4" round	16-18 ga.	Case Hardened Steel	Nickel Plated
<b>Square Style</b> 		<b>112-229</b>	3/4" square	16-18 ga.	Case Hardened Steel	Nickel Plated
		<b>112-231</b>	13/16" square	16-18 ga.	Case Hardened Steel	Nickel Plated
		<b>112-233</b>	7/8" square	16-18 ga.	Case Hardened Steel	Nickel Plated
		<b>112-235</b>	1" square	16-18 ga.	Case Hardened Steel	Nickel Plated
		<b>112-225</b>	1" square	16-18 ga.	Black NYLON	—
		<b>112-226</b>	1-1/8" square	16-18 ga.	Black NYLON	—

**Swivel & Non-Swivel Type Glides / Appliance Feet**

Inch

**Patins pivotants et non pivotants / Pieds pour électroménagers**

Pouce

**SUPER-SILENT GLIDES for tubular metal furniture**

**SWIVEL-TYPE**

Nickel Plated

Internal Retainer Style  
With Square Metal Platform



PKG QTY.  
40

SPAENAUR No.	Tubing Size	Base Dia.	Base Material
*112-083	3/4" Square #16, #18 ga.	15/16"	Metal Base and Rubber Cushion
112-G03-1N	3/4" Square #16, #18 ga.	15/16"	High-density Polyethylene Base and Rubber Cushion

\* Zinc Plated

**SWIVEL-TYPE**



PKG QTY. 40

SPAENAUR No.	Base Dia.	Size Of Tubing Outside	Size Of Tubing Inside	Base Material
112-118	7/8"	5/8" Rd.	.495"-.527"	Nickel Plated Steel
112-G02-1C	29/32"	7/8" Rd.	.750"-.780"	Zinc Plated
112-102	7/8"	1" Rd.	.870"-.902"	Nickel Plated Steel
112-082	7/8"	1" Rd.	.870"-.902"	Nylon, Natural

**NON-SWIVEL TYPE**

Nickel Plated Steel Base

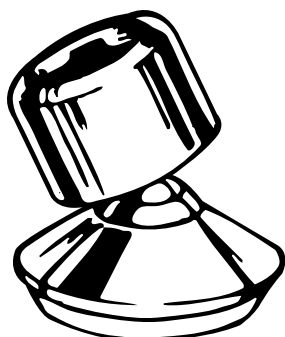


PKG QTY. 40

Strong, shock-absorbing action reduces noise that commonly results from moving furniture.

SPAENAUR No.	Tubing Size	Retainer Style	Base Dia.
B-1892	1-1/8" Square #20 ga.	Internal	1-1/16"

BASE DIAMETER  
1-1/4"



PKG QTY. 40

SPAENAUR No.

112-117

**SWIVEL-TYPE**  
Nickel Plated Steel

Attractive, modern design.  
Ball-swivel action to 34°.

DIAMETER OF TUBING  
5/8" Ferrule with Outside Holding Clip to fit .625"-.636" O.D. Tubing

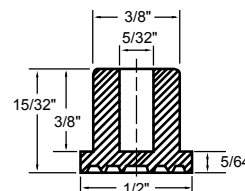
**THE GRIPPER**



White, Non-staining

SPAENAUR No.

315-171



**Non-walking Appliance Foot**  
(Suitable for Motorized Counter-top Appliances)

Made of FDA-approved polylastomer.

PKG QTY. 100

F

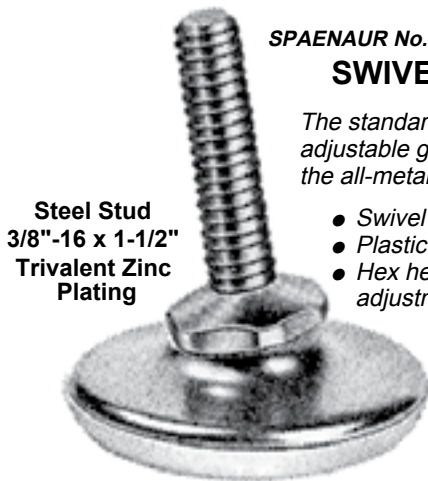
Inch

Stud Mount Swivel Glides

Pouce

Patins pivotants à goujon

## SWIVEL ADJUSTABLE LEVELING GLIDES



**Steel Stud**  
3/8"-16 x 1-1/2"  
Trivalent Zinc  
Plating

**SPAENAU No. 112-G04-1T**  
**SWIVEL GLIDE**

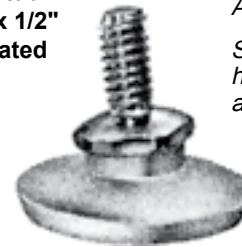
*The standard swivel adjustable glide with the all-metal look.*

- Swivel action up to 16°
- Plastic contacts floor
- Hex head for easy adjustment

**1-11/16" Dia. White Polyethylene Base**  
with nickel plated steel shell

**SPAENAU No. 112-113**  
**ECONOMICAL SWIVEL ADJUSTABLE GLIDE**

**Steel Stud**  
1/4"-20 x 1/2"  
Zinc Plated



*All-plastic base.*

*Swivels to 16° with hex head for easy adjustment.*

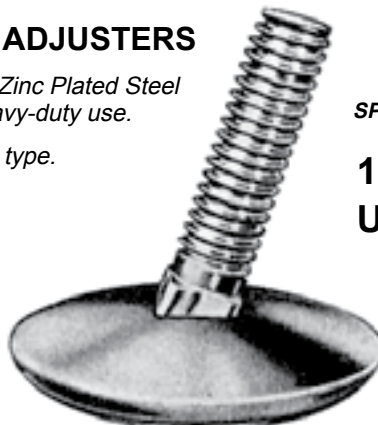
*White Base*

**1-1/8" Dia. Base**

### LEG ADJUSTERS

*Bright Zinc Plated Steel for heavy-duty use.*

*Swivel type.*



**1-3/4" Dia. Base**

**SPAENAU No.**

**112-084** 3/8"-16 x 1-1/2" shank

**UH-28** 3/8"-16 x 2" shank

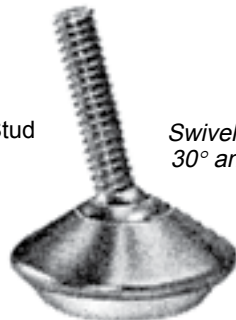
*Swivel action may be stiff on some glides but that will not affect actual application.*

### ADJUSTABLE SWIVEL GLIDE

**SPAENAU No.**

**112-132**

1/4"-20 x 1" Steel Stud



*Swivels to 30° angle*

**1-1/4" Dia. Base**  
Base is made of case hardened steel.  
Nickel plated shell.

### SWIVEL GLIDE

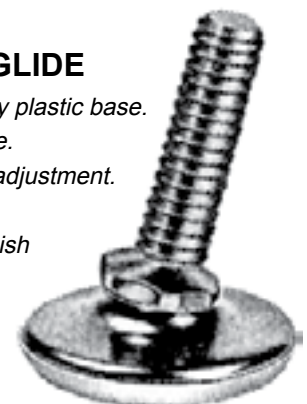
*Floor is protected by plastic base.*

*Swivels to 16° angle.*

*Hex head for easy adjustment.*

*Base colour - white.*

*Base cover shell finish nickel-plated steel.*



**1-1/8" Dia. Base**

**SPAENAU No.**

**112-115**

1/4"-20 x 1/2" Steel Stud

**112-116**

5/16"-18 x 1" Steel Stud

**All Glides this page, PKG QTY. 50**

See Section "J" for Heavy Machinery & Vibration Mounts.

**Stud Mount Leg Leveler Glides**

Inch

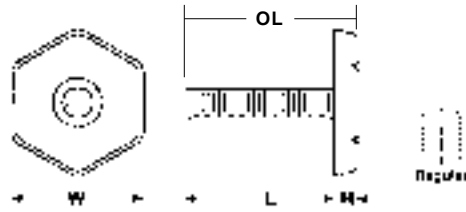
**Patins niveleurs de pattes à goujon**

Pouce

**LEG LEVELERS**

**C1008/1010 Steel, Zinc Plated**

Two Piece Welded Construction.  
Studs supplied with regular point.



Style 1W



Style 28



Style 35

PKG QTY. 25

SPAENAUR No.	Thread Size	(OL) Overall Length Tol. ± .060"	Length from Top of Base to Point. (L) Tol. ± .060"	Base Style	Base Width (W) Tol. ± .010"	Base Height (H) Tol. ± .010"	Base Material Thickness Tol. +.004" to -.000"
112-240	1/4"-20	1.26"	1.08"	1W	1-1/16"	.180"	.039"
112-241	1/4"-20	1.292"	1.127"	35	1-3/8"	.165"	.071"
112-242	1/4"-20	1.76"	1.58"	1W	1-1/16"	.180"	.039"
112-134	1/4"-20	1.779"	1.467"	28	1-3/8"	.312"	.058"
112-243	1/4"-20	2.26"	2.08"	1W	1-1/16"	.180"	.039"
112-244	1/4"-20	2.279"	1.967"	28	1-3/8"	.312"	.058"
112-245	5/16"-18	1.26"	1.08"	1W	1-1/16"	.180"	.039"
112-246	5/16"-18	1.292"	1.127"	35	1-3/8"	.165"	.071"
112-139	5/16"-18	1.403"	1.238"	35	1-3/8"	.165"	.071"
112-300	5/16"-18	1.542"	1.377"	35	1-3/8"	.165"	.071"
112-247	5/16"-18	1.76"	1.58"	1W	1-1/16"	.180"	.039"
112-135	5/16"-18	1.779"	1.467"	28	1-3/8"	.312"	.058"
112-248	5/16"-18	2.26"	2.08"	1W	1-1/16"	.180"	.039"
112-249	5/16"-18	2.279"	1.967"	28	1-3/8"	.312"	.058"
112-250	5/16"-18	2.76"	2.58"	1W	1-1/16"	.180"	.039"
112-136	5/16"-18	2.779"	2.467"	28	1-3/8"	.312"	.058"
112-G06-1W	3/8"-16	2.03"	1.91"	1W	1-1/16"	.180"	.058"
112-G07-1M	3/8"-16	2.089"	1.467"	28	1-3/8"	.312"	.058"
112-252	3/8"-16	2.26"	2.08"	1W	1-1/16"	.180"	.039"
112-253	3/8"-16	2.279"	1.967"	28	1-3/8"	.312"	.058"
112-G10-1X	3/8"-16	2.292"	2.500"	35	1-3/8"	.165"	.071"
112-254	1/2"-13	1.784"	1.472"	28	1-3/8"	.312"	.058"
112-255	1/2"-13	2.284"	1.972"	28	1-3/8"	.312"	.058"
112-257	1/2"-13	2.797"	2.632"	35	1-3/8"	.165"	.071"
112-G11-1A	1/2"-13	3.284"	2.972"	28	1-3/8"	.312"	.058"

F

Inch

**Stud Mount Leg Leveler Glides**

Pouce

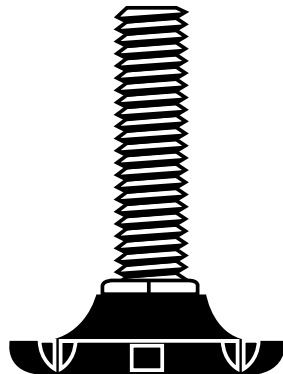
Patins niveleurs de pattes à goujon

**NON-SWIVEL ADJUSTABLE LEVELING GLIDES**

**SPAENAUR No. 112-085**

3/8"-16 x 1-1/2"  
Steel Stud  
Zinc Plated

Overall Height  
2"



Reduced Bottom Illustration



1-11/16" Dia  
Black Polyethylene Base

PKG QTY. 50

**SPAENAUR No. 112-178**

Steel Stud  
Zinc Plated

3/8"-16 x 1-1/2"



Slotted End for Adjusting

Base - 7/8" Wide  
Thickness - 9/64"

PKG QTY. 25

**RUBBER CUSHION LEVELING SILENCER**

Resilient cushion adjustable glide for straight legs. Stud moulded in to provide strength and silencing action. Available in nickel-plated finish only.

SPAENAUR No.	BASE CAP DIAMETER	STUD SIZE & LENGTH
112-109		1/4"-20 x 1/2"
112-110	7/8"	1/4"-20 x 1"
112-112		5/16"-18 x 1"

PKG QTY. 50



**NON-SWIVEL ADJUSTABLE LEVELING GLIDES**

Features an all-metal look and extra strength for straight legs. Plastic base contacts floor. Base colour - white. Base cover shell available in satin-nickel finish only.

SPAENAUR No.	BASE & SHELL DIAMETER	STUD SIZE & LENGTH
112-105		1/4"-20 x 1/2"
112-106	1-1/8"	1/4"-20 x 1"
112-108		5/16"-18 x 1"

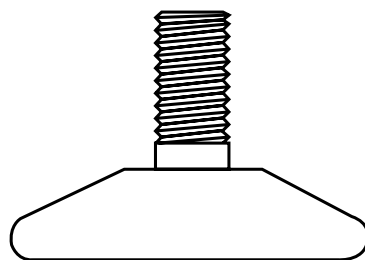
PKG QTY. 50



**LEVELER GLIDE**

Steel Stud  
Zinc Plated

White Polyethylene Base



1-5/8" Diameter

SPAENAUR No.	Shank Size
112-101	1/4"-20 x 3/4"
112-098	5/16"-18 x 3/4"
112-099	5/16"-18 x 1-1/4"
112-100	3/8"-16 x 1-1/4"
*112-121	3/8"-16 x 1-1/4"

PKG QTY. 50

(\*Black)

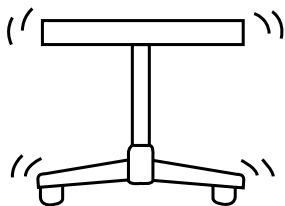
**Stud Mount Leg Leveling Table Glides**

Patins niveleurs de pattes de table à goujon



Inch

Pouce



**TABLE GLIDES**

**TABLE SHOX** table glides automatically adjust to uneven floor surfaces.

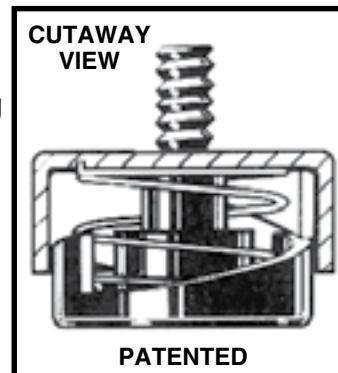
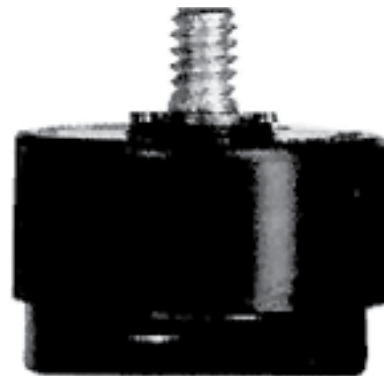
**TABLE SHOX**, for new or existing tables, are inexpensive, easy to install, durable and rust free.

**TABLE SHOX** work by using the table's weight to automatically adjust to a floor's surface every time the table is moved

The secret to **TABLE SHOX** effectiveness is its patented double cam and spring mechanism.

All **TABLE SHOX** contain a hardened stainless steel spring, housed in a black super-tough nylon body and are guaranteed to keep your tables wobble-free without damaging floors or carpet. Use indoors or out.

**TABLE SHOX** table glides are also installed as original equipment by many table manufacturers.

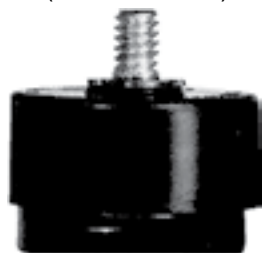


F

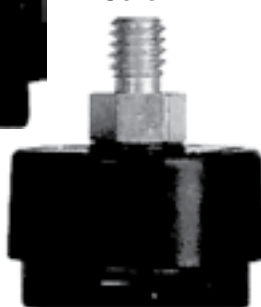
**Determine Which Size Fits Your Table**

To determine correct screw diameter, remove present glide from table and compare to sizes shown.

**1/4"-20 Screw**  
(Standard Size)



**5/16"-18 Screw**



**3/8"-16 Screw**



**Shown Actual Size**

Note: Use on wood or metal pedestal tables (not folding tables).

SPAENAUR No.	Thread Size	Base Diameter	Installed Height
112-008	1/4"-20	1.5"	1.15"
112-009	5/16"-18	1.5"	1.15"
112-010	3/8"-16	1.5"	1.15"

PKG QTY. – 4 GLIDES (ALL ONE SIZE)

**Installation Information**

1/4"-20 thread sizes require a 3/16" Across Flats Hex Key for install.  
(Suggest SPAENAUR No. SS-67K or SS-67KL)

5/16"-18 thread sizes require a 7/16" Across Flats Wrench.  
(Suggest SPAENAUR No. 990-260 3/8" x 7/16" Across Flats Open End Wrench)

3/8"-16 thread sizes require a 1/2" Across Flats Wrench.  
(Suggest SPAENAUR No. 990-262 1/2" x 9/16" Across Flats Open End Wrench)