

Slam Latches & Spring Latches

Loquets et pènes à ressort



Inch  
Pouce

SLIDING DOOR LOCK

**WARNING:** This Sliding Door Lock should NOT be used for personal restraint applications.

*(Hold Door in Open or Closed Position)*

**SPAENAUR No. 099-B27-1W**

(Mfr. #5696)

Plain Finish

- 4-1/8" length of lock
- 2" width of lock
- 5/8" thickness of case
- 5/16" sq. hole for handle shank
- .69 lbs. weight each



**SPAENAUR No. 099-B28-1M**

(Mfr. #5696 1/2)

With thumb latch to lock door from inside.

Weight: .74 lbs. each

PKG QTY. 1



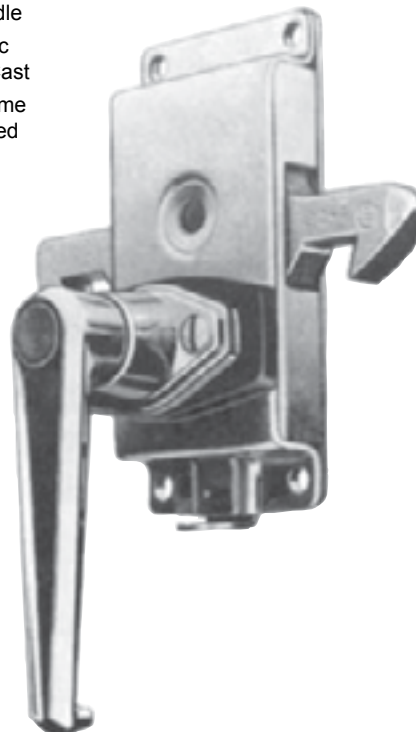
**SPAENAUR No. 099-B15-1W**

(Mfr. #10-5690X)

Zinc Plated

Weight:  
3 lbs. each

Inside Handle  
Zinc Die Cast  
Chrome Plated



**Dimensions:**

- 5-5/16" length of case
- 2-1/2" width of case
- 2-3/4" end of hook bolt to c. of lock case
- 3/4" thickness of lock case
- 5/16" sq. hole for handle shank
- 4-3/4" mounting hole centre dim. - length
- 2" mounting hole centre dim. - width
- 17/64" mounting hole dia. - 4 holes

This heavy duty sliding door lock has a firm spring action which latches the door securely, requires but a slight turn of the handle to release it and open the door. This ease of operation is due to the independent latches hinged from a shoulder pin in centre of lock case. The double latches permit the lock to be used for right or left hand doors as well as for the two-fold purpose of holding door in both open and closed positions. This mechanism permits locking the doors from the inside by merely pushing in the locking thumb latch. **However, this does not automatically unlock by turning the inside handle. To unlock, the thumb latch must be released manually.**

PKG QTY. 1

MAY BE USED IN PASSENGER RESTRAINT APPLICATIONS.

L

Inch

Pouce



# Rotary Slam Latch / Folding Tee Handle

Loquet à ressort rotatif / poignée en T pliante

Three methods of release.

## Compact Rotary Slam Latch

**SPAENAUR No. 099-153** (Mfr. #200)  
STEEL - Electro Zinc Finish

**SPAENAUR No. 099-B09-1C** (Mfr. #200SS)  
304 STAINLESS STEEL

Latch Pawls are Carbon Steel with black coating.

- Recommended for small hoods, lids, doors, or panels.
- Universal mounting.
- Easily mounted with two 1/4" bolts.
- Receives any 3/8" dia. striker.

● Suggested maximum load 100 lbs.

**WARNING**  
This product must not be used for personal restraint applications.

**Folding-T Handle** with attached stamped steel escutcheon. A concealed stainless steel spring holds the zinc die-cast handle in the folded position.

5/16" square shank.

1-13/32" long

**SPAENAUR No. 099-197**

PKG QTY. 1

STEEL Zinc-plated

Mfr. # 4855-A

Weight: 0.4 lbs.

## Rotary Paddle Lock (Slam Latch)

The new Key-locking rotary paddle lock was designed for a wide variety of applications requiring a durable means of positive latching, incorporating the industry standard paddle latch configuration with the positive latching features of our two-stage rotary.

**SPAENAUR No. 099-194** STAINLESS STEEL  
(Mfr. # 3-4373SS) Bright Polished

099-194 includes four 11/64" dia. mounting holes on 3-3/4" x 3-13/16" hole centres.

*Non-Locking and Mounting Hole Versions are available.*

PKG QTY. 1

Weight: 1.37 lbs.

CATALOG 14 SPAENAUR

Inch

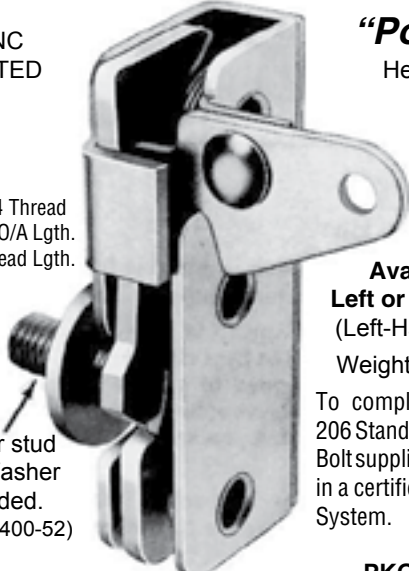
Pouce



# Rotary Latches / Flush Mount Paddle Handle

Loquets rotatifs / poignée à palette affleurante

**ZINC PLATED**



7/16"-14 Thread  
1-9/16" O/A Lgth.  
3/4" Thread Lgth.

Striker stud and Washer included.  
(Mfr. #2-400-52)

**"Positive"**  
Heavy-duty

(Mfr. #400)

**Available in Left or Right-Hand**  
(Left-Hand Shown)

Weight: 1 lb. each

To comply with FMVSS 206 Standards, the Striker Bolt supplied must be used in a certified FMVSS Door System.

## Rotary Latching Points

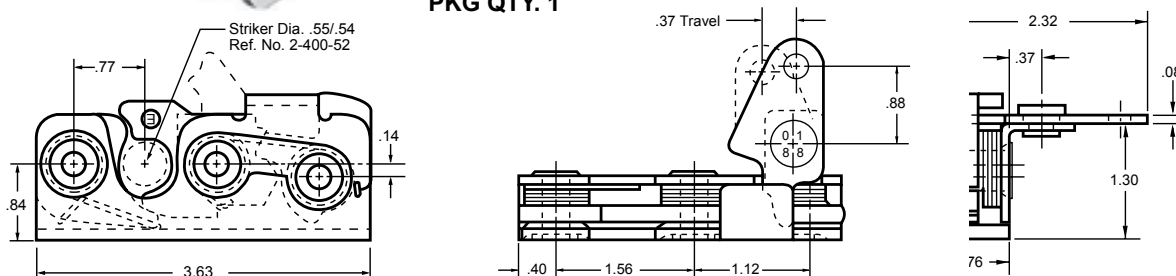
Mounts through the pivot points of the mechanism rather than through the holes of the case extension.

This latch can be used on cab and other vehicle door applications to which the FMVSS 206 applies. It can also be used on any other enclosure application that would benefit from positive latching.

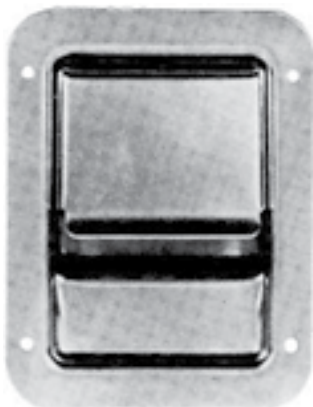
When the door is closed, the gripping member of the latch captures the shank of the hex-headed striker stud horizontally, vertically, and axially. The design affords easy trip-release action, positive gripping, and smooth opening and closing. Both primary and secondary latching capabilities are inherent in the design.

SPAENAUR No.	Style	Mfr. #
<b>099-030</b>	Right-Hand	400R with 2-400-52
<b>099-031</b>	Left-Hand	400L with 2-400-52
<b>099-218</b>	Striker Stud with Washer	2-400-52

**PKG QTY. 1**



## Flush-Mounted Paddle Handles - Cable Actuating



ZINC PLATED

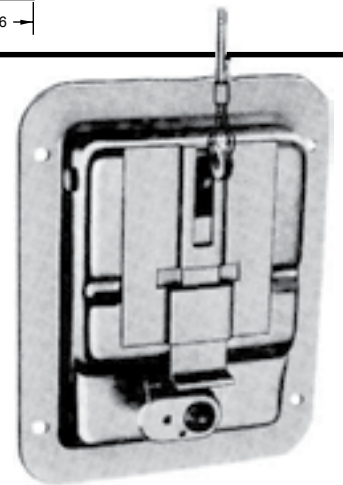
SPAENAUR No.	Style	Mfr. #
<b>099-026</b>	Key-Locking	250
<b>099-027</b>	Non Key-Locking	249
<b>099-040</b>	Locking Cylinder only	4901-61
<b>116165</b>	Replacement Key	-

(Front view shown)

**099-027**  
**Non Key-Locking**  
Weight:  
1 lb. 1 oz. each

*Designed to activate remote latching points.*

*See page L56 for typical installation.*



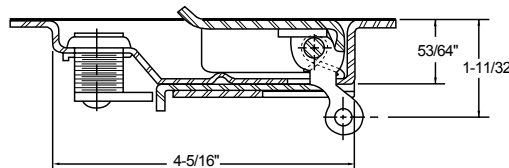
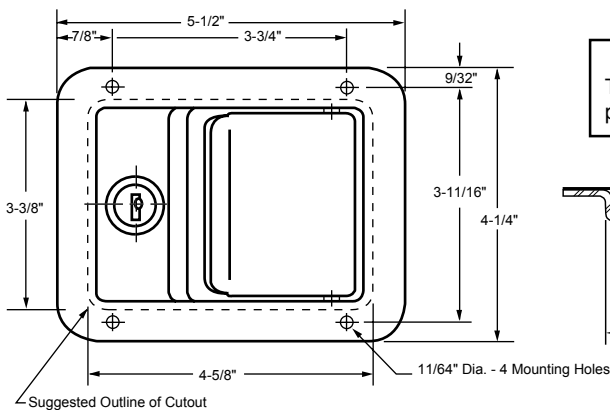
(Rear view shown)

**099-026**  
**Key-Locking**

Keyed to differ - With one key  
Replacement key cylinder  
**099-040**

Weight: 1 lb. 2-1/2 oz. each

**WARNING**  
This product must not be used for personal restraint applications.



**PKG QTY. 1**

**NOTE**  
Drawings and dimensions on this page are for reference only. For manufacturing production or tooling purposes, obtain current engineering print from SPAENAUR.

Rotary Latches / Latch & Lock Parts

Loquets rotatifs / Pièces pour loquets et verrous



Inch  
Pouce

Rotary Latching Points

Heavy Duty  
(Mfr. #300)

"Positive"  
(Right Hand Style Shown)  
ZINC-PLATED

This unusual new latch is intended for use on compartment and other doors to which Federal Motor Vehicle Safety Standard 206 is not applicable, or on any other enclosure that would benefit from positive latching. Its compactness and simplicity lends it to many applications where economy of space is desirable.

When the door is closed, the gripping member of the latch captures the shank of the hex-socket striker bolt, horizontally, vertically and axially. The design affords easy trip-release action, positive gripping and smooth opening and closing. Both primary and secondary latching capabilities are inherent in the design.

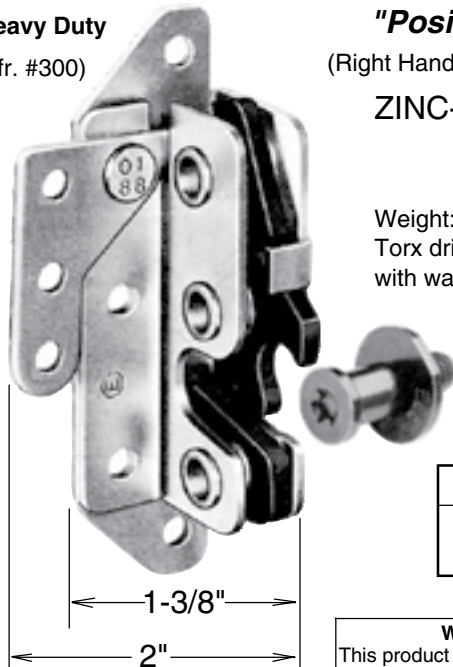
Heat treated latch members and a stainless steel spring increase durability.

When ordering specify right or left hand.

Weight: 1 lb. includes Torx drive striker bolt with washer.

7/16"-14 Thread  
1-3/4" O/A Lgth.  
3/4" Thread Lgth.

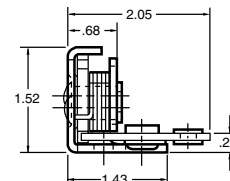
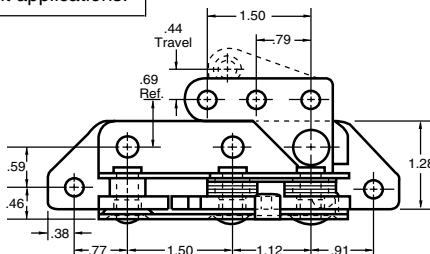
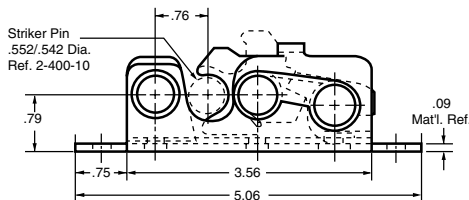
(Mfr. #2T-400-52)



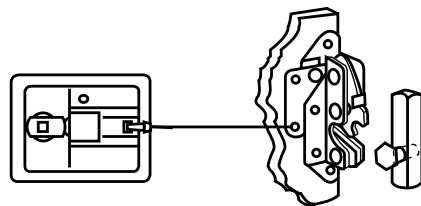
SPAENAUR No.	Style	Mfrs' #
099-028	Right Hand	1-300R with 2T-400-52
099-029	Left Hand	1-300L with 2T-400-52

PKG QTY. 1

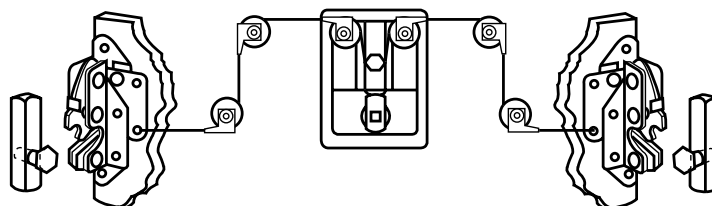
**WARNING**  
This product must not be used for personal restraint applications.



TYPICAL INSTALLATIONS



SINGLE-POINT



MULTI-POINT

Idler Pulley for Slam Latch  
Steel with Nylon Wheel

SPAENAUR No.	Style
099-216	Right Hand
099-215	Left Hand

PKG QTY. 1