

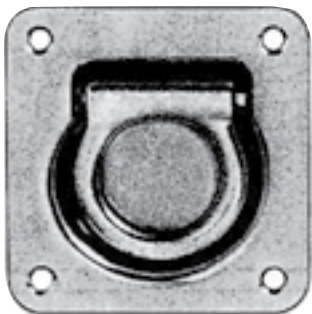
Rope Tie Downs & Binding Hooks

Anneaux et crochets d'arrimage pour corde



Inch
Pouce

Recessed Rope Ring



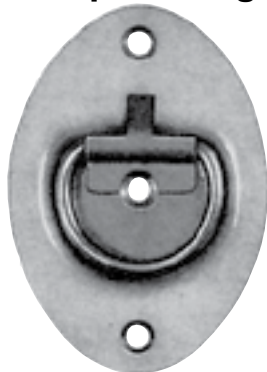
PKG QTY. 1
SPAENAUR No. D-4057 (Mfr. #172)
Zinc Plated Steel

- 4" overall length
- 3-3/4" overall width
- 1" thickness case behind flange
- 1-1/2" inside diameter of ring
- 10 oz. weight each

Holes for No.12 Flat Head Attachment Screws.

For use inside van bodies.

Recessed Rope Fitting



PKG QTY. 1
SPAENAUR No. D-3206 (Mfr. #170)
Zinc Plated Steel

- Designed for 3/8" Plywood Lined Vans. Rope ring has a 3/8" recessed pan, therefore, can be mounted and fastened directly into frame.
- 5" overall length
- 3-5/8" overall width
- 3/8" deep
- 3 mounting holes for #14 flat head screw
- 1/2 lb. weight each

A sturdy drop-D ring pull, large enough to accept two fingers. May also be used to attach rope, chain or cable.

FORMED HOOK



PKG QTY. 1
SPAENAUR No. 099-287
(Mfr. #7462)

Steel, Zinc Plated

Dimensions:

- 3/4" wide mounting plate
- 1-1/2" long mounting plate
- 1-9/32" opening of hook
- 2" approx. overall length
- 1/4 lb. weight each

ROPE FITTINGS



- 3-1/8" length overall
- 5/8" maximum size rope
- 3/8" diameter wire in hook
- 5/8" width base
- 3/16 lb. weight each

SPAENAUR No. D-4004ZP With 2 Holes, Zinc Plated (Mfr. #166-AH)

PKG QTY. 1

Made of steel, for welding to body, if desired.

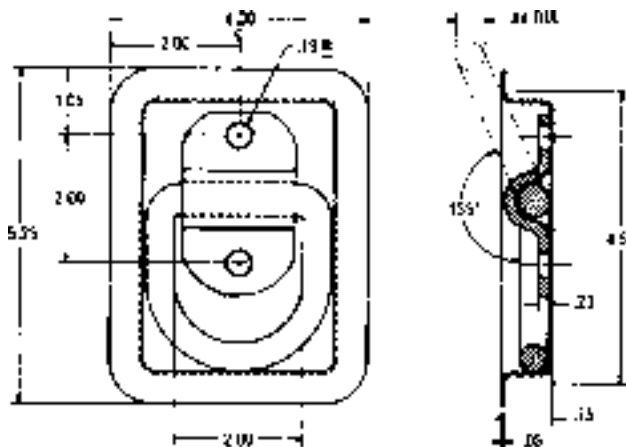
Rope Tie-Down

All Dimensions in Inches



PKG QTY. 1
SPAENAUR No. 099-467 (Mfr. #1170B)
Zinc Plated Steel

Weight: .97 lbs.



This sturdy unit is used for lashing or securing merchandise to beds or platforms in mobile applications. It is attached by bolts.

L