

Push Button Latch / Slam Action Strike

Loquet à bouton-poussoir / gâche à ressort



Inch
Pouce

Trigger • Low Profile • Adjustable • Push Button

This sturdy, durable latch has many of the attributes of the Trigger Latches shown above. It finds wide use for installation on cabinetry panels where a low profile is desirable.

With this model Trigger Latch, the mechanism is contained in a pan. The pan is attached to a panel by blind mounting. All components are die-cast. The unit is supplied with a chrome finish. Total weight is only 4-1/2 oz.

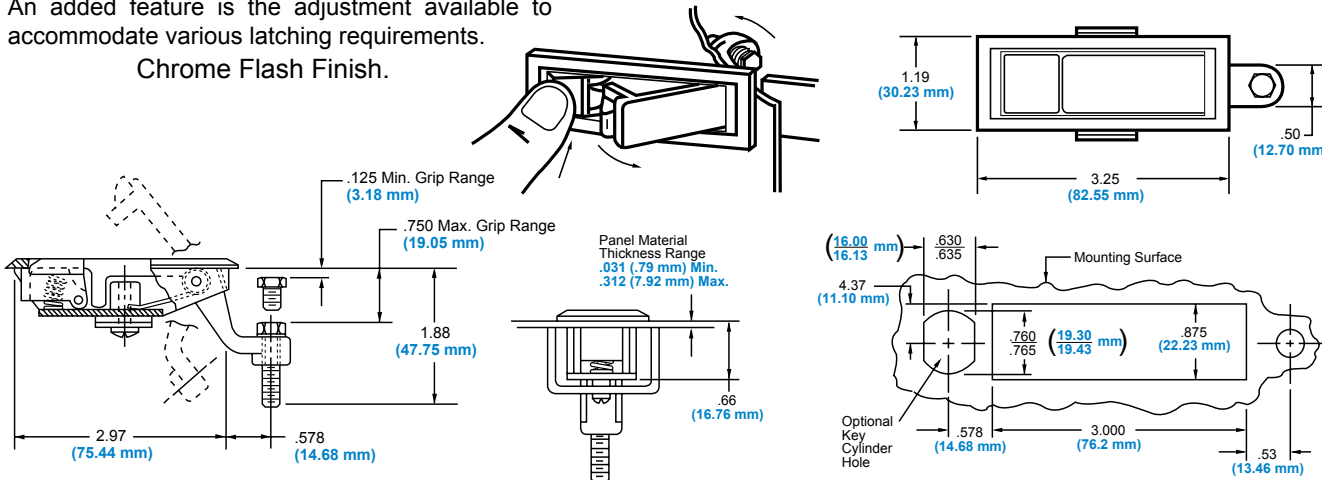
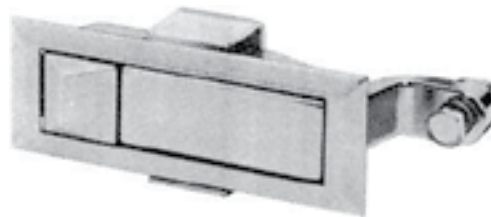
An added feature is the adjustment available to accommodate various latching requirements.

Chrome Flash Finish.

SPAENAUR No.
099-143

Mfr. #534
Trigger Latch with
Raised Button

PKG QTY. 1



NOTE: Drawings and dimensions on this page are for reference only. For manufacturing, production, or tooling purposes, obtain current engineering print from SPAENAUR.

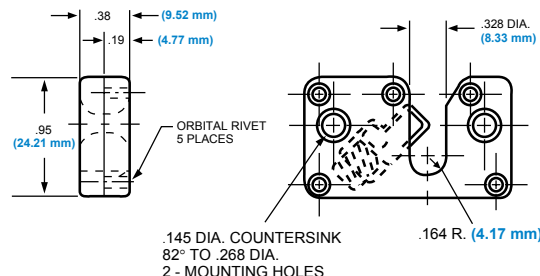
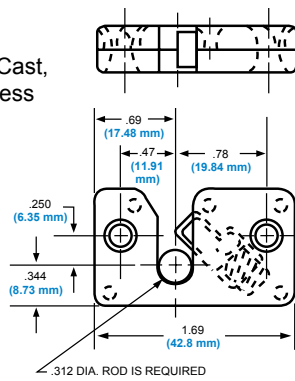
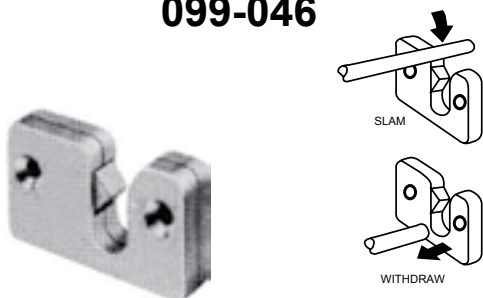
Slam Action Strike

SPAENAUR No.
099-046

Weight: 2 ozs.
Material: Zinc Die-Cast,
Plastic Trigger, Stainless
Steel Spring.

Dimensions, $\frac{\text{Inch}}{\text{mm}}$

PKG QTY. 1



This simple, effective strike is intended for use with many latching mechanisms having 5/16" diameter rods, which normally operate as dead bolts.

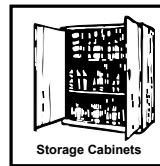
This strike allows such a latching mechanism to operate as a slam/dead bolt. The strike has a spring loaded plunger which permits the rod to pass into the strike and capture it. The rod cannot be released in the opposite direction.

Instead, the rod is withdrawn in customary dead bolt fashion (i.e., a centre mechanism must be turned to retract the rod from the strike. (See illustration on this page). May be used, for example, in conjunction with if equipped with 5/16" dia. rods.

Easily attached with screws, rivets or bolts.



Typical Applications



NOTE
Drawings and dimensions are for reference only. For manufacturing production or tooling purposes, obtain current engineering print from SPAENAUR.