

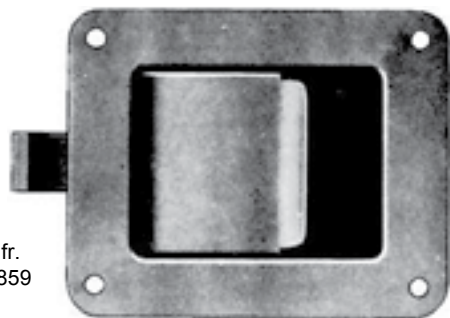
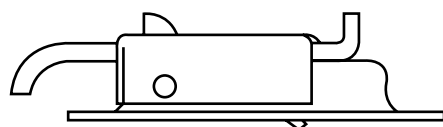
Inch

Pouce



Recessed Paddle Latches

Loquets à palette encastrés



Mfr. #4859

RECESSED PADDLE HANDLE LOCK

Non-Locking

SPAENAUR No.

D-4043N Steel, Nickel Plated

099-001 Stainless Steel (300 Series)

PKG QTY. 1

For small doors, electrical panels, cabinets, lockers, etc.

Installed with screws, rivets or by welding.

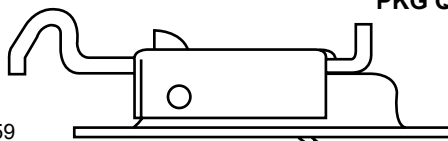
Note: Mounting screws and striker plates not included.

Dimensions

2-5/8" case outside length	3/8" slide bolt width
2" case outside width	1/8" slide bolt clearance
1-1/2" overall width of receptacle	from mounting surface
1-7/8" overall length of receptacle	3/8" slide bolt extension
11/16" overall thickness of housing	beyond mounting flange
1-5/8" x 2-1/4" hole centres	5/16" slide bolt travel
9/64" mounting holes (4)	Weight: 3 oz. each

PKG QTY. 1

Mfr. #5-4859

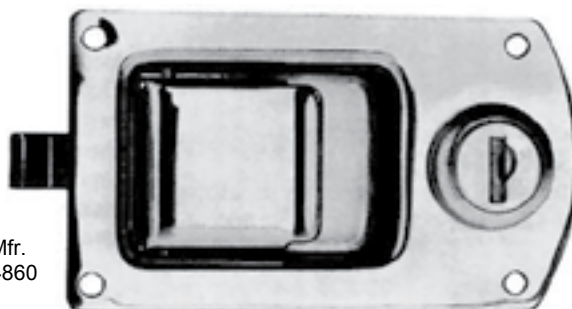
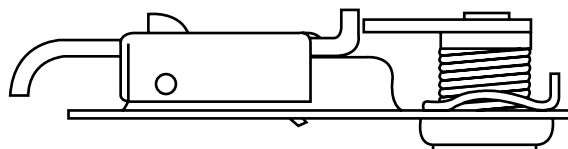


SPAENAUR No.

099-006 Steel, Nickel Plated

099-007 Stainless Steel (300 Series)

099-006 (side view) - Same as D-4043N, except with **hook type slide bolt** with clearance of 3/8" from mounting surface.



Mfr. #4860

RECESSED PADDLE HANDLE LOCK

Locking

SPAENAUR No.

D-4044N Nickel Plated

PKG QTY. 1

Same as D-4043N, except equipped with a rugged key locking cylinder where secure latching and locking is desired with a flush installation. Uses key cylinder 099-041 (Mfr. #4901-51). One key furnished.

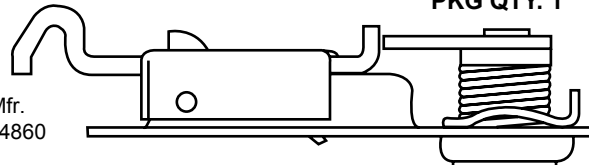
Note: Mounting screws and striker plates not included.

Dimensions

3-1/2" case outside length	3/8" slide bolt width
2" case outside width	1/8" slide bolt clearance
1-1/2" overall width of receptacle	from mounting surface
3-5/32" overall length of receptacle	3/8" slide bolt extension
(not rectangular)	beyond mounting flange
11/16" overall thickness of housing	5/16" slide bolt travel
1-5/8" x 2-7/8" hole centres	Weight: 4-3/4 oz. each
9/64" mounting holes (4)	

PKG QTY. 1

Mfr. #5-4860



SPAENAUR No.

099-010 Steel, Nickel Plated

099-010 (side view) - Same as D-4044N, except with **hook type slide bolt** with clearance of 3/8" from mounting surface.

NOTE: Drawings and dimensions on this page are for reference only. For manufacturing production or tooling purposes, obtain current engineering print from SPAENAUR.

Flush Mount Paddle Latches

Loquets à palette affleurants



Inch
Pouce

Flush Mounted • Paddle Handle

099-017

Zinc Plated Steel

Mfr.# 4890

PKG QTY. 1

Non-Locking



099-015 Same as 099-017, except flange has four 11/64" mounting holes with 3 x 3-3/16" hole centres. Made of 300 Series Non-Corrosive Stainless Steel.
(Mfr.# 2-4890SS (10))

A slam-action lock for single point engagement. Easily operated by pulling paddle handle outward. Easy to install. Simply cut hole close to edge of door and attach by screws, rivets, or welding. Can be used on either right or left hand doors.

(Some outside case dimensions may be 4-1/2" x 3-1/2", but, cut-out size stays the same.)

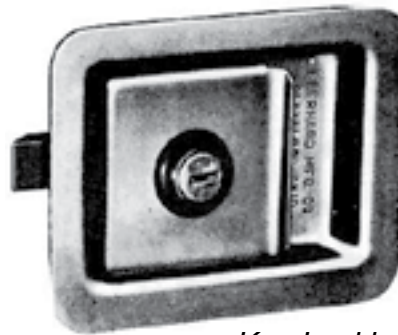
Dimensions:

- 4-3/4" case outside length 3/4" width slide bolt
- 3-3/4" case outside width 7/16" projected thickness of slide bolt
- 1-1/4" overall depth
- 13/16" bottom of flange slide bolt 7/16" slide bolt travel
- 1" slide bolt projection Weight: 13 oz. each from slide bolt case

See cut-out diagram at bottom of page.

099-012 Same as 099-255, except made of 300 Series Stainless Steel & four 11/64" mounting holes. (Mfr.# 4891SS) Outside case dimensions are 4-3/4" x 3-3/4".

099-013 Same as 099-255 (at right), except with inside knob release. Zinc Plated. (Mfr.# 1-4891)



099-255

Zinc Plated
Mfr.# 4891

PKG QTY. 1

Key Locking (Keyed to differ)

099-255 is the same as 099-017 lock (upper left), but with a key-locking mechanism. Replacement key cylinder **099-040**. (Mfr.# 4901-61) One key furnished. Weight: 1 lb., 2 oz. each

NOTE
Drawings and dimensions on this page are for reference only. For manufacturing, production, or tooling purposes, obtain current engineering print from SPAENAUR.

L

Flush Mounted • Paddle Handle

A slam-action latch for single point engagement. Easily operated by pulling paddle handle outward.

Can be installed in the same cut-out as the latches shown above, but has a wider flange with a smaller corner radius. In addition, the paddle handle and trigger for the bolt are an integral unit. Another important feature is the fact that the key cylinder on 099-148 is placed in the recessed pan rather than the handle. This provides additional protection to the key cylinder while minimizing maintenance.

099-147
(Mfr.# 4820)

Non Key-Locking

Material: STEEL
Electro Zinc Finish

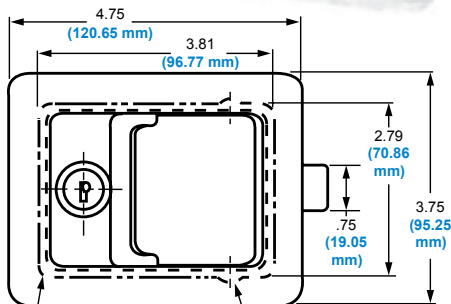
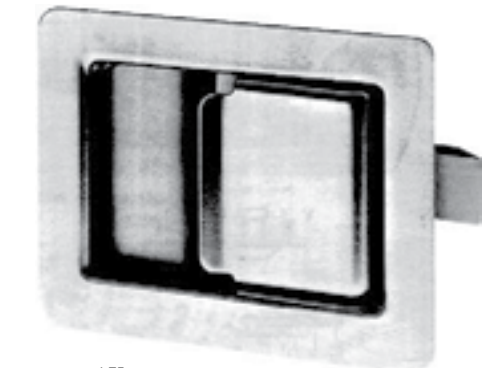
099-148

Mfr.# 4821

Key Locking

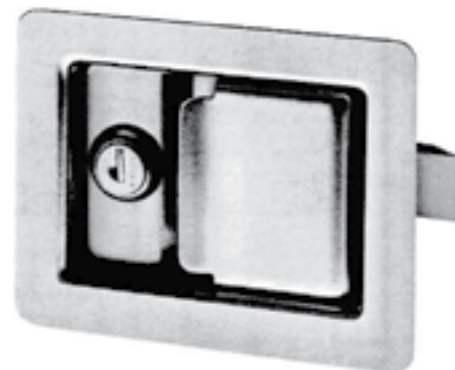
All latches this page use this cut-out.

PKG QTY. 1



Suggested Outline of Cutout

Notch if Needed for Cross Pin Clearance.



CATALOG 14

SPAENAUR

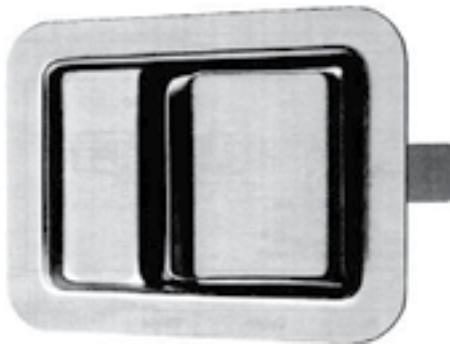
Inch

Pouce



Flush Mount Paddle Latches

Loquets à palette affleurants



Non Key-Locking

(Mfr. #4907)

SPAENAUR No.

- 099-021** Zinc Plated
- 099-023** Stainless Steel (300 Series) (Mfr. No. 3-4907 SS) with four mounting holes and integral trigger construction.

PKG QTY. 1

Slam-Action Flush Mounted Paddle Handles

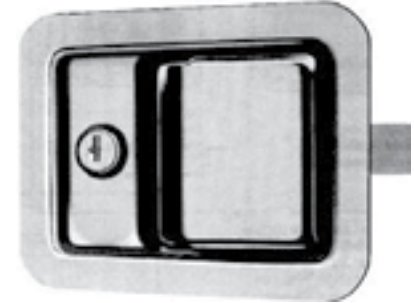
A slam-action lock for single point engagement. Easily operated by pulling paddle handle outward. Easy to install.

Dimensions:

- 5-1/2" case outside length
- 4-1/4" case outside width
- 1-13/32" overall depth
- 57/64" bottom of flange to slide bolt
- 1" bolt projection from case edge
- 3/4" bolt width
- 7/16" slide bolt travel

Suggested cut-out:
4-5/8" x 3-3/8"

Weight 1 lb. 2-1/2 oz. each



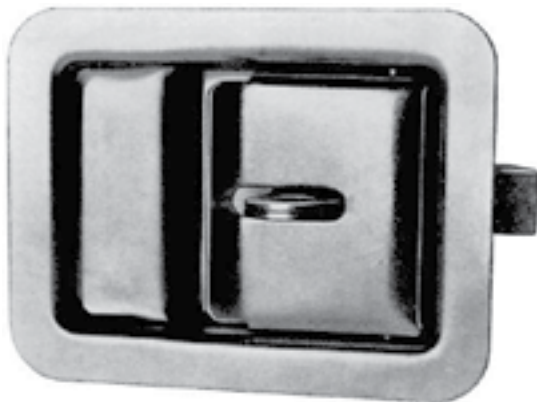
Key-Locking (Mfr. #4906)

SPAENAUR No.

- 099-020** Zinc Plated
- 099-B16-1M** Zinc Plated (Mfr. #1-4906) with added inside release.
- 099-022** Stainless Steel (300 Series) (Mfr. No. 3-4906 SS) with four mounting holes and integral trigger construction.
- 099-239** Zinc Plated with long angle slide bolt.

(One key furnished.)

Replacement key cylinder **099-024** (Mfr. #4901-51) (See page L58.)



Padlockable Paddle Handles

Material: STEEL
Electro Zinc Finish

099-149 (Mfr. #89-4907)

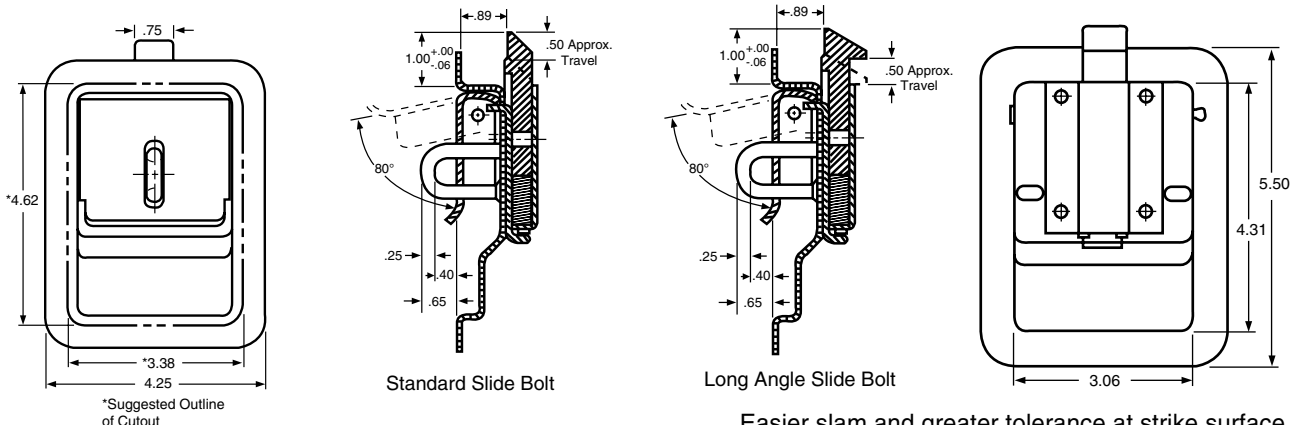
With Padlock Eye
Standard Slide Bolt

PKG QTY. 1

099-150 (Mfr. #88-4907)

With Padlock Eye
and Long Angle Slide Bolt

This slam latch is identical in all dimensions and functions to the slam latch shown above, except that it has a padlocking loop which is welded to the pan and which protrudes through the paddle handle.



Easier slam and greater tolerance at strike surface.

NOTE

Drawings and dimensions on this page are for reference only. For manufacturing, production, or tooling purposes, obtain current engineering print from SPAENAUR.

CATALOG 14 SPAENAUR

Flush Mount Large Paddle Latches

Gros loquets à palette affleurants

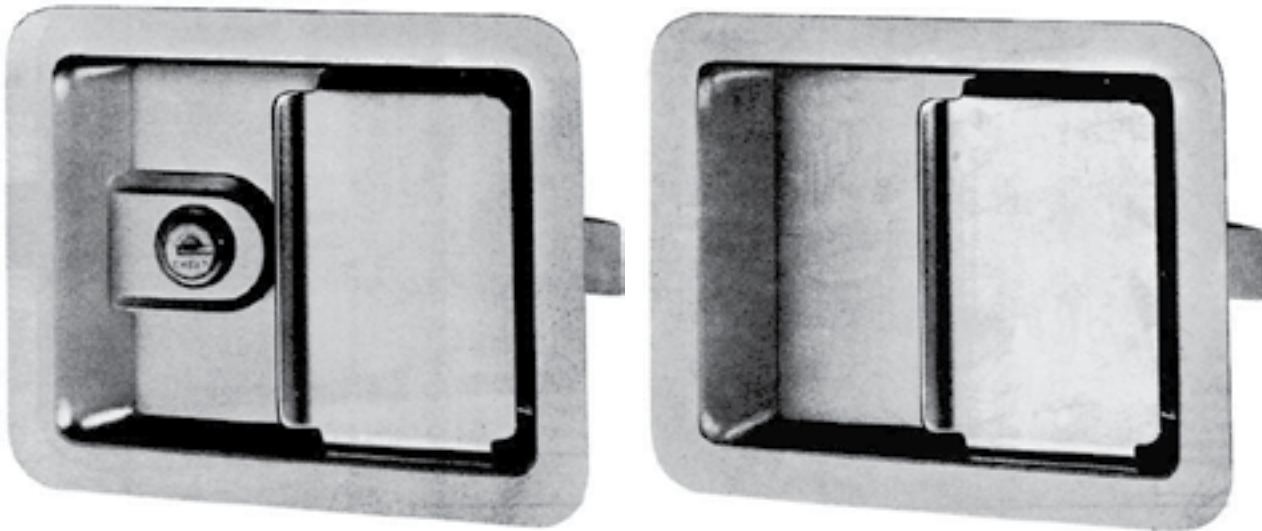


Inch

Pouce

Flush Mounted • Large Paddle Handle

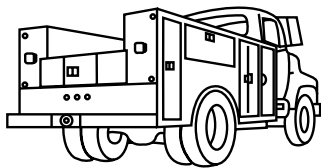
PKG QTY. 1



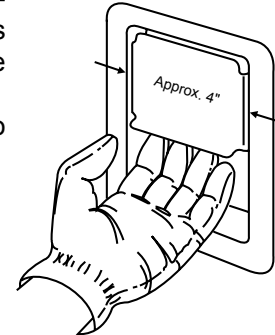
Spenaaur No. **099-151** *Key-Locking*
(Mfr. #4960)

Zinc Plated

Spenaaur No. **099-152** *Non Key-Locking*
(Mfr. #4961)

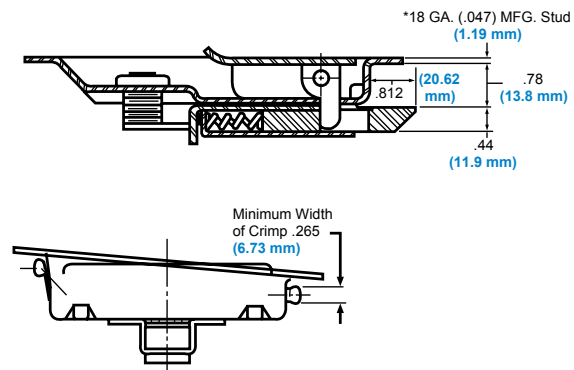
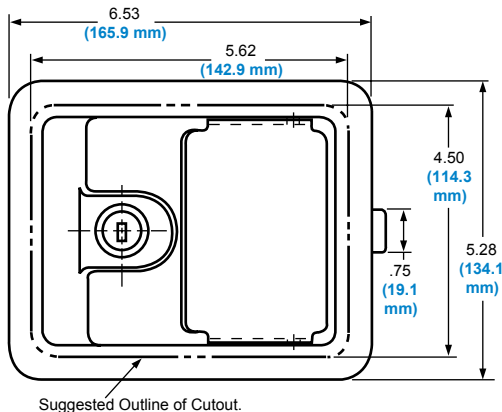


A heavy-duty slam-action latch for single point engagement. The largest in the family of slam-action latches, this model is especially designed with more generous space under the paddle handle. Under adverse weather conditions, a gloved hand can easily lift the paddle handle to open the latch. The paddle handle and trigger are welded construction for heavy-duty use. This key-locking version uses key cylinder 099-041 (Mfr. #4901-51).



WARNING

This product must not be used for personal restraint applications.



NOTE

Drawings and dimensions on this page are for reference only. For manufacturing, production, or tooling purposes, obtain current engineering print from SPAENAUR

Inch

Pouce



Back To Back Paddle Latches

Loquets à palette dos à dos

Back to Back Paddle Lock System

SPAENAUR No. 099-045 (Mfr. #1-5974U)

Steel, Black Textured Powder Coat

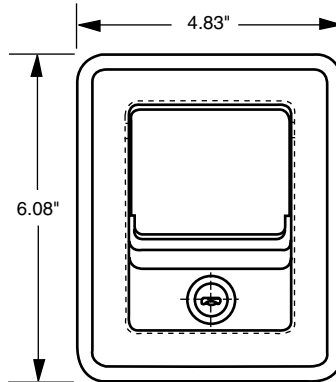
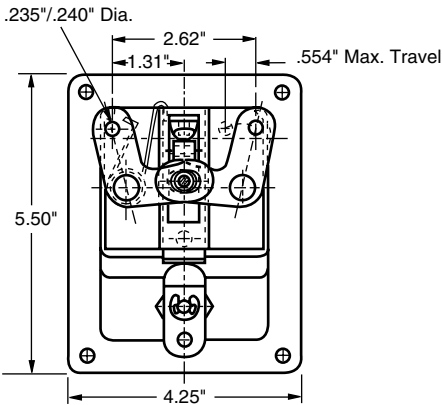
Features:

- The direct connected assembly eliminates the need for rod or cable linkage between the paddles.
- Fits between as little as a 2.65" space.
- System can be locked or unlocked from either the outside or inside.
- Tamper-resistant blind mounting on outside.

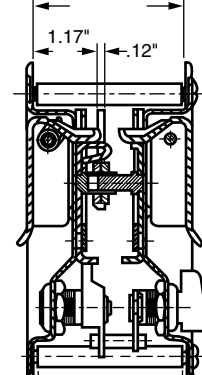


PKG QTY. 1

Back side view of Outside Handle Assembly (Less Molded Gasket)

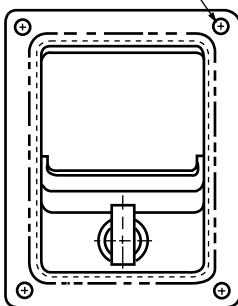


2.65" Min. Door Thickness
2.88" Max. Door Thickness

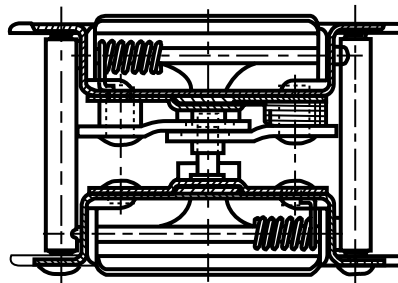


Outside Panel Thickness 2.59" Inside Panel Thickness

.265" Dia. 4 Holes



View of Inside Handle Assembly (Less Gasket).



Handle Includes:

- Outside Handle Assembly
- Inside Handle Assembly
- 2 Gaskets
- 4 Stand-offs with 1/4-20 tap.
- 4 Machine Screws