

Draw Latches / Latch & Lock Parts

Loquets à levier / Pièces pour loquets et verrous

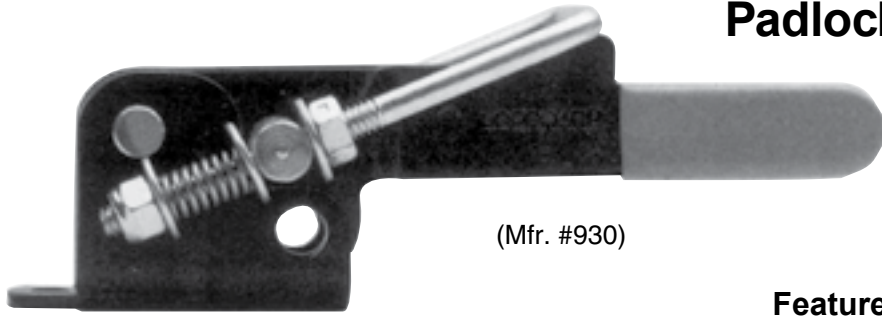


Inch
Pouce

Padlockable Draw Latch

**SPAENAUR No.
099-241**

PKG QTY. 1



(Mfr. #930)

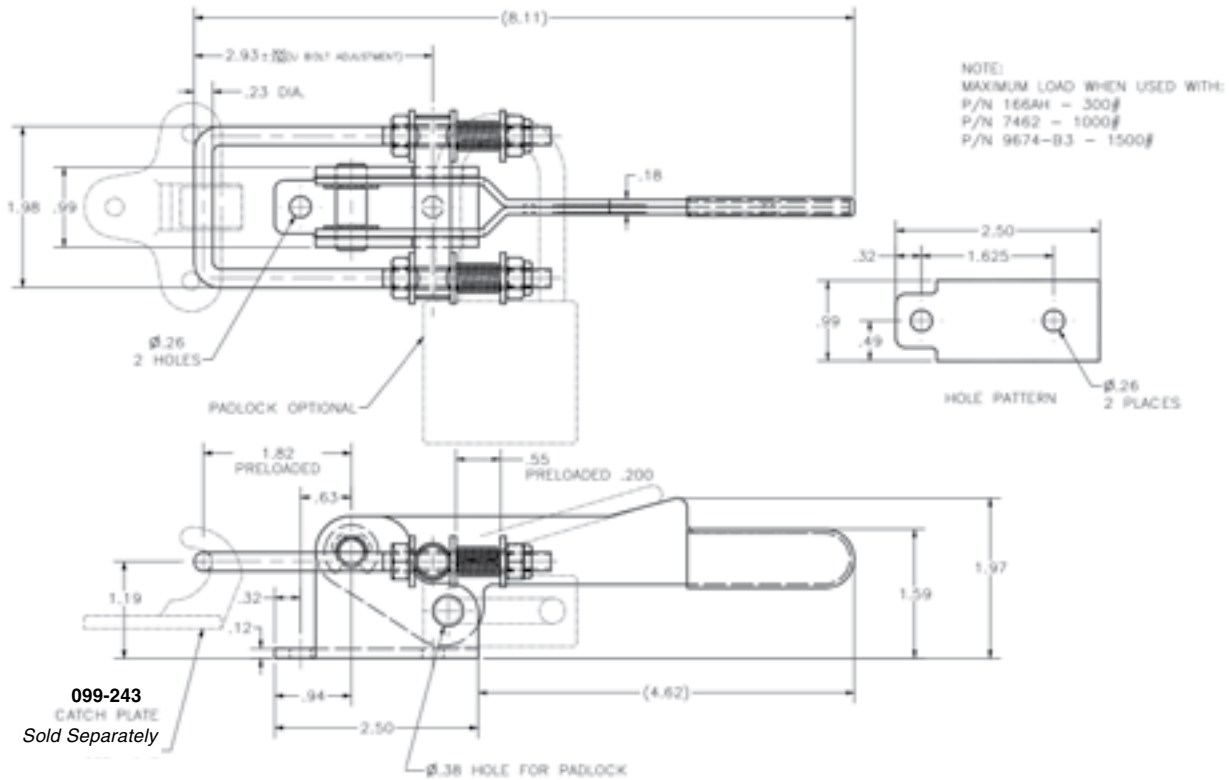
The Padlockable Draw Latch can be used in a wide variety of applications. Rated up to **1500 LBS.** maximum pull.

Finish

Body parts: Steel - "E" coat (Black powder coat).
Fasteners, loop and thumb release: Zinc Plated.

Features:

- Up to 7/16" U-bolt adjustment.
- Padlock eye provides for up to a 3/8" diameter padlock shackle.
- Self-adjusting, stainless steel tension springs help maintain balanced load forces.

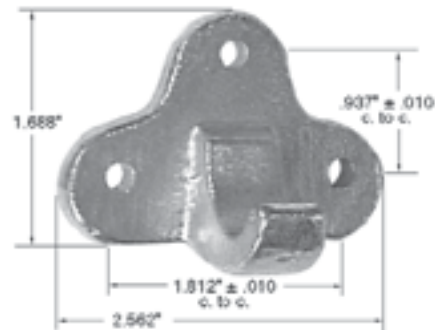


Catch Plate

**SPAENAUR No.
099-243**
PKG QTY. 1

For use with
Padlockable Draw
Latch 099-241.

Cast Malleable Iron,
Zinc Plated
Order Separately



Inch

Draw Latches / Latch & Lock Parts

Pouce

Loquets à levier / Pièces pour loquets et verrous



Extra Heavy Duty Draw Latch

Patent Pending

The Extra Heavy Duty Draw Latch can be used in a wide variety of applications. It offers strength and durability, and is rated at **8000 LBS.** maximum pull.

Features:

- Up to 1" loop length adjustment.
- Safety thumb release helps ensure full locked engagement; provides a padlock eye for up to a 3/8" diameter padlock shackle.
- Stainless steel torsion spring automatically retracts the loop to prevent damage when not in use.

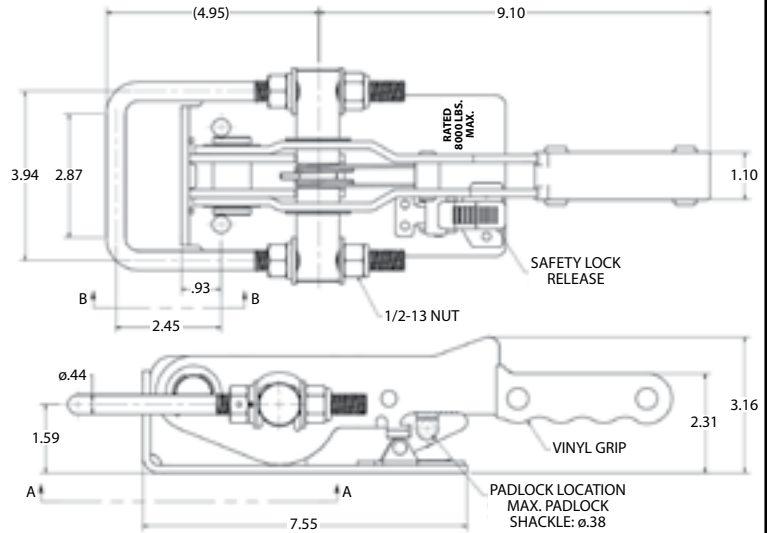
Finish

Body parts: Steel - "E" coat (Black powder coat). Fasteners, loop and thumb release: Zinc Plated. Weight: 6.9 lbs. each.



PKG QTY. 1

SPAENAUR No. **099-230**
(Mfr. #960)



This draw latch combines panel take-up capabilities with the added security of a key-locking tumbler mechanism!

Holds lids, hoods and doors secure from vibration or rattle and helps to keep out dust.

To latch, simply position the wire bale over the hook and press down on the lever.

The key-locking feature can then be used to assure security without the need of any other locking device. However, a seal hole is provided if evidence of tampering is desired.

Material:

Latch assembly and hook are zinc plated carbon steel. Key cylinder body is a zinc die casting.

Furnished complete with two keys and hook. Fasteners must be supplied by customer.

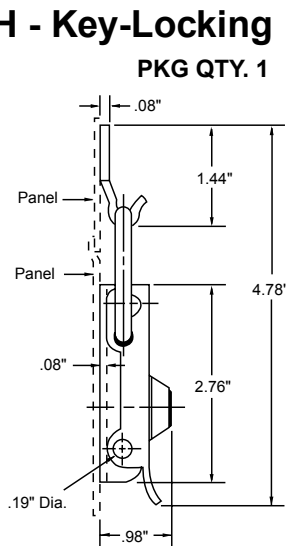
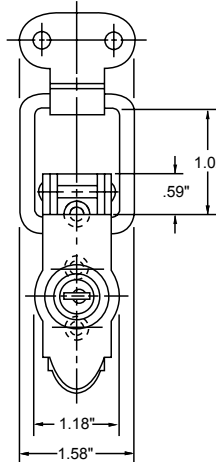
Recommended fasteners:

- #10 flat head screws for latch.
- #10 round or pan head screws for hook.

DRAW LATCH - Key-Locking

Spaenaur No. **099-159**

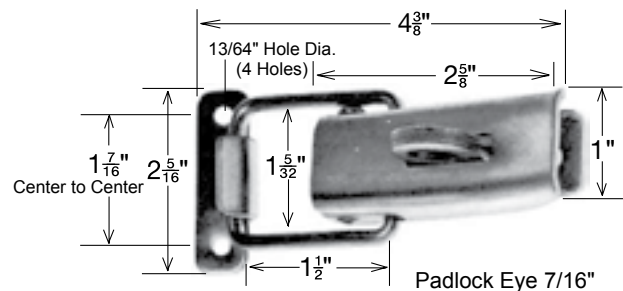
PKG QTY. 1



Throwover Catch with Striker Plate

Spaenaur No. **096-022**
PKG QTY. 1

Catch with striker plate and loop for padlock fitting. Zinc Plated.



CATALOG 14

SPAENAUR

Inch

Pouce



Draw Latches / Latch & Lock Parts

Loquets à levier / Pièces pour loquets et verrous

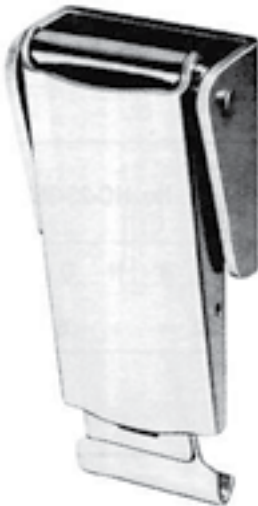
Draw Latches • Overcentre • Adjustable

PKG QTY. 1

Carbon Steel and Stainless Steel



Latch and Keeper must be ordered separately.



Spaenaur No.

099-160 Draw Latch, Steel - Zinc Plated (Mfr. #750)

099-161 Keeper, Steel - Zinc Plated (Mfr. #750-10)

099-162 Draw Latch, Stainless Steel (Mfr. #750SS)

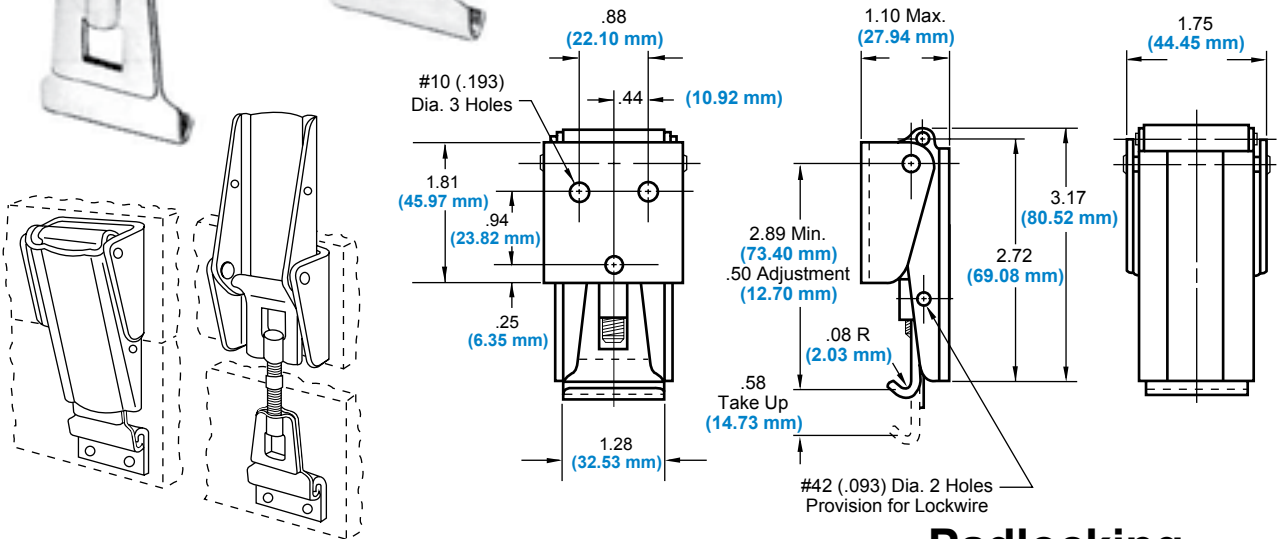
099-163 Keeper, Stainless Steel (Mfr. #750SS-10)

Latches listed below have padlocking eye feature.

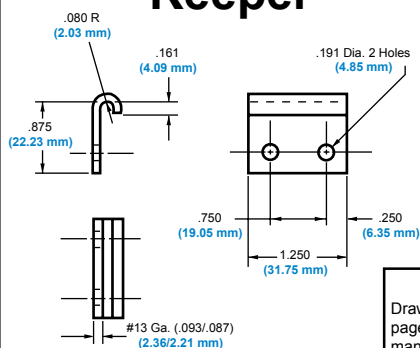
099-165 Draw Latch, Steel - Zinc Plated (Mfr. #750P)

099-166 Draw Latch, Stainless Steel (Mfr. #750SSP)

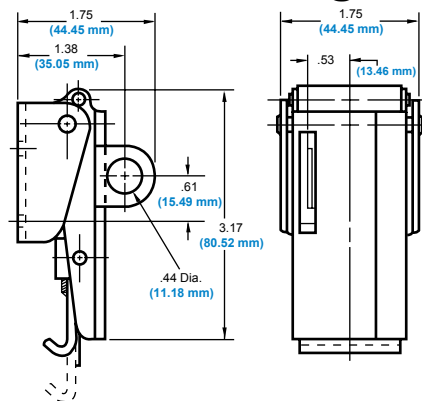
- Ideal for use on heavy gasketed lids.
- 1/2" adjustment allows for variations in alignment.
- 1/2" take-up capability.
- Slim profile.
- Provision for use of a lockwire to prevent inadvertent opening or tampering.



Keeper



Padlocking



NOTE
Drawings and dimensions on this page are for reference only. For manufacturing production or tooling purposes, obtain current engineering print from SPAENAUR.

CATALOG 14 SPAENAUR