

Latch & Lock Parts / Door Hold-Backs

Inch

Pièces pour loquets et verrous / retenues de porte

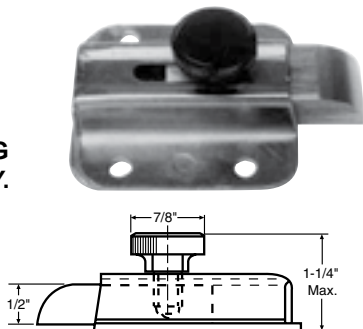
Pouce

Inside Slam Latch

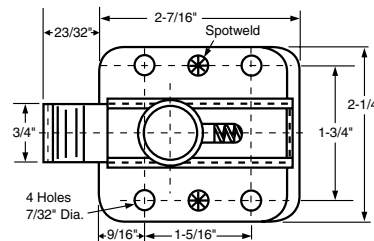
SPAENAUR No. 099-183

STEEL
Yellow Zinc Dichromate Finish
Plastic Pull-Knob Release

PKG QTY. 1



Shown with knob and "nose-down" bolt.



DOOR HOLDER

SPAENAUR No. 099-109

Sturdy stainless steel hook and keeper. When mounted, holds door open firmly clamped to the side.



PKG QTY. 1

- 1-3/4" overall width of hook
- 3" overall length hook and keeper back plate
- 1 x 2-5/16" centres of mounting holes on hook and keeper
- 5/16" overall height of hook assembly
- 23/32" overall height of keeper assembly
- 3-3/4" length of hook
- 1/8" thickness of mounting flanges
- 13/64" diameter of mounting holes
- 7 oz. weight each

Stainless Steel
Prepolished



EBERHARD
HARDWARE MANUFACTURING LTD.

POSITIVE DOOR HOLDER

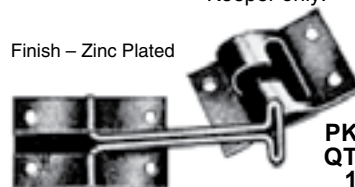
SPAENAUR No. D-3196K
Keeper only.

SPAENAUR No. D-3196

(Mfr. No. 5600U)
Hook and Keeper

For holding doors open against side of body. Hook manually engaged and disengaged.

Finish - Zinc Plated



PKG QTY. 1

- 1-3/4" overall width of hook
- 3" overall length hook and keeper back plate
- 1 x 2-5/16" centres of mounting holes on hook and keeper
- 3/8" overall height of hook assembly

- 3/4" overall height of keeper assembly
- 4" length of hook
- 1/8" thickness of mounting flanges
- 13/64" diameter of mounting holes
- 5 oz. weight each



EBERHARD
HARDWARE MANUFACTURING LTD.

HEAVY DUTY POSITIVE DOOR HOLDER

SPAENAUR No. D-4019

Zinc Plated
(Mfr. No. 5601-1/2U)
PKG QTY. 1



Specifications

- 1-3/4" width of hook and keeper mounting plate
- 3" overall length of hook and keeper mounting plate
- 1 x 2-5/16" centres of mounting holes on hook and keeper
- 9/16" overall height of hook assembly
- 3/4" overall height of keeper assembly
- 4" length of hook
- 1/8" thickness of mounting flange on female keeper
- 3/16" thickness of mounting flange on hook
- 13/64" diameter of 8 mounting holes
- 11 oz. weight each

The D-4019 Positive Door Holder was designed for heavy duty use. Its rugged steel construction incorporates a flat hook retaining spring which prevents the malleable hook from accidentally bouncing out of the female keeper.

SPAENAUR No. D-4051

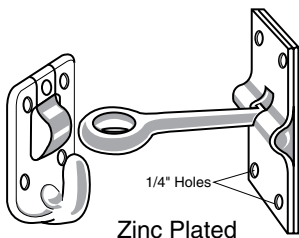
DOOR HOLDER

Has Drop-Forged Hook-and-Eye Pieces

PKG QTY. 1

Dimensions:

- 2" overall width
- 3-1/4" overall length
- 4-1/2" eye extension
- Keeper assembly: 1-3/4" overall width
- 2-1/2" overall length



Zinc Plated



EBERHARD
HARDWARE MANUFACTURING LTD.

Flexible Wire Rope DOOR HOLD BACK

The flexibility of the wire rope compensates for any misalignment between the holdback hook and the keeper.

STEEL
Zinc Plated Finish
PKG QTY. 1



SPAENAUR No.	Mfr. No.	Rope Length	Mounting holes	Particulars
099-061	5601-1/2-E1	4"	0	No retainer spring in keeper

CATALOG 14

SPAENAUR

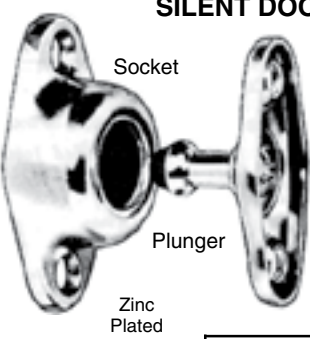
Inch

Door Hold-Backs / Gate Locks

Pouce

Retenues de porte / serrures de barrière

SILENT DOOR HOLDER



Socket
Plunger
Zinc Plated

For years the most completely dependable method of retaining light and heavy doors or hinged panels in an open position – securely, soundlessly and without the risk of finish-marring damage. Plunger is surrounded by snug-fitting Neoprene Cup in socket.

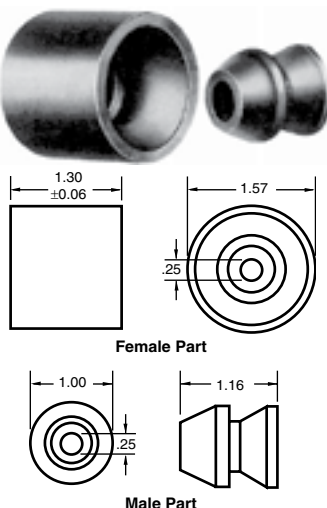
SPAENAUR No.	Plunger Length	Overall Length
M-70	1-1/4" Plunger	1-5/8"
M-74	1-3/4" Plunger	2-1/8"
M-75	2-1/4" Plunger	2-5/8"
M-76	2-3/4" Plunger	3-1/8"
M-73	Socket (Large Hole)	

Smaller hole has more holding power.

PKG QTY. 1

EBERHARD HARDWARE MANUFACTURING LTD.

Rubber Door Holder



Female Part
Male Part

099-B10-1Y (Mfr. #666)
A simple positive door holder with good shock absorbing qualities, giving near-silent operation. The rubber female portion (acting as a door buffer) has a unique internal design, which provides a positive grip on the male portion. The male portion is molded from black polypropylene. The complete unit gives positive corrosion-free performance. Furnished black.

099-B11-1C (Mfr. #777)
For production line assembly, the base of the female portion has been drilled with a 6mm tapped hole. Both 099-B10-1Y and 099-B11-1C have a 44 lb. pull-off. Colour- black.

099-B12-1N (Mfr. #776) with plain washer.

099-B13-1T (Mfr. #778) with tapped washer.

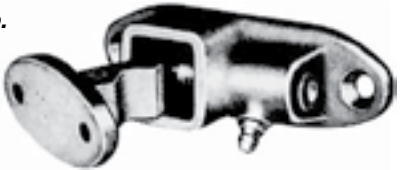
Designed for a softer, more gentle door holder of this type, a pattern with a 6-1/2 lb. pull-off has been designed under part numbers 099-B12-1N (with plainwasher) and 099-B13-1T (with 6mm tapped washer.) Male part colour- black. Female part colour- blue.

PKG QTY. 1 (Two part)

EBERHARD HARDWARE MANUFACTURING LTD.

DOOR HOLDER -
For Holding Door Against Side of Body

SPAENAUR No. 099-B03-1W



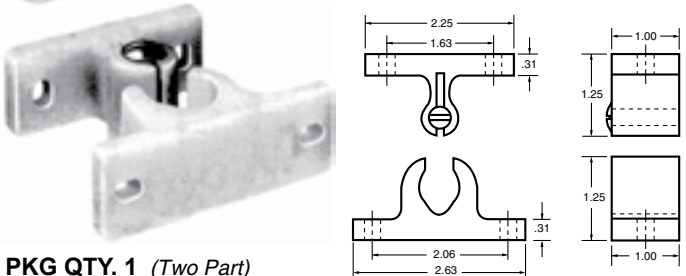
Finish - Galvanized
Equipped With Grease Fitting
Stainless Steel Plunger Spring (Mfr. #5602- ZUA- 13)

1-1/4"	overall width, case
4"	overall length, case
3-1/4"	center to center screw holes, case
1-3/16"	overall height, case
1-1/4"	overall width, hook base
1-5/8"	center to center holes, hook base
1-1/2"	projection, hook
7/32"	thickness screw flanges
7/8 lbs.	weight each

PKG QTY. 1

Adjustable • Nylon • Door Holder
was specially designed for use on all types of enclosures using hinged or sliding doors. The unique design includes a nylon (nickel plated) screw which allows delicate adjustment for the force required to hold even the heaviest door or panel.

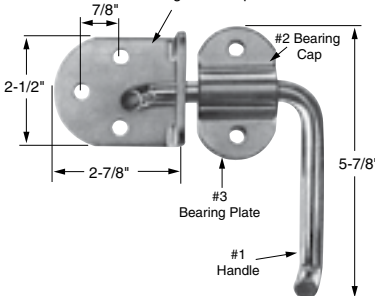
SPAENAUR No. 099-214 (Mfr. # 555)



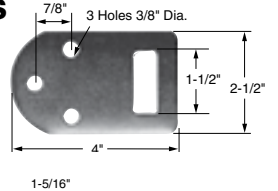
PKG QTY. 1 (Two Part)

WESTERN GATE LOCKS - sold in sets or individual pieces
ALL STEEL - Cadmium or Zinc Finish

SPAENAUR No. 099-271 #4 Regular side plate



SPAENAUR No. 099-272 #5 Regular Corner Plate



SPAENAUR No. 099-264 #1 Handle
099-268 #2 Bearing Cap
099-269 #3 Bearing Plate
099-270 #4 Regular Side Plate
099-271 #5 Regular Corner Plate

NOTE: All mounting holes for 5/16" bolts.
All above SPAENAUR No's.

PKG QTY. 1

These popular locks operate smoothly, engage securely, and are ruggedly constructed for long service. Available in three combinations, as illustrated, OR parts sold separately.

More Door Hold Backs on Pages L64-65

CATALOG 14 SPAENAUR

Inch

Hasp / Handle & Spring Latch

Pouce

Morillon / loquets à poignée et ressort

EBERHARD
HARDWARE MANUFACTURING LTD.

HASP LATCH


Padlock Type **SPAENAUR No. D-4040**
(Mfr. #4853)

For doors up to 3/8" thick.
Staple has stud for riveting.

1-7/16" length inside latch
4-1/4" length hasp
9 oz. weight each

Plain Finish

PKG QTY. 1



EBERHARD
HARDWARE MANUFACTURING LTD.

Malleable Iron
LOCK KEY


SPAENAUR No. D-3228-ZP

Zinc Plated

Dimensions:

2-1/2" length handle
3-21/32" overall length
1-1/8" length square
1/4" to 3/8" tapered square
3 oz. weight each

PKG QTY. 1




Box-Rod
HANDLE NUTS

Malleable Iron — Self Coloured

PKG QTY. 10

SPAENAUR No.	Thread Size	Length	Width of Flange
226-000	1/4" - 20	3-3/4"	15/16"
226-001	5/16" - 18	3-3/4"	15/16"
226-002	3/8" - 16	4-1/4"	15/16"
226-003	7/16" - 14	4-1/4"	15/16"
226-004	1/2" - 13	4-1/2"	1-1/4"
226-005	5/8" - 11	4-3/4"	1-1/4"
226-006	3/4" - 10	4-3/4"	1-1/4"



EBERHARD
HARDWARE MANUFACTURING LTD.

DOOR HOLD-BACK AND HANDLE

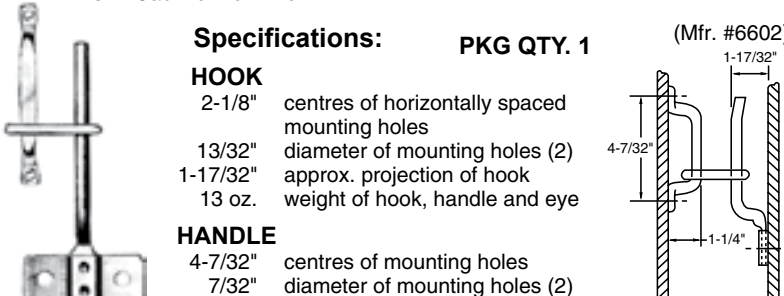
Designed for truck, trailer, and containing applications, but can be used to hold any large, swing-type door securely in open position. Hook generally mounted on permanent surface, handle and eye mounted on swinging door.

SPAENAUR No. 099-277
Complete Set Hook, Handle & Eye
Finish - Cadmium or Zinc

Specifications: **PKG QTY. 1** (Mfr. #6602)

HOOK
2-1/8" centres of horizontally spaced mounting holes
13/32" diameter of mounting holes (2)
1-17/32" approx. projection of hook
13 oz. weight of hook, handle and eye

HANDLE
4-7/32" centres of mounting holes
7/32" diameter of mounting holes (2)



EBERHARD
HARDWARE MANUFACTURING LTD.

SPRING LATCH (Plain Finish)

(Mfr. # 5697)

Spaenaur No.	Width	Length of Spring	Weight
099-283	3/4"	8-7/8"	5 oz.
099-B08-1Y Zinc Plated	3/4"	8-7/8"	4 oz.



EBERHARD
HARDWARE MANUFACTURING LTD.

HEAVY-DUTY LATCH

Cast Iron - Plain or Zinc Plated (our option)

A substantial latch for heavy-duty use on doors, end gates, latches, etc. Simple to attach.

SPAENAUR No. D-3224R (Right)
SPAENAUR No. D-3224L (Left)
(Mfr. #5809)

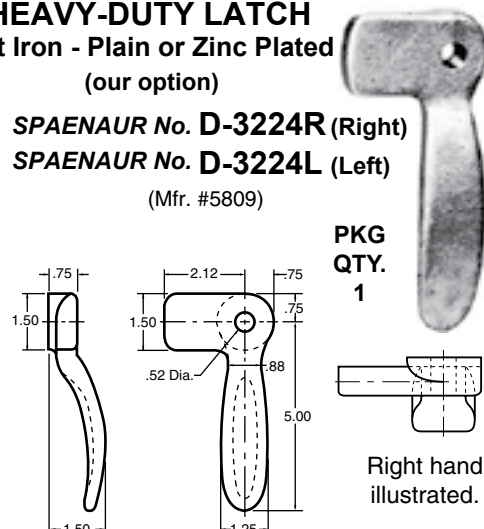
Dimensions:

5" c. to end of handle
2-1/8" length of lock tongue
1-1/2" dia. pivot boss
3/4" thick pivot boss
33/64" dia. hole for 1/2" dia. pivot bolt
1-1/2" total projection
1-1/4 lb. weight each


Specify right or left-hand when ordering.

PKG QTY. 1

Right hand illustrated.



Use on simple hinged panels where ready access, minimum fastening and speedy action are required.



PKG QTY. 1

CATALOG 14 SPAENAUR