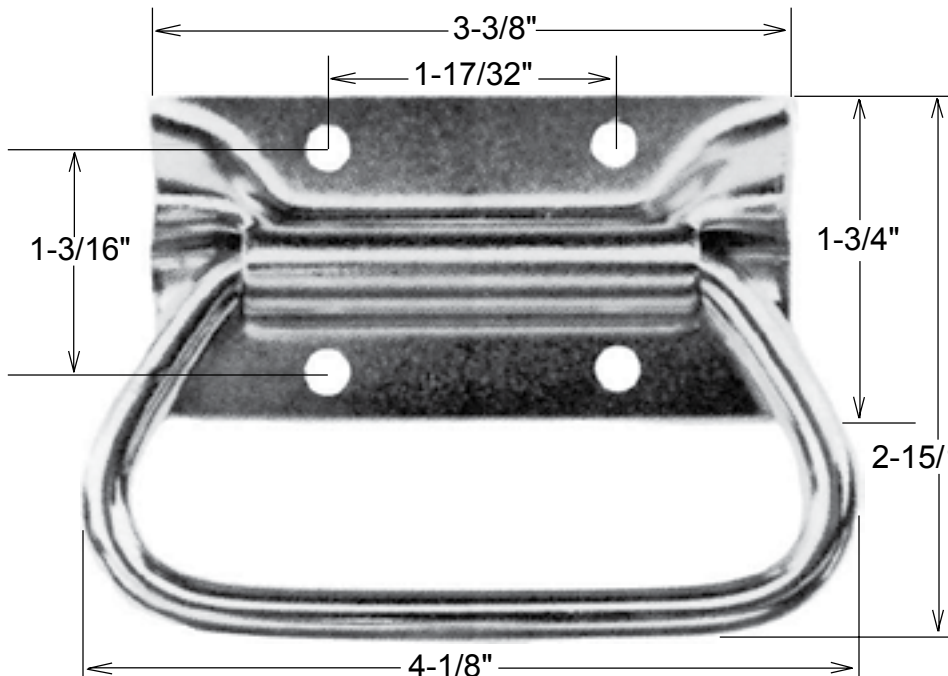


Drop Handles

Inch

Poignées de transport

Pouce



DROP HANDLES
 16 gauge steel base
 5/16" dia. ring wire

Spenaaur No. 099-139
 Plain Finish
 Weld-on Style (no holes)

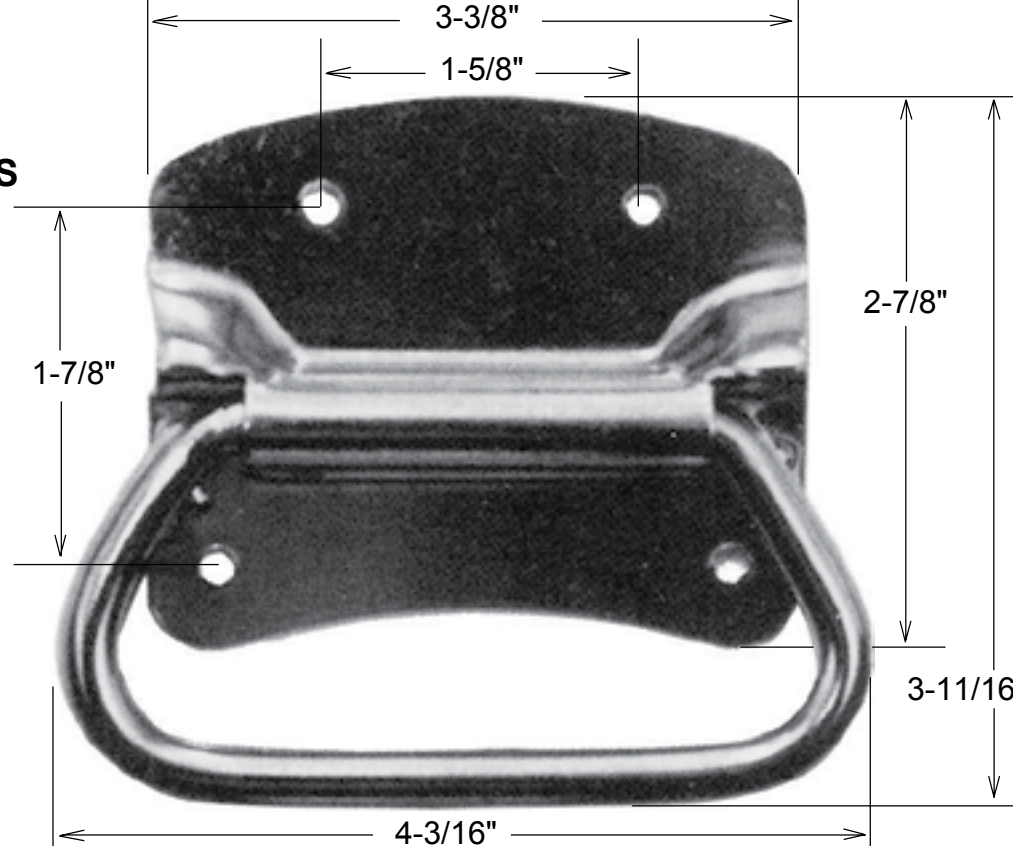
Spenaaur No. 099-140
 Zinc Plated
 4 holes - 3/16" dia.
 For screw or rivet attachment (illustrated)

PKG QTY. 2

OPEN 90° TO STOP.

Handles on this page illustrated approximately full size.

L



DROP HANDLES
 16 gauge steel base
 5/16" dia. ring wire

Spenaaur No. 099-141
 Plain Finish
 Weld-on Style (no holes)

Spenaaur No. 099-142
 Nickel Plated
 4 holes - .249" dia.
 For screw or rivet attachment (illustrated)

PKG QTY. 2

SPAENAUR CATALOG 14

Multi-Purpose Padlock Type Drop Handles

Poignées de transport de style à cadenas multifonctions



Inch

Pouce

PADLOCK TYPE DROP HANDLES

Malleable Drop Handle for Padlock

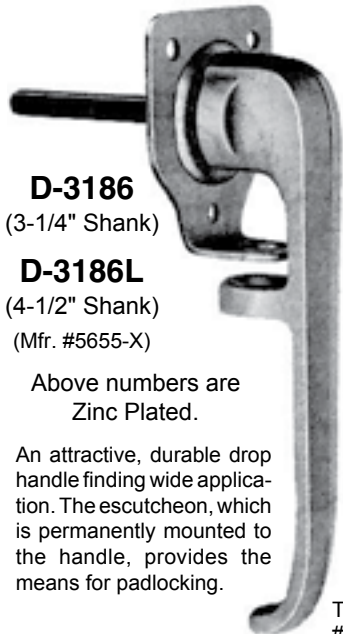
MEDIUM DUTY

Stamped Steel Drop Handle for Padlock

PKG QTY. 1

D-3220

(Mfr. #5624-52)



D-3186

(3-1/4" Shank)

D-3186L

(4-1/2" Shank)

(Mfr. #5655-X)

Above numbers are Zinc Plated.

An attractive, durable drop handle finding wide application. The escutcheon, which is permanently mounted to the handle, provides the means for padlocking.

PKG QTY. 1

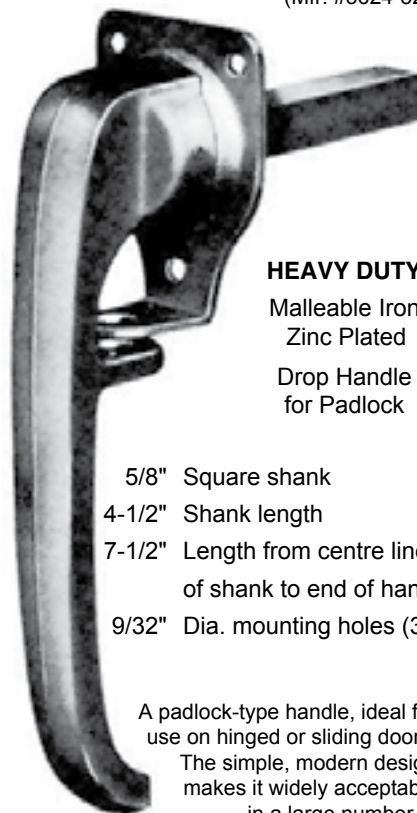
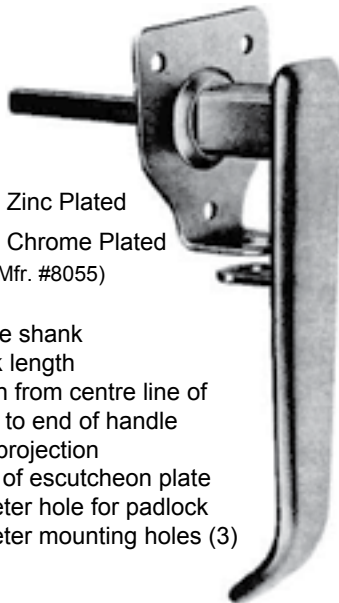
099-048 Zinc Plated

099-049 Chrome Plated

(Mfr. #8055)

- 5/16" Square shank
- 3-1/4" Shank length
- 6" Length from centre line of shank to end of handle
- 1-3/4" Total projection
- 2-1/4" Width of escutcheon plate
- 1/2" Diameter hole for padlock
- 7/32" Diameter mounting holes (3)

The above all-steel handles are similar to the #D-3186, except the stamped steel handle has simpler lines.



HEAVY DUTY

Malleable Iron
Zinc Plated
Drop Handle for Padlock

- 5/8" Square shank
- 4-1/2" Shank length
- 7-1/2" Length from centre line of shank to end of handle
- 9/32" Dia. mounting holes (3)

A padlock-type handle, ideal for use on hinged or sliding doors. The simple, modern design makes it widely acceptable in a large number of applications. The flush escutcheon plate is mounted to the door or panel face. The 5/8" square shank is permanently affixed to the malleable handle by a 1/4" diameter chrome-vanadium steel Groov-Pin.

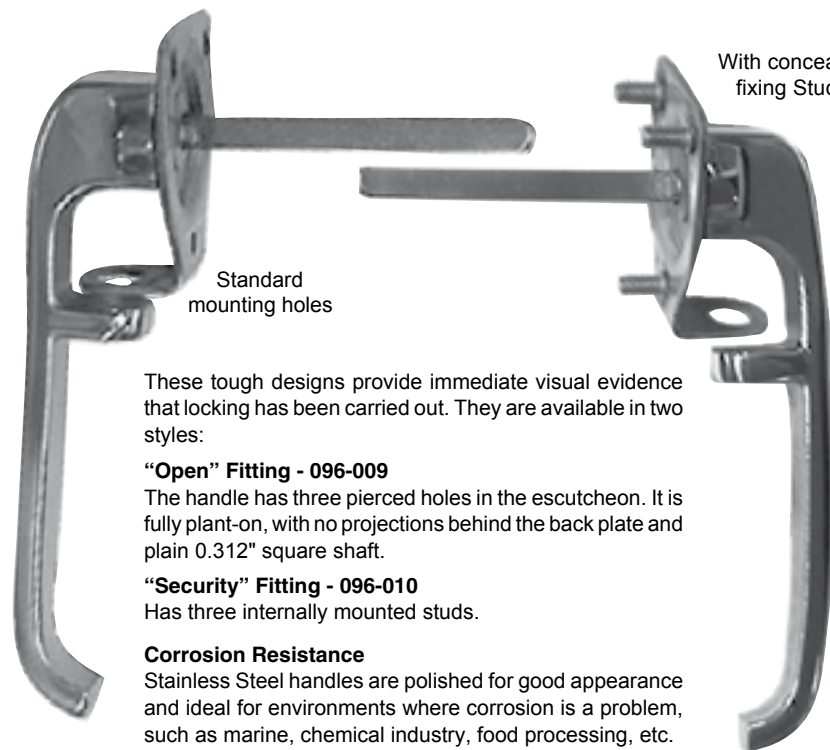
Padlock Handles

096-009

(Mfr. #5655-SSX-10)

096-010

(Mfr. #44-5565-SSX-10)



With concealed fixing Studs

Standard mounting holes

These tough designs provide immediate visual evidence that locking has been carried out. They are available in two styles:

"Open" Fitting - 096-009

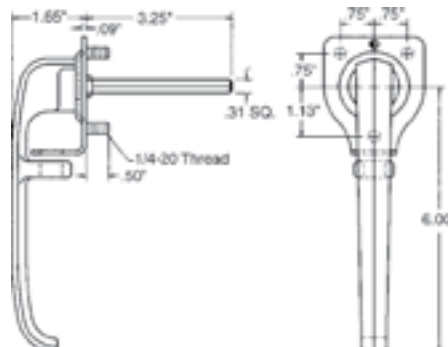
The handle has three pierced holes in the escutcheon. It is fully plant-on, with no projections behind the back plate and plain 0.312" square shaft.

"Security" Fitting - 096-010

Has three internally mounted studs.

Corrosion Resistance

Stainless Steel handles are polished for good appearance and ideal for environments where corrosion is a problem, such as marine, chemical industry, food processing, etc.



PKG QTY. 1

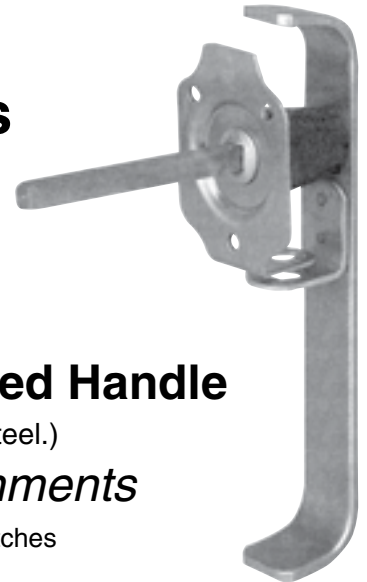
Inch

Pouce



EBERHARD
HARDWARE MANUFACTURING LTD.

Multi-Purpose Padlock Type Drop Handles
Poignées de transport de style à cadenas multifonctions



**8060 Series
Padlockable Handles**

Available in

304 STAINLESS STEEL with Brushed Handle

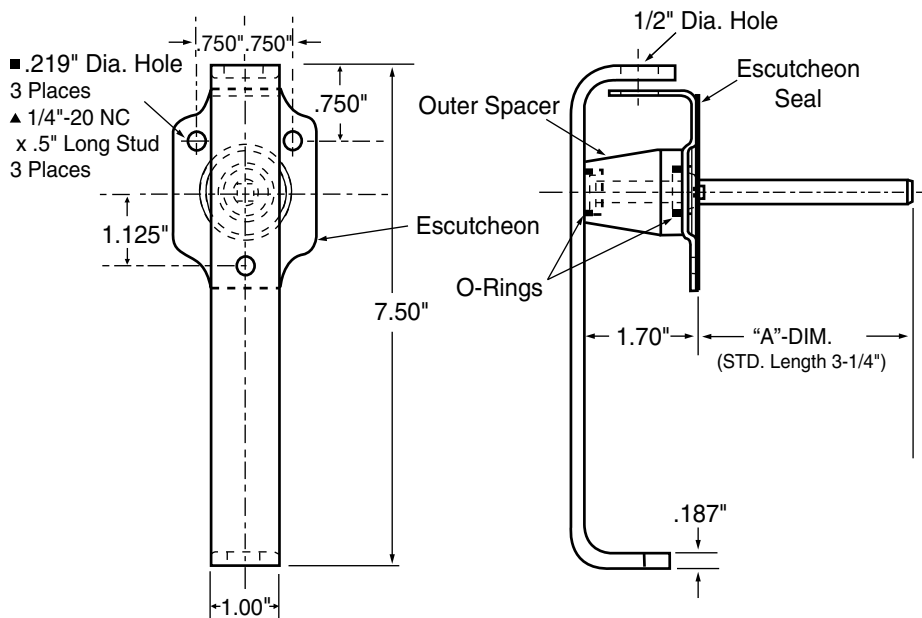
(All non-rubber components are 304 stainless steel.)

Ideal for Tough Corrosive Environments

Padlockable Handle may be used with multi-point latches which utilize a 5/16" square drive mechanism.

SPAENAUR No.	Mfr. #	Shank - "A" - DIM.		MOUNTING		PADLOCK EYE
304 STAINLESS STEEL		5/16" SQ. Standard	3/8"-16 NC Threaded (on sq. shank)	Face■	Blind▲	Above
099-803	45-8061	✓		✓		✓
099-806	57-8061		✓		✓	✓
PKG QTY. 1						

(Illustration below is Padlock Eye above handle.)



OUTER SPACER
Black Polypropylene

O-RINGS
Black Buna-N

CATALOG 14

SPAENAUR