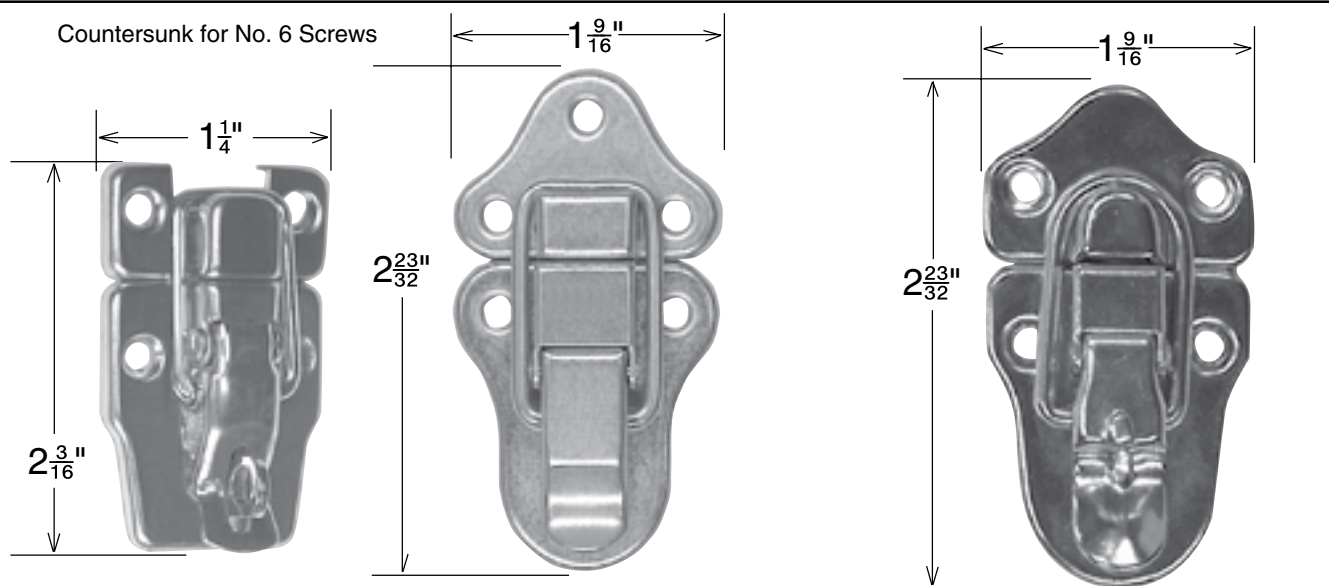


Draw Latches / Magnetic Catches

Inch

Loquets à levier / loquets aimantés

Pouce



096-644

Steel, Nickel Plated
(with Padlock Eye)
PKG QTY. 2

For Suitcases, Chests, etc.

096-617

Steel, Brass Plated
PKG QTY. 10

096-603

Steel, Nickel Plated
PKG QTY. 10

096-605

Steel, Brass Plated
PKG QTY. 1

MAGNETIC CATCH and STRIKE SETS

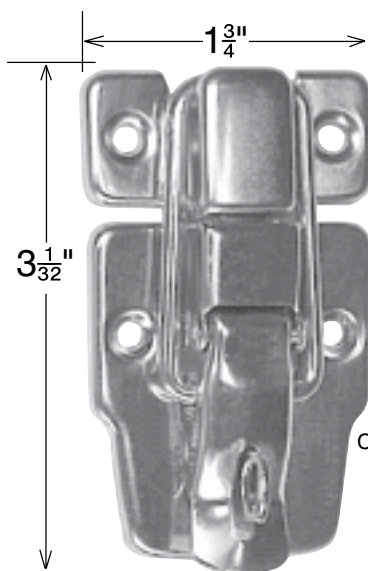
L



096-352

Aluminum Case (Plain Finish) with Steel Strike and Screws.

PKG QTY. 12 SETS

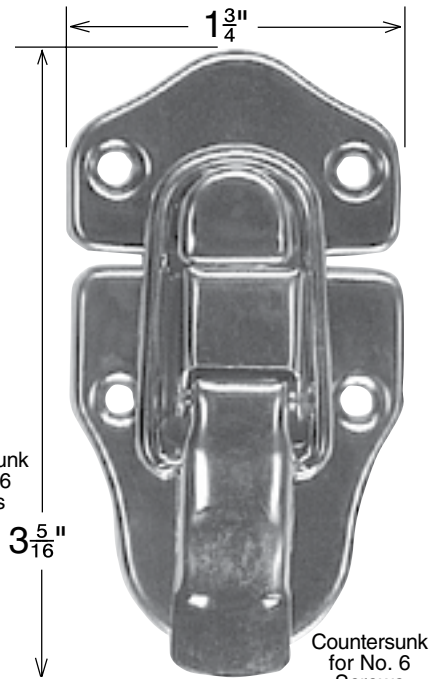


096-615

Steel, Nickel Plated
(with Padlock Eye)
PKG QTY. 10

096-643

Steel, Nickel Plated
(without Padlock Eye)
PKG QTY. 2



096-647

Steel, Brass Plated
(without Padlock Eye)

096-648

Steel, Brass Plated
(with Padlock Eye)
PKG QTY. 2

CATALOG 14

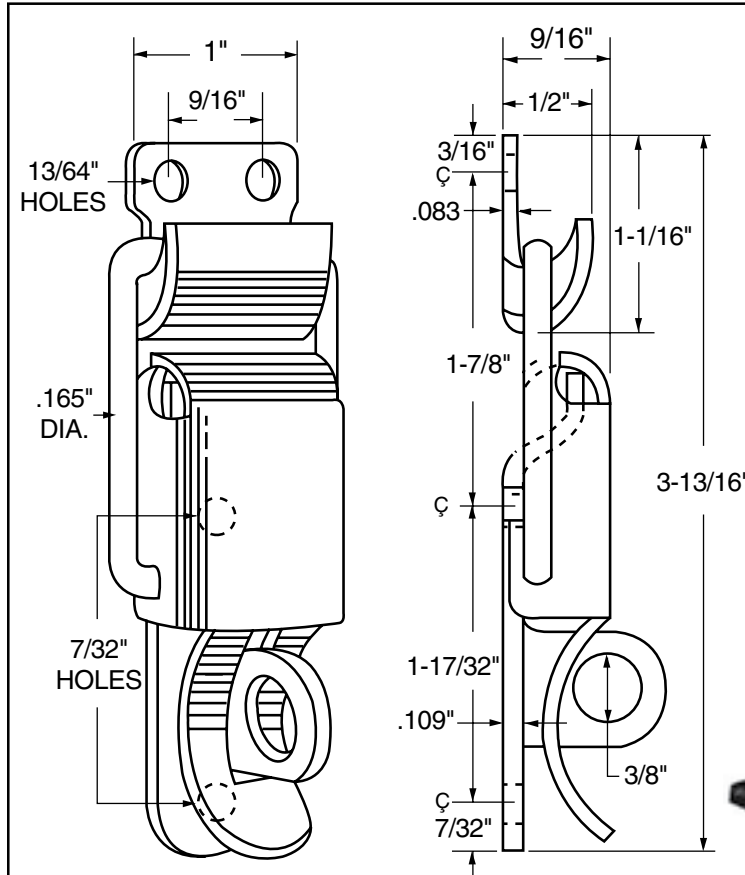
SPAENAUR

Inch and Metric

Pouce et Métrique

Draw Latches/Spring Catch Assemblies

Ensembles de loquets à levier / loquets à ressort

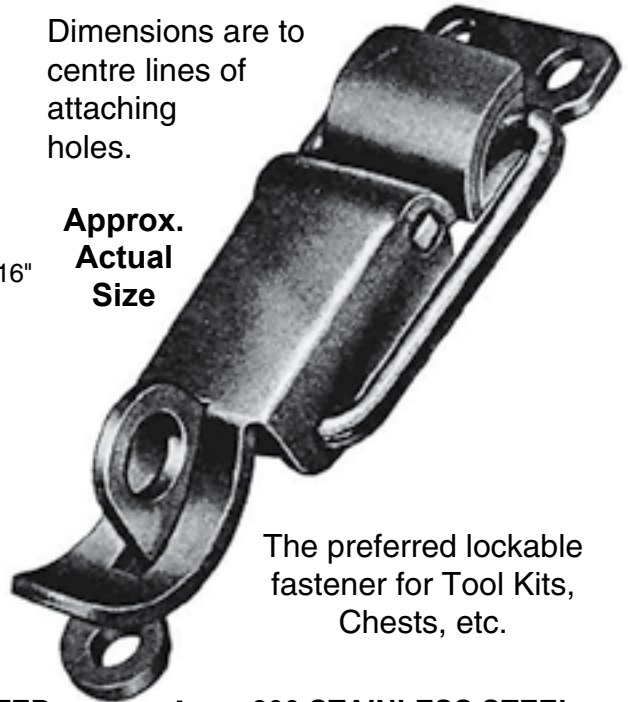


CLAMP FASTENERS with Padlock Eye

PLAIN and ZINC PLATED STEEL and 300 STAINLESS STEEL

Dimensions are to centre lines of attaching holes.

Approx. Actual Size



The preferred lockable fastener for Tool Kits, Chests, etc.

- PLAIN STEEL**
for Spot-Welding (no holes)
- 096-602** Strike and Catch
 - 096-596** Strike only
 - 096-597** Catch only

- ZINC PLATED**
with riveting holes
- 096-601** Strike and Catch
 - 096-598** Strike only
 - 096-599** Catch only

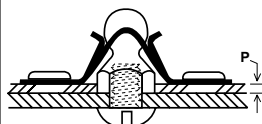
- 300 STAINLESS STEEL**
with riveting holes
- 096-H05-1Y** Strike and Catch
 - 096-H04-1P** Strike only
 - 096-808** Catch only

PKG QTY. 10

PKG QTY. 1

SPRING CATCH and STUD ASSEMBLIES

TYPICAL ASSEMBLY



P (Panel Range)
.133" - .160"

Note:
Components must be ordered separately.

(See page C92 for more information.)

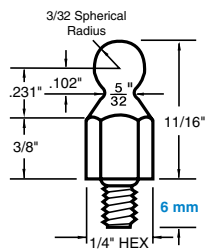
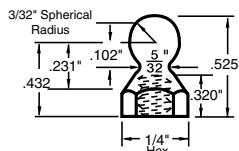
BALL STUDS - Steel, Zinc Plated.

SPAENAUR No. **C-968**

Internal Thread
6-32 NC2

SPAENAUR No. **086-689**

External Thread
METRIC Coarse
M4 x 0.70 Pitch
6 mm Long.



PKG QTY. 100

STEEL SPRING CATCHES

Catches are dimensionally identical.
Material thickness and pull-out tensions differ.

SPAENAUR No's.

086-692

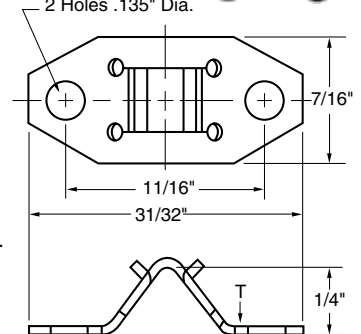
Zinc Plated
T = .017"
Pull-out Tension 8 lbs.

C-788

Phosphate Finish
T = .022"
Pull-out Tension 12 lbs.

086-690

Phosphate Finish
T = .031"
Pull-out Tension 30 lbs.



PKG QTY. 100

Draw Latches / Latch & Lock Parts

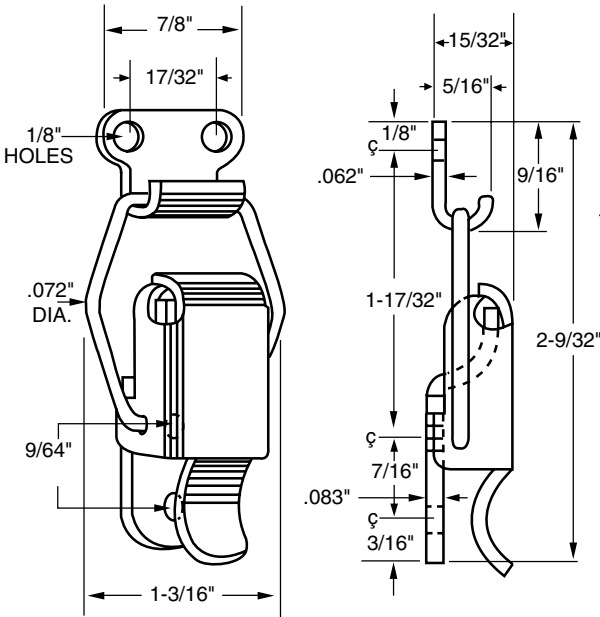
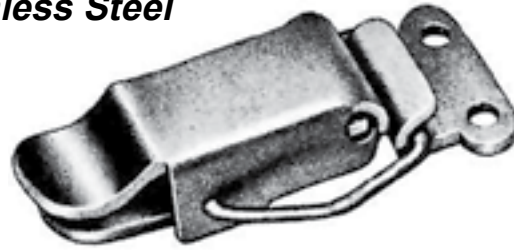
Inch

Loquets à levier / Pièces pour loquets et verrous

Pouce

HEAVY DUTY PULL-DOWN CATCH

Available in Zinc Plated and Stainless Steel



Steel, Zinc Plated

Stainless Steel

096-654 Strike and Catch

096-806

096-652 Catch only

096-802

096-653 Strike only

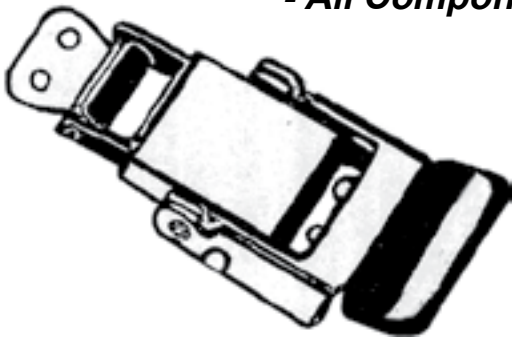
096-803

Two riveting holes in Strike and Catch.

All numbers on this page,
PKG QTY. 10

COMPRESSION SPRING DRAW-PULL CATCH

- All Components are Stainless Steel -



096-807 Strike and Catch

096-804 Catch only

096-805 Strike only

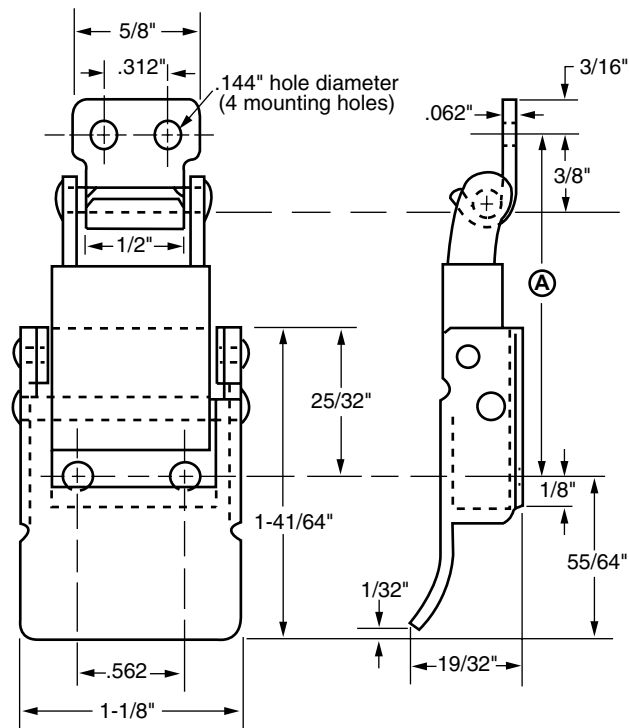
Two riveting holes in Strike and Catch.

(A) = Length center to center for mounting holes

1-13/16" apart = 30 lbs. holding tension.

1-7/8" apart = 50 lbs. holding tension.

1-15/16" apart = 70 lbs. holding tension.



CATALOG 14

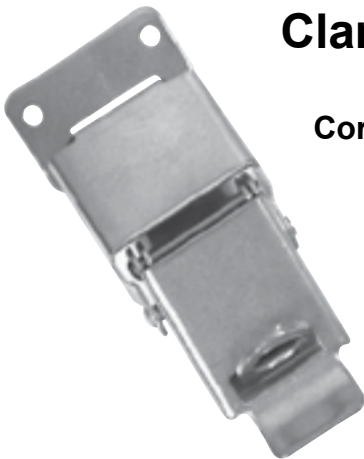
SPAENAUR

Inch

Draw Latches / Latch & Lock Parts

Pouce

Loquets à levier / Pièces pour loquets et verrous



Clamp Fastener with Padlock Eye

All Components are
Corrosion Resistant 316 STAINLESS STEEL

096-813 Strike and Catch

096-812 Strike only

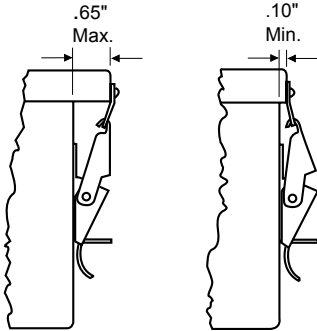
096-811 Catch only

Featuring:
Sleek appearance.
Padlockable security.
Smooth action.

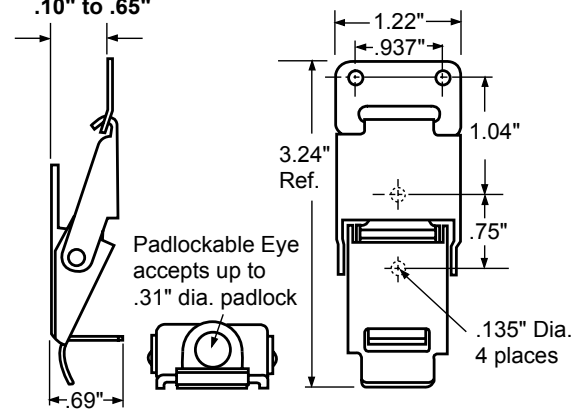
PKG QTY. 1

Designed for use with
overlapping covers from
.10" to .65"

Designed for Overlapping Covers.

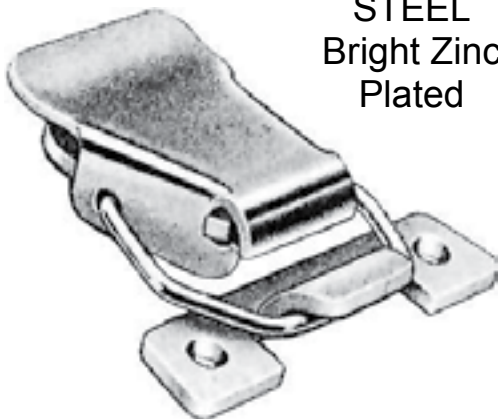


Dimensions shown are
as mounted.
For increased tension,
increase catch/strike
separation.

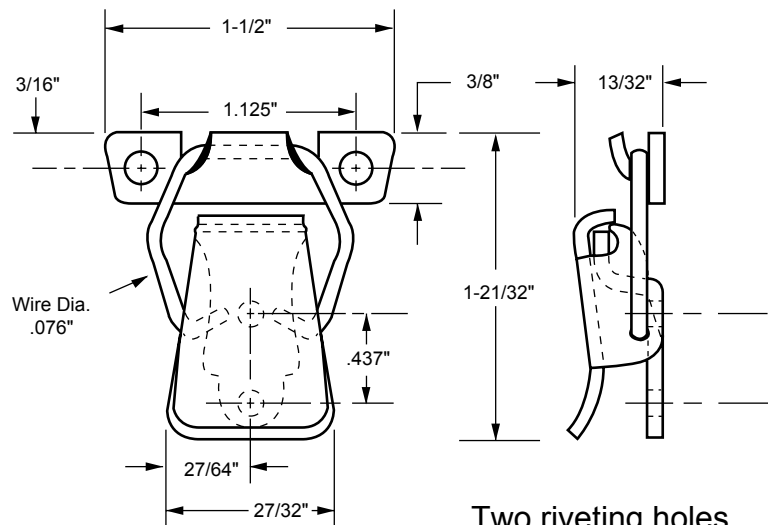


Padlockable Eye
accepts up to
.31" dia. padlock

PULL-DOWN CATCH



STEEL
Bright Zinc
Plated



PKG QTY. 1

Two riveting holes
(.143 DIA.)
in Strike and Catch.

096-651 Strike and Catch

096-H02-1X Catch only

096-649 Strike only

CATALOG 14

SPAENAUR

Draw Latches / Latch & Lock Parts

Loquets à levier / Pièces pour loquets et verrous

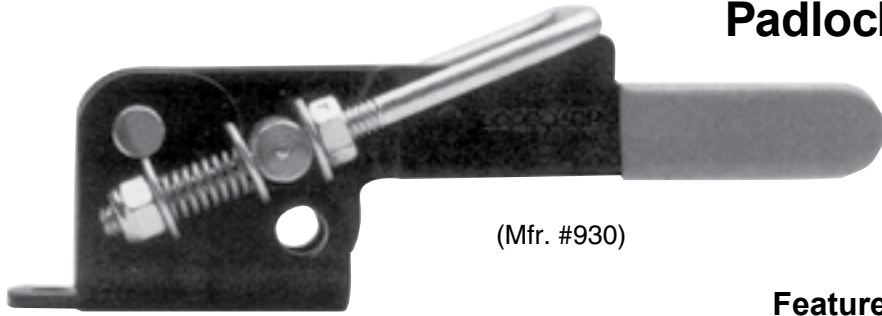


Inch
Pouce

Padlockable Draw Latch

**SPAENAUR No.
099-241**

PKG QTY. 1



(Mfr. #930)

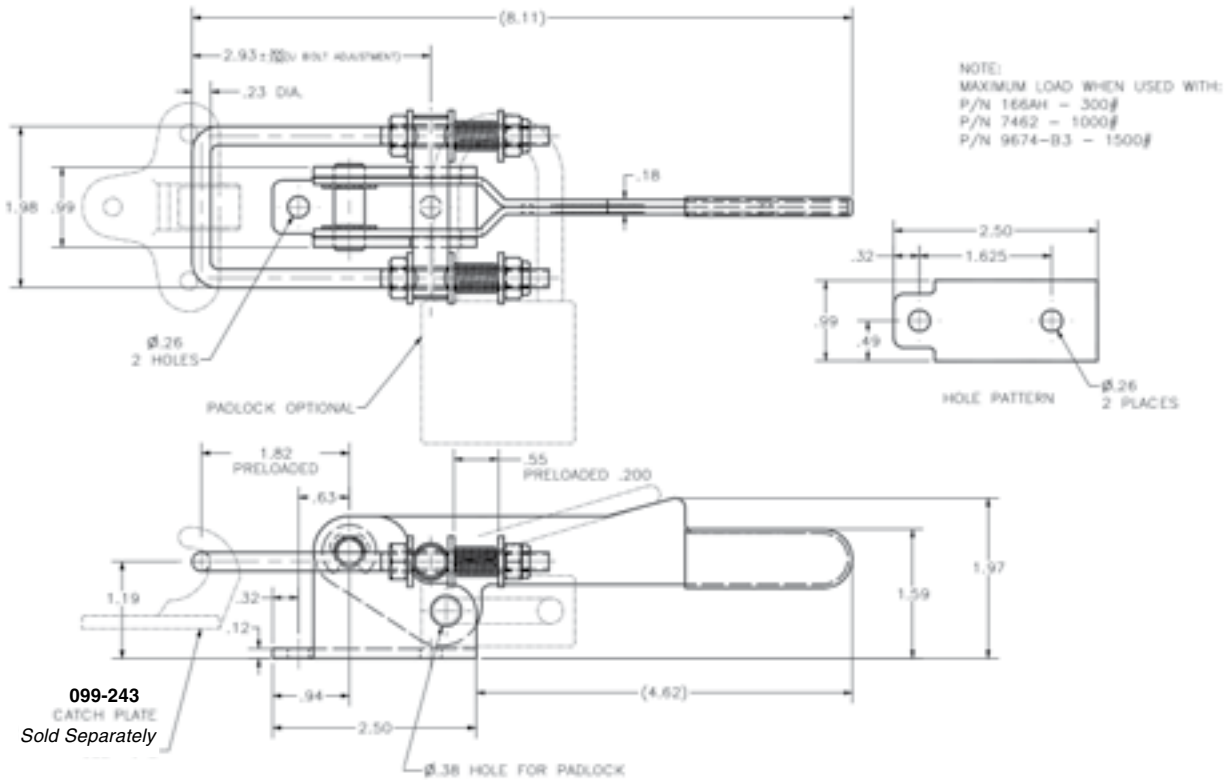
The Padlockable Draw Latch can be used in a wide variety of applications. Rated up to **1500 LBS.** maximum pull.

Finish

Body parts: Steel - "E" coat (Black powder coat).
Fasteners, loop and thumb release: Zinc Plated.

Features:

- Up to 7/16" U-bolt adjustment.
- Padlock eye provides for up to a 3/8" diameter padlock shackle.
- Self-adjusting, stainless steel tension springs help maintain balanced load forces.

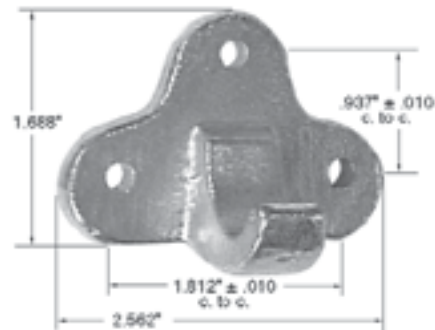


Catch Plate

**SPAENAUR No.
099-243**
PKG QTY. 1

For use with
Padlockable Draw
Latch 099-241.

Cast Malleable Iron,
Zinc Plated
Order Separately



Inch

Draw Latches / Latch & Lock Parts

Pouce

Loquets à levier / Pièces pour loquets et verrous



Extra Heavy Duty Draw Latch

Patent Pending

The Extra Heavy Duty Draw Latch can be used in a wide variety of applications. It offers strength and durability, and is rated at **8000 LBS.** maximum pull.

Features:

- Up to 1" loop length adjustment.
- Safety thumb release helps ensure full locked engagement; provides a padlock eye for up to a 3/8" diameter padlock shackle.
- Stainless steel torsion spring automatically retracts the loop to prevent damage when not in use.

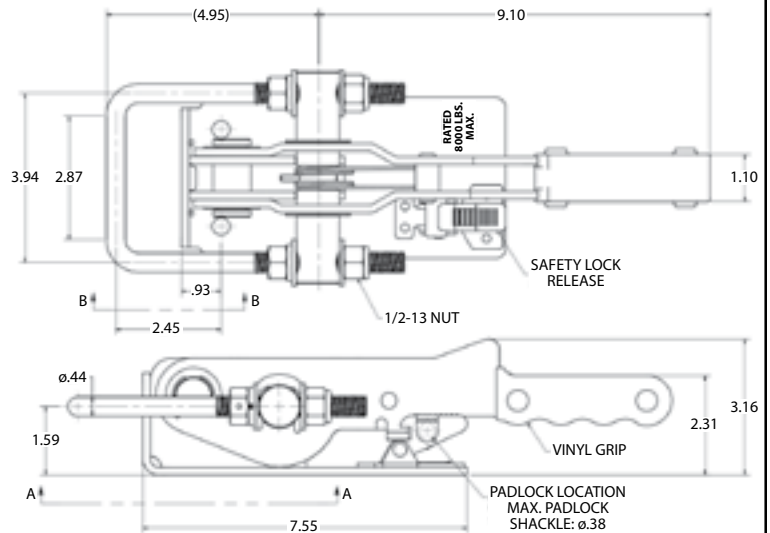
Finish

Body parts: Steel - "E" coat (Black powder coat). Fasteners, loop and thumb release: Zinc Plated. Weight: 6.9 lbs. each.



PKG QTY. 1

SPAENAUR No. **099-230**
(Mfr. #960)



This draw latch combines panel take-up capabilities with the added security of a key-locking tumbler mechanism!

Holds lids, hoods and doors secure from vibration or rattle and helps to keep out dust.

To latch, simply position the wire bale over the hook and press down on the lever.

The key-locking feature can then be used to assure security without the need of any other locking device. However, a seal hole is provided if evidence of tampering is desired.

Material:

Latch assembly and hook are zinc plated carbon steel. Key cylinder body is a zinc die casting.

Furnished complete with two keys and hook. Fasteners must be supplied by customer.

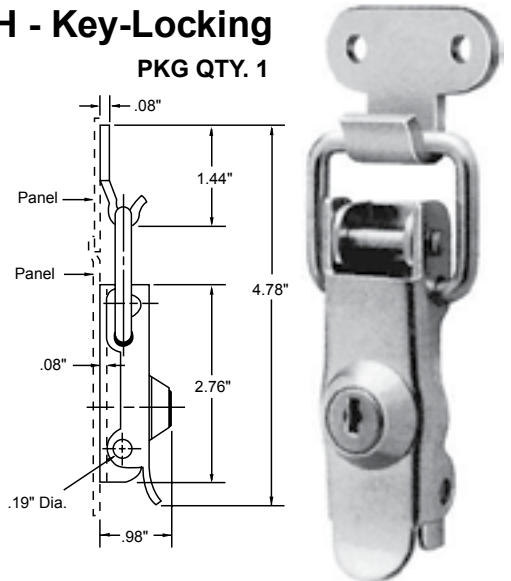
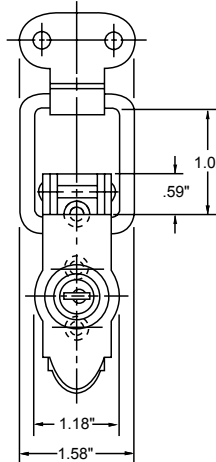
Recommended fasteners:

- #10 flat head screws for latch.
- #10 round or pan head screws for hook.

DRAW LATCH - Key-Locking

Spenaaur No. **099-159**

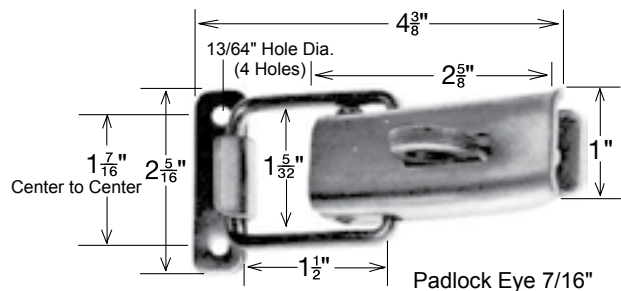
PKG QTY. 1



Throwover Catch with Striker Plate

Spenaaur No. **096-022**
PKG QTY. 1

Catch with striker plate and loop for padlock fitting. Zinc Plated.



CATALOG 14

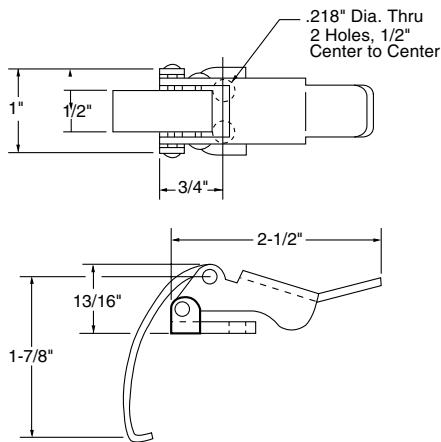
SPAENAUR

Draw Latches / Latch & Lock Parts

Inch

Loquets à levier / Pièces pour loquets et verrous

Pouce



RIGHT ANGLE CLAMP

Steel, Zinc Plated

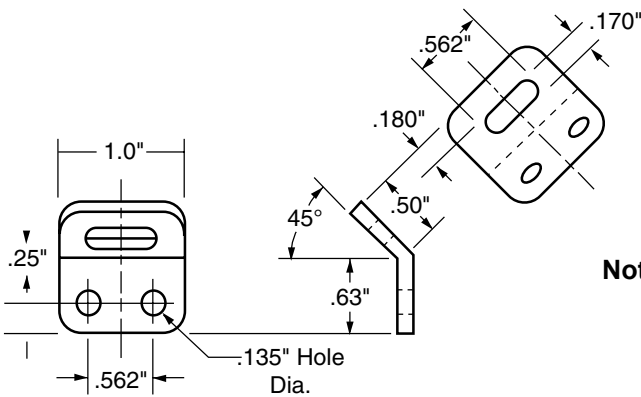
SPAENAUR No. D-2001

PKG QTY. 10



A 90° clamping device for application where a top-mounted fastener is desirable. Ideal for use where space limitations exist.

The spring exerts a closing pressure of 50 to 75 lbs. - enough to maintain closure of the container under severe usage.



STRIKES

Steel, Zinc Plated

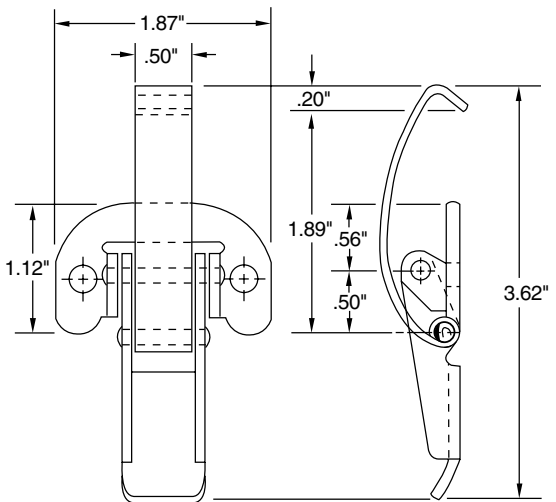
SPAENAUR No. D-2050

PKG QTY. 10

Rivet type Strike (with 2 holes) .096" thickness.
Note: Strike #D-2050 for Clamps #D-2001 shown above

Order Clamp and Strike separately.

L



.218" Hole Dia. 1-3/8" C. to C.

HOOK TYPE CLAMP

Steel, Zinc Plated

SPAENAUR No. D-3000

Heavy duty high-tensile spring exerts a closing force of 50 to 75 lbs. - enough to keep container closed, even under severe usage.



Inch

Draw Latches / Latch & Lock Parts

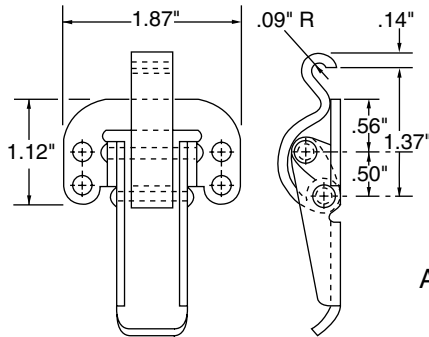
Pouce

Loquets à levier / Pièces pour loquets et verrous

HINGE TYPE CLAMP

Steel, Zinc Plated

PKG QTY. 10

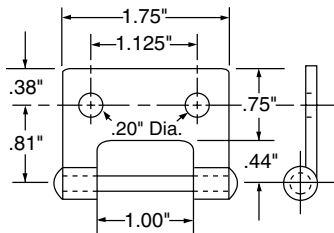


Spaenaur No.
D-2002

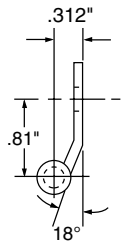


Ideal for use as a clamp-hinge combination.
Allows trouble-free opening and secure fastening.
Order Clamp and Strike separately.

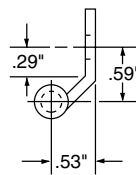
For use with D-2002 Clamp.



D-2052



D-2053



D-2054

STRIKES

Steel, Zinc Plated

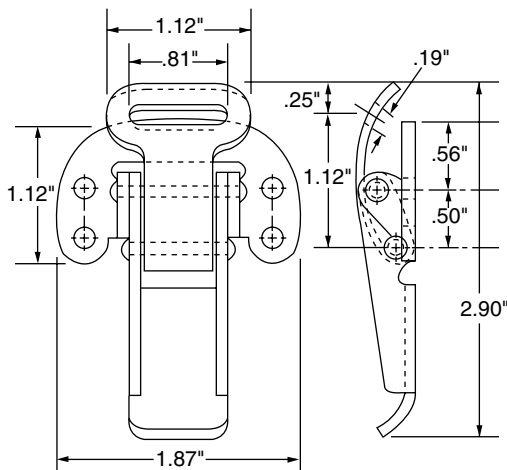
Spaenaur No.

- D-2052** Rivet type Strike (.085" thickness)
- D-2053** Rivet type Strike (.084" thickness)
- D-2054** Rivet type Strike (.084" thickness)

LOOP TYPE CLAMP

Steel, Zinc Plated

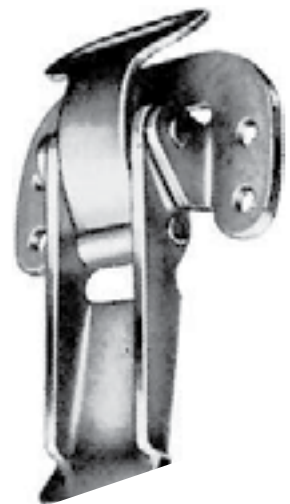
PKG QTY. 10



SPAENAUR
No.
D-2003

General purpose, resilient design, similar to other types shown above. In place of the hook-spring mechanism, a loop-spring is supplied.

A closing force of 50 to 75 lbs. is exerted by the high-tensile alloy steel spring.



For more CLAMP FASTENERS - Heavier Styles, see the following pages: L18, L21, L24 - L27

Latch & Access Hardware

Loquets et quincaillerie d'accès

southco®

We Are Proud To Represent

southco®

CONNECT · CREATE · INNOVATE

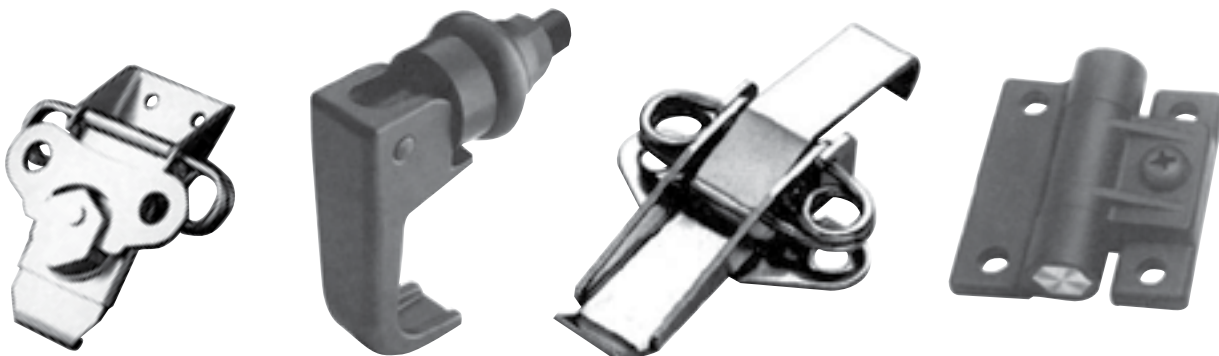
...the Leader in Providing Latching and Access Hardware Solutions.

Featured are many of the quality products
we stock for immediate shipment.

With the rapid expansion of our Southco inventory,
it is difficult to keep our catalog up to date.

If you cannot find what you are looking for
in this section (such as draw latches,
rotary latches, handles, pulls and
specialty hinges), please call.

Southco's full line including quarter-turn and captive fasteners, various
latches, catches and locks are available on special order. Please call with
your requirements for expert assistance and current information.



Southco® products are manufactured under an ISO 9001 Quality System.

Please see page L95 for Southco® products

L

Inch

Pouce



Draw Latches / Latch & Lock Parts

Loquets à levier / Pièces pour loquets et verrous

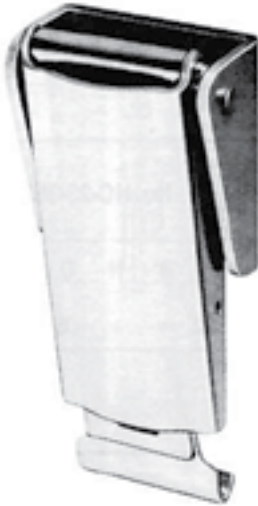
Draw Latches • Overcentre • Adjustable

PKG QTY. 1

Carbon Steel and Stainless Steel



Latch and Keeper must be ordered separately.



Spaenaur No.

099-160 Draw Latch, Steel - Zinc Plated (Mfr. #750)

099-161 Keeper, Steel - Zinc Plated (Mfr. #750-10)

099-162 Draw Latch, Stainless Steel (Mfr. #750SS)

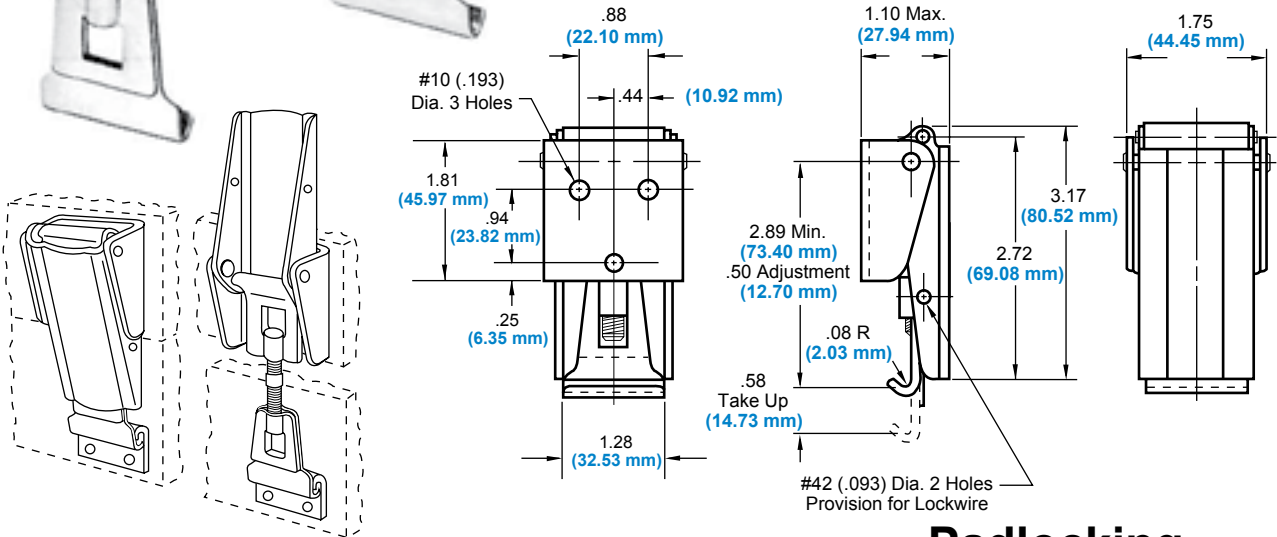
099-163 Keeper, Stainless Steel (Mfr. #750SS-10)

Latches listed below have padlocking eye feature.

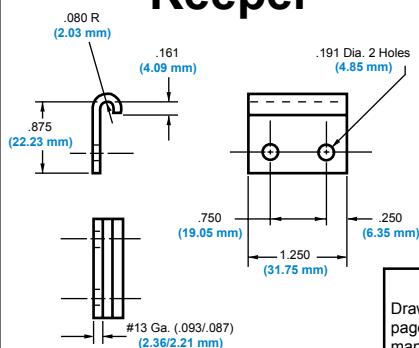
099-165 Draw Latch, Steel - Zinc Plated (Mfr. #750P)

099-166 Draw Latch, Stainless Steel (Mfr. #750SSP)

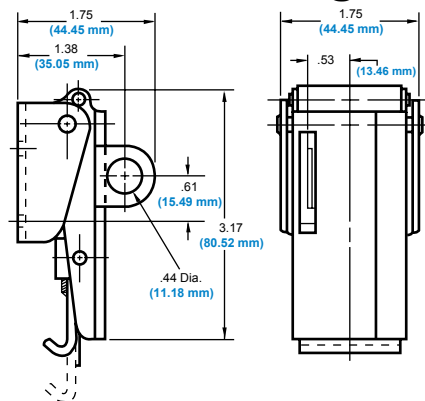
- Ideal for use on heavy gasketed lids.
- 1/2" adjustment allows for variations in alignment.
- 1/2" take-up capability.
- Slim profile.
- Provision for use of a lockwire to prevent inadvertent opening or tampering.



Keeper



Padlocking



NOTE
Drawings and dimensions on this page are for reference only. For manufacturing production or tooling purposes, obtain current engineering print from SPAENAUR.

CATALOG 14 SPAENAUR