

**Latch & Lock Parts / Door Hold-Backs**

Inch

**Pièces pour loquets et verrous / retenues de porte**

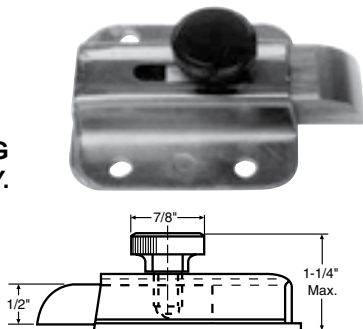
Pouce

**Inside Slam Latch**

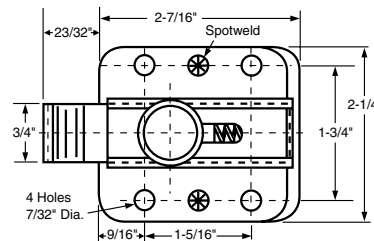
**SPAENAUR No. 099-183**

STEEL  
Yellow Zinc Dichromate Finish  
Plastic Pull-Knob Release

PKG QTY. 1



Shown with knob and "nose-down" bolt.



**DOOR HOLDER**

**SPAENAUR No. 099-109**

Sturdy stainless steel hook and keeper. When mounted, holds door open firmly clamped to the side.



PKG QTY. 1

- 1-3/4" overall width of hook
- 3" overall length hook and keeper back plate
- 1 x 2-5/16" centres of mounting holes on hook and keeper
- 5/16" overall height of hook assembly
- 23/32" overall height of keeper assembly
- 3-3/4" length of hook
- 1/8" thickness of mounting flanges
- 13/64" diameter of mounting holes
- 7 oz. weight each

Stainless Steel  
Prepolished



**EBERHARD**  
HARDWARE MANUFACTURING LTD.

**SPAENAUR No. D-3196**

(Mfr. No. 5600U)

Hook and Keeper

For holding doors open against side of body. Hook manually engaged and disengaged.

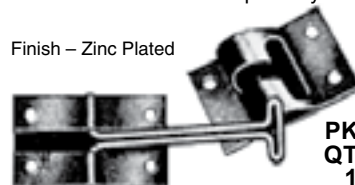
- 1-3/4" overall width of hook
- 3" overall length hook and keeper back plate
- 1 x 2-5/16" centres of mounting holes on hook and keeper
- 3/8" overall height of hook assembly

**POSITIVE DOOR HOLDER**

**SPAENAUR No. D-3196K**

Keeper only.

Finish - Zinc Plated



PKG QTY. 1

- 3/4" overall height of keeper assembly
- 4" length of hook
- 1/8" thickness of mounting flanges
- 13/64" diameter of mounting holes
- 5 oz. weight each



**EBERHARD**  
HARDWARE MANUFACTURING LTD.

**HEAVY DUTY POSITIVE DOOR HOLDER**

**SPAENAUR No. D-4019**

Zinc Plated

(Mfr. No. 5601-1/2U)

PKG QTY. 1



**Specifications**

- 1-3/4" width of hook and keeper mounting plate
- 3" overall length of hook and keeper mounting plate
- 1 x 2-5/16" centres of mounting holes on hook and keeper
- 9/16" overall height of hook assembly
- 3/4" overall height of keeper assembly
- 4" length of hook
- 1/8" thickness of mounting flange on female keeper
- 3/16" thickness of mounting flange on hook
- 13/64" diameter of 8 mounting holes
- 11 oz. weight each

The D-4019 Positive Door Holder was designed for heavy duty use. Its rugged steel construction incorporates a flat hook retaining spring which prevents the malleable hook from accidentally bouncing out of the female keeper.

**SPAENAUR No. D-4051**

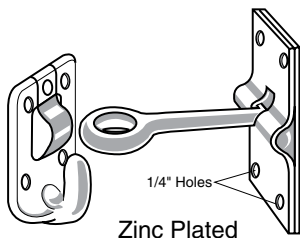
**DOOR HOLDER**

Has Drop-Forged Hook-and-Eye Pieces

PKG QTY. 1

**Dimensions:**

- 2" overall width
- 3-1/4" overall length
- 4-1/2" eye extension
- Keeper assembly: 1-3/4" overall width
- 2-1/2" overall length



Zinc Plated



**EBERHARD**  
HARDWARE MANUFACTURING LTD.

**Flexible Wire Rope DOOR HOLD BACK**

The flexibility of the wire rope compensates for any misalignment between the holdback hook and the keeper.

STEEL  
Zinc Plated Finish  
PKG QTY. 1



SPAENAUR No.	Mfr. No.	Rope Length	Mounting holes	Particulars
099-061	5601-1/2-E1	4"	0	No retainer spring in keeper

CATALOG 14

SPAENAUR