

# Cam Locks & Latches

Inch

## Serrures et loquets à came

Pouce

### D-1411,-12-13 Series CAM LOCKS

For steel cabinets, lockers, drawers, office equipment, control panels, vending machines, meters, etc. Featuring attractive square escutcheon design. 3/4" long under escutcheon to locking cam. Locking cams can be assembled in four different positions by the user: 90°-180°-270°-360°. Standard straight cam as shown. (Other cams available to special order.)

180° movement of key one way, either clockwise or anti-clockwise as required, key being free in both positions. (Other movements available to special order.)

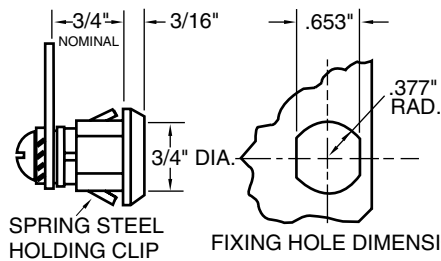
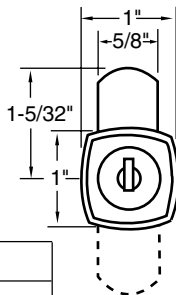
**FIXING:** The lock is fixed by means of a double pronged spring clip, specially designed to permit secure fixing by the quickest possible means and without having to take off the locking cam. The lock is offered to a fixing hole (formed to the dimensions on the drawing) and pushed home. The lock can be used on any material thicknesses from .024" to .080". (**.61 mm to 2.03 mm**). A special removal tool may be supplied if required (to special order).

ZINC BASE  
DIE-CASTINGS  
**Chrome Plated  
Finish**



To order Master Keys  
and for Additional  
data see Page L2.

PKG QTY. 1



SPRING STEEL  
HOLDING CLIP

FIXING HOLE DIMENSIONS

SPAENAUR No.

For Material Thickness

|           | .024"-.048" | .048"-.072" | .073"-.080" | Description   |
|-----------|-------------|-------------|-------------|---|
| Series 92 | D-1411      | D-1412      | D-1413      | Cam lock, with 2 keys, all to differ.               |
|           | D-1411KA    | 096-H07-1N  | D-1413KA    | Cam lock, with 2 keys, all keyed alike.             |
|           | D-1411MK    |             | D-1413MK    | Cam lock, master keyed, with 2 keys, all to differ. |

### D-3006 Series CAM LOCKS

For steel and wooden cabinets, lockers, drawers, office furniture and equipment, cubicles, control panels, vending machines, meters, etc. Manufactured to English standards. 3/4" long under escutcheon to locking cam. Locking cams can be assembled in four different positions by the user: 90°-180°-270°-360°. Standard straight cam as shown. (Other cams available to special order). 90° clockwise movement of the key from the locked position. **Key is retained in lock in unlocked position.** (Other movements available to special order.)

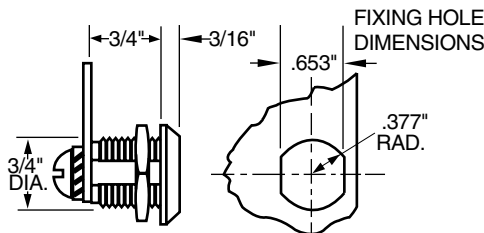
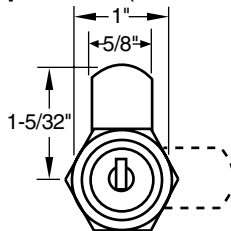
ZINC BASE  
DIE-CASTINGS

**Chrome  
Plated  
Finish**



To order Master Keys  
and for Additional  
data see Page L2.

PKG QTY. 1



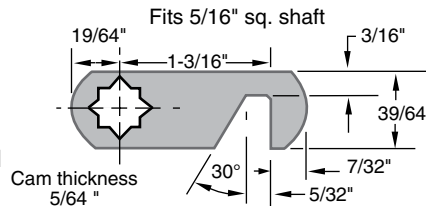
FIXING HOLE  
DIMENSIONS

| SPAENAUR No. | Description   |
|--------------|---|
| 096-H08-1T   | Cam lock, with 2 keys, all to differ.               |
| 096-H06-1C   | Cam lock, with 2 keys, all keyed alike.             |
| D-3006MK     | Cam lock, master keyed, with 2 keys, all to differ. |

#### Cam will fit Cam Lock Series:

- D-1411, See this page.
- D-1414, on following page.
- D-3006, See this page.
- 110-154, See page L13.

SPAENAUR No. **110-155**  
**Straight Notched  
Cam**  
Steel, Heat Treated, Zinc (Yellow) Plated  
PKG QTY. 10



Inch

Cam Latches & Locks / Tee Handles

Pouce

Loquets à came et serrures / poignées en T

**D-1414 Series CAM LOCKS (Utility Locks)**

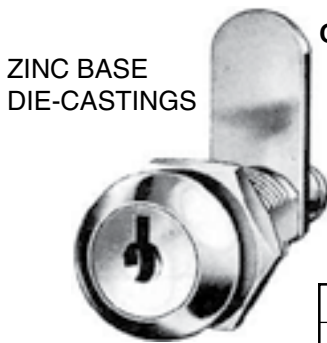
For steel and wooden cabinets, lockers, drawers, office furniture and equipment, cubicles, control panels, vending machines, meters, etc. Manufactured to North American standards.

5/8" long under escutcheon to locking cam. Locking cams can be assembled in four different positions by the user: 90° - 180° - 270° - 360°. Standard straight cam as shown. (Others cams available to special order).

180° movement of key one way, either clockwise or anti-clockwise as required, key being free in both positions. (Other movements available to special order.)

Additional data on Page L2.

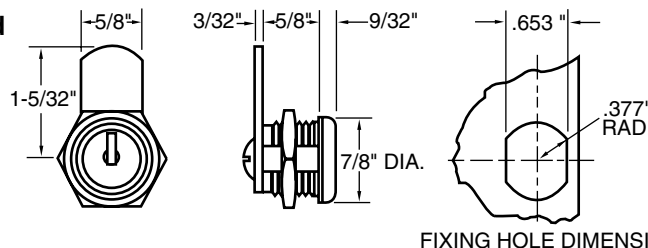
FIXING: The lock is fixed by means of a nut.



ZINC BASE DIE-CASTINGS

Chrome Plated Finish

Series 92



For Straight Hooked Cam - See Page L10.

FIXING HOLE DIMENSIONS

| SPAENAUR No. | DESCRIPTION   |
|--------------|---|
| D-1414       | Cam lock, with 2 keys, all to differ.               |
| D-1414KA     | Cam lock, with 2 keys, all keyed alike.             |
| D-1414MK     | Cam lock, master keyed, with 2 keys, all to differ. |

PKG QTY. 1

To order Master Keys see page L2.

**Series 92 TEE HANDLES**

**For Automotive and Multi-Purpose Applications**

Each handle has a 5" long spindle which may be cut by user to required length. (Special spindle lengths may be supplied on a special order basis. Minimum quantity 500 of one number on special spindle length orders.)

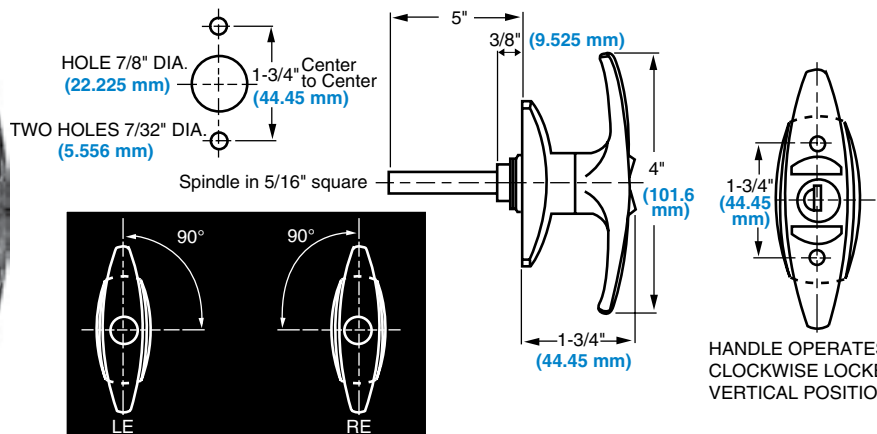
For additional data see page L2.

Chrome Plated

ZINC BASE DIE-CASTINGS

Flat Escutcheon

Escutcheon Holes 1-3/4" Centre to Centre



| SPAENAUR No. | DESCRIPTION   |
|--------------|---|
| 096-240      | Locking handle, with 2 keys, all to differ. Action 90° clockwise to open.   |
| 096-242      | Locking handle, with 2 keys, all keyed alike. Action 90° clockwise to open. |

PKG QTY. 1

All above No's. for fixing to Right or Left edge.

CATALOG 14

SPAENAUR

See page L8 for more Tee Handles.

# Cam Latches & Locks




Inch

## Loquets à came et serrures

Pouce

These attractive, low-profile latches have universal use because of their clean, modern appearance. For use on light cabinet doors and panels, up to 1/4" thick, they have a detent to help the user to know when the latch is fully open or fully closed. Each latch is supplied with a loose locking nut. The standard latching cam is straight. Other latching cams, including offset, can be supplied.



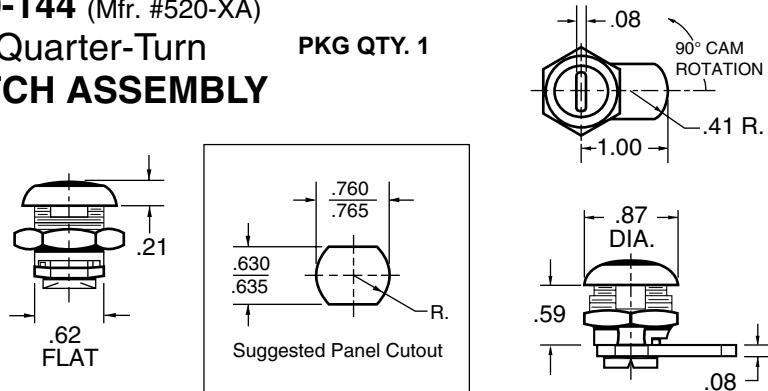
Has a slot for use with a screwdriver.

Finish:  
Chrome & Zinc Plate


### 110-144 (Mfr. #520-XA)

#### Quarter-Turn LATCH ASSEMBLY

PKG QTY. 1



90° CAM ROTATION  
.08  
.41 R.  
1.00  
.87 DIA.  
.59  
.08  
.21  
.62 FLAT  
.760  
.765  
.630  
.635  
R.  
Suggested Panel Cutout



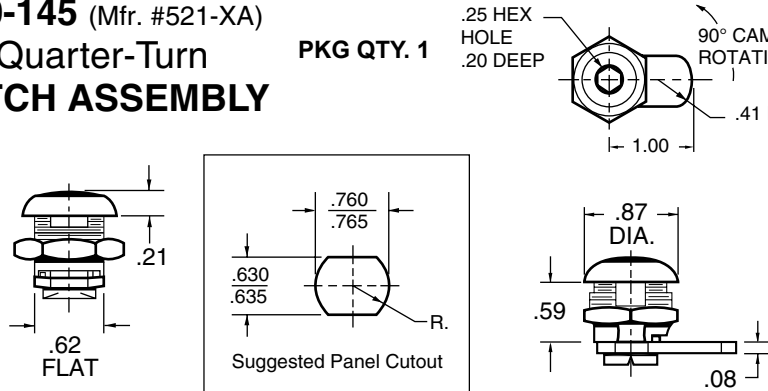
Has a 1/4" hex receptacle for use with a hex tool.

Finish:  
Chrome & Zinc Plate


### 110-145 (Mfr. #521-XA)

#### Quarter-Turn LATCH ASSEMBLY

PKG QTY. 1



.25 HEX HOLE  
.20 DEEP  
90° CAM ROTATION  
.41 R.  
1.00  
.87 DIA.  
.59  
.08  
.21  
.62 FLAT  
.760  
.765  
.630  
.635  
R.  
Suggested Panel Cutout



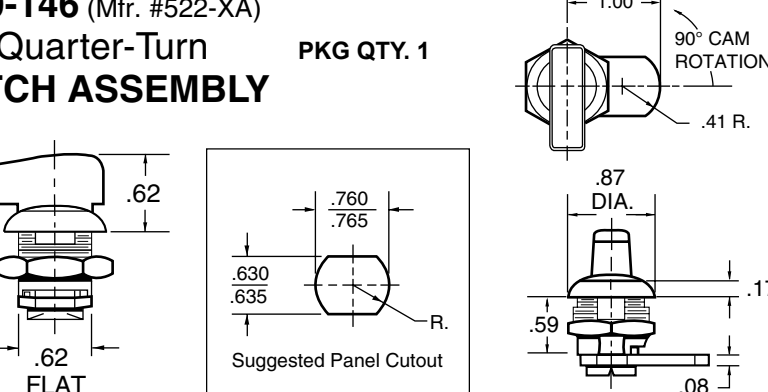
Has black zinc die-cast knob for finger actuation.

Plated Steel Parts  
Extra Locking Nut  
155-373

### 110-146 (Mfr. #522-XA)

#### Quarter-Turn LATCH ASSEMBLY

PKG QTY. 1

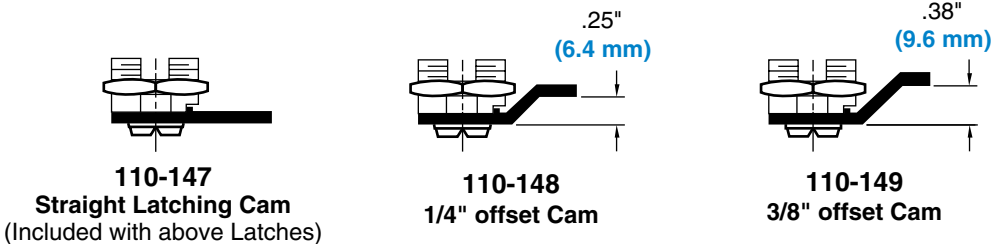


90° CAM ROTATION  
1.00  
.41 R.  
.87 DIA.  
.17  
.59  
.08  
.62  
.62 FLAT  
.760  
.765  
.630  
.635  
R.  
Suggested Panel Cutout

### Latching Cams Available

(for above latches)  
Zinc Plated Steel

PKG QTY. 10



Inch

**Cam Latches & Locks / Waterproof Cover**

Pouce

**Loquets à came et serrures / couvercle étanche**

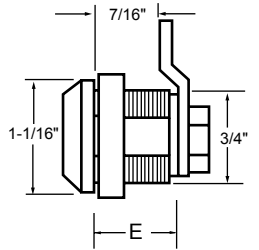
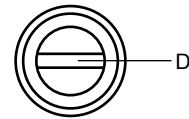
**Slot-type Lock - 90° Rotation**

This model is with a diecast slotted plug instead of locking device. This enables the lock to be opened with a coin, or screwdriver. Finish is bright chromium plated.



**110-154**  
(Chrome Plated)

Slot-type Lock



See page L10  
for Straight Notched  
Cam

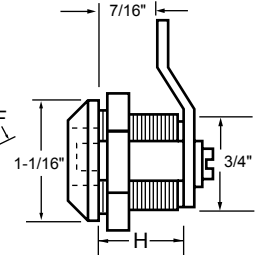
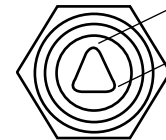
D. Slot detail 0.1" x 0.2" max. depth  
E. Body depth 0.75"

**Triangular or Square Key Lock 90° Rotation**

Ideal for fairly rugged, outdoor applications, this lock provides reasonable security at low cost with cranked latch bar as standard. Finish is black plug and housing or bright Chromium plated. The lock rotates through 90° as standard.



**110-151** (Black Finish)  
Triangular Key Locks



**876-799**

Triangular Key for  
SPAENAUR No.  
110-151

STEEL - Zinc Plated

F. Plug detail 0.312" (8 mm)  
H. Body depth 0.75"



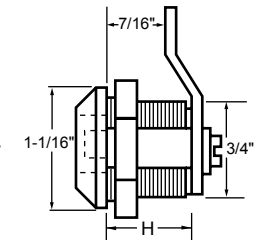
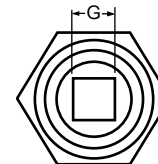
**876-1133**

Square Key for  
SPAENAUR No.  
110-032 or 110-033

STEEL  
Zinc Plated

Locks and Keys  
PKG QTY. 1

**110-032** (Black Finish)  
**110-033** (Chrome Plated)  
Square Key Locks



G. Plug detail 0.312" (8 mm)  
H. Body depth 0.75"

Cams can be set at 8 different positions and reversed angle.

**SPAENAUR No.**  
**317-522**

**Waterproof Cover for  
Compartment Locks**  
Black Polyethylene

(Fits Quarter-Turn Latches above.)



Approx.  
13/16"  
I.D.

PKG QTY. 10

Inside Cap  
Approx.  
1" I.D.

Outside Cap  
Approx.  
1-1/8" O.D.

**Cam Latches & Locks**

Inch

**Loquets à came et serrures**

Pouce



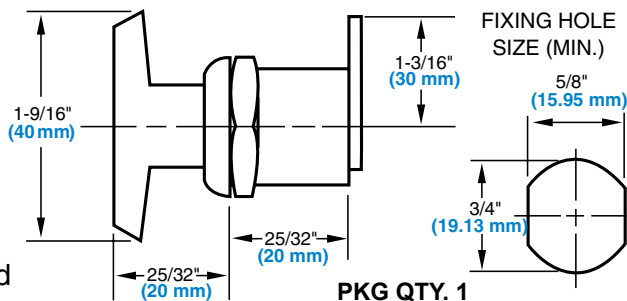
**Mini Handle**

with 90° movement

Black Matt Finish

**096-036** keyed alike

**096-037** keyed to differ, non-mastered

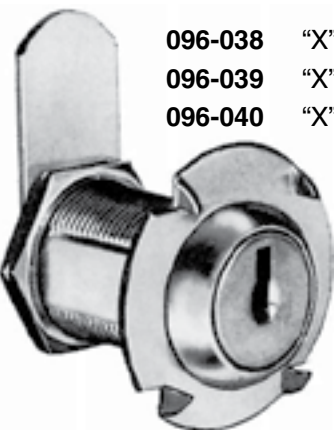


PKG QTY. 1

Cam and Housing Nut included. Two keys supplied with each lock.

For Metal Cabinets, electrical enclosures and electrical panels.

**CAM LOCK**



**096-038**

"X" = 7/8" (22 mm)

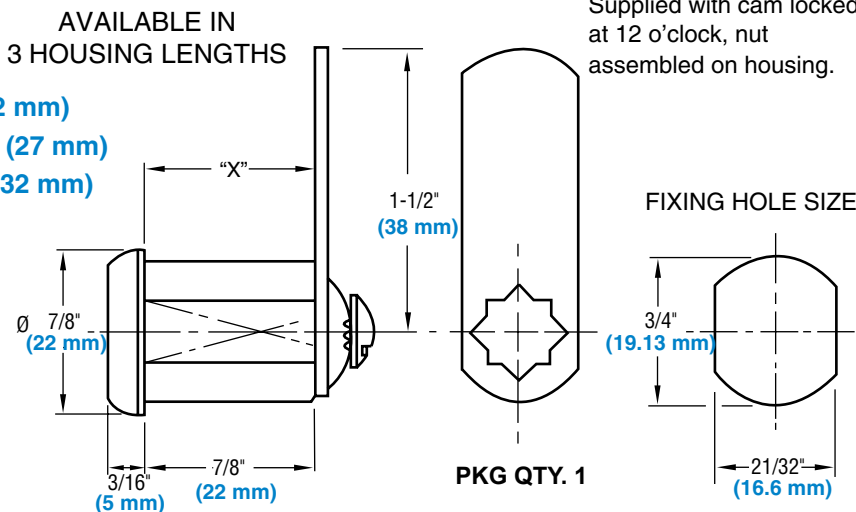
**096-039**

"X" = 1-1/16" (27 mm)

**096-040**

"X" = 1-1/4" (32 mm)

STEEL, Chrome Plated Finish



PKG QTY. 1

Supplied with cam locked at 12 o'clock, nut assembled on housing.

We recommend the use of a washer when fitting lock in wooden panels. WASHER MUST BE ORDERED SEPARATELY. (See 096-041 below.)

180° clockwise movement of key from locked position. Key free in both locked and unlocked positions. Two keys supplied with each lock. Keyed to differ.

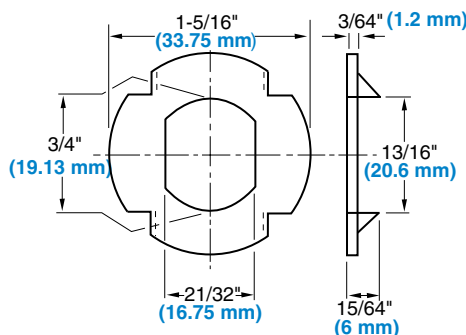
**PRONGED WASHER**

STEEL - Zinc Dichromate Plated Finish

SPAENAUR No.

**096-041**

PKG QTY. 1



Can be used on Cam Lock above and others listed in this catalog, especially when used on wood panels.



**Thin Hexagon Locknut**

SPAENAUR No.

**155-373**

STEEL - Zinc Plated

Thread: 3/4"-24  
Across Flat: 7/8"  
Thickness: 3/16"

PKG QTY. 10

Nylon Hex Jam Nut **163-058** 3/4"-27 (pg.C8) will fit SPAENAUR Cam Locks listed below.

D-1414 Series (pg. L11)

D-3006 Series (pg. L10)

Above locknut 155-373 will fit SPAENAUR Cam Locks 110-144 to 110-146 (pg. L12).

Inch and Metric

Cam Latches & Locks

Pouce et Métrique

Loquets à came et serrures

### Sliding Door Ratchet Lock

SPAENAUR No.  
**096-247**

Steel  
Polished Nickel



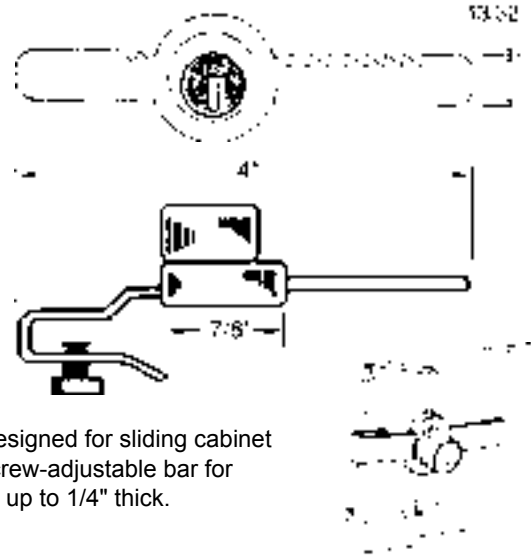
PKG QTY. 1



2 Keys included.  
(keyed to differ)

**Operation** - Standard key may be removed in locked & unlocked position.

Ratchet locks are specifically designed for sliding cabinet doors. This useful lock has a screw-adjustable bar for thicker glass or other materials, up to 1/4" thick.



### Glass Sliding Door Pin Lock

SPAENAUR No.  
**096-245**

2 Keys included.  
(keyed to differ)

Steel  
Bright Chrome

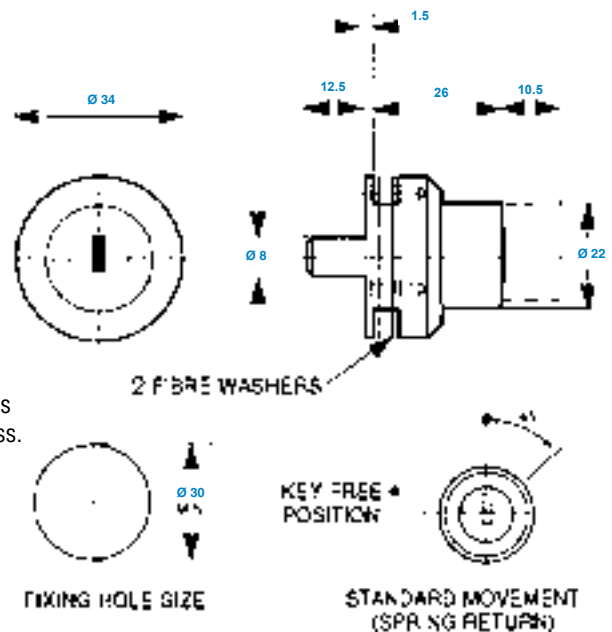


PKG QTY. 1

The lock is suitable for fixing to glass panels **3.0 mm - 6.0 mm** in thickness.

Push to engage lock.  
Use key that is supplied to release lock.

(Dimensions in mm)

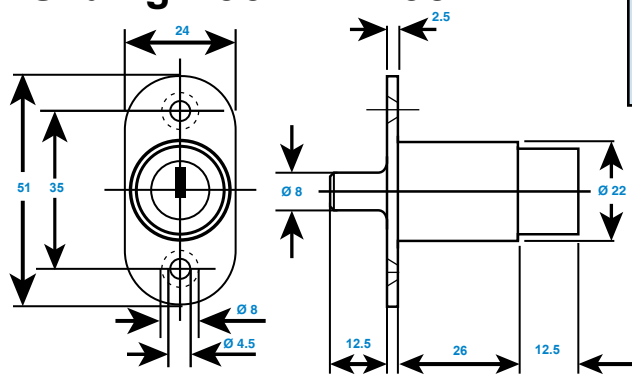


### Sliding Door Pin Lock

SPAENAUR No.  
**096-246**

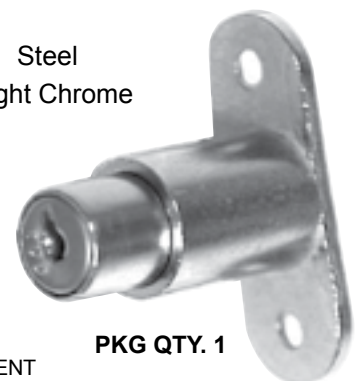
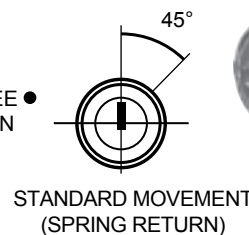
2 Keys included.  
(keyed to differ)

Steel  
Bright Chrome



(Dimensions in mm)

KEY FREE POSITION



PKG QTY. 1

Push to engage lock. Use key that is supplied to release lock.

CATALOG 14 SPAENAUR