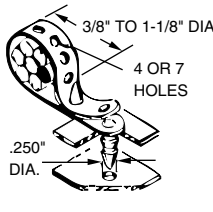


Cable Ties / Mount & Clips / Installation Tool

Inch

Sangles de câble / attaches de câble / montures et clips

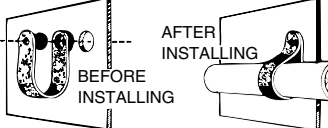
Pouce



C-579P
ADJUSTABLE CABLE STRAP
 4 Hole Style
 Overall length 3-5/8"
Polyethylene
 For 3/8" to 7/8" dia. cable,
 Barbed shank for 1/4" hole.

G.M. No. 1348340
 Chry. No. 6015149
 2097188

BLIND HOLE STRAPS
 Made of polyethylene.




Max. Wire or Cable Dia. Accommodated

SPAENAUR No.	Mounting Hole Dia.	Max. Wire or Cable Dia. Accommodated	PKG QTY. 50
C-785P	1/4"	1/4"	For Mounting in 1/16" thick (approx.) panel.
C-786P	1/4"	7/16"	
C-787P	1/4"	5/8"	

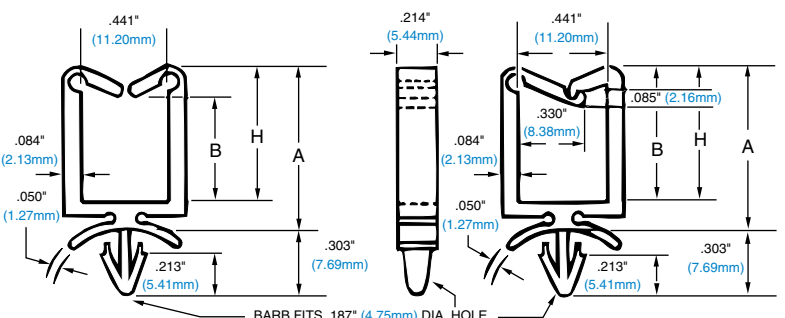
GALVANIZED STEEL PERFORATED ANCHOR STRAPPING

Galvanized Steel for nails or bolts



SPAENAUR No.	Material	Width	Thick-ness	HOLE Dia.	Centres	Unit Pkg.	Breaking Load
859-G01-1A	Steel	3/4"	24 ga.	5/32" & 9/32"	9/16"	1-25' lgth.	600 lbs.

PUSH MOUNT WIRE SADDLE CLIPS Nylon 6/6




SPAENAUR No.	DIM A	DIM B	DIM H	Colour
086-002	1.065" 27.05 mm	.752" 19.10 mm	.930" 23.62 mm	Natural
086-377	1.065" 27.05 mm	.752" 19.10 mm	.930" 23.62 mm	Black
086-376	.716" 18.19 mm	.366" 9.30 mm	.581" 14.76 mm	Black

(1) TENSION RETAINER STYLE
 (2) SELF-LOCKING RETAINER STYLE
 One-piece, self-retaining wire clip, just pops in place by hand. Wire bundles load fast through opening at top, and are easily removed for service. Stand-Off base prevents wire contact. A snug, reliable attachment.

PKG QTY. 100

Plain Head Nylon Self-locking cable ties speed harness tying




Temperature Range: -54° to +150° C.


SPAENAUR No.	Max Wire Bundle Dia.	Approx. O/A Length	Approx. Strap Width	Minimum Tensile Strength	PKG QTY.
086-F72-1X	3/4"	4"	.100"	18 lbs.	100
086-438	1-1/4"	6"	.140"	30 lbs.	100
086-439	2"	8-1/2"	.150"	40 lbs.	100
086-440	2"	8"	.140"	30 lbs.	100
086-F60-1X	3"	11-1/2"	.150"	40 lbs.	100
086-444	4"	14-1/2"	.150"	40 lbs.	100
086-445	4"	15-1/4"	.300"	120 lbs.	100
086-446	8-3/4"	29-3/4"	.300"	120 lbs.	50

Cable Tie Mount

Nylon Cable Tie-mounting Devices For Fastening Plain Head Cable Ties to Wall or Panel



with screw or rivet hole




Adhesive Backed 4-Way Mount

SPAENAUR No.	Used with These Cable Ties*	Screw Hole Size	PKG QTY.
086-455	M, I, S	#6	100
086-456	M, I, S	#8	100
086-458	M, I, S, H	#8	100
086-459	M, I, S, H	#10	100
086-460	M, I, S, H	1/4"	100
086-462	M, I, S	Adhesive Backed (with two holes 3/16" for #8 Screw or Rivet)	100

*Tie Cross Section: M = Miniature, I = Intermediate, S = Standard, H = Heavy

SPAENAUR No. 876-900
Hand-operated Cable Tie INSTALLATION TOOL



Installs Miniature, Intermediate, and Standard Cable Ties

PKG QTY. 1

Inch

Nylon Strapping & Dart Clips

Pouce

Sangles et clips sapins en nylon

Perforated Anchor Strapping of NYLON

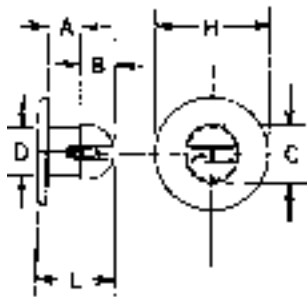


SPAENAUR No.	Material	Width	Thick-ness	HOLE Dia.	Centres	PKG QTY.	Suggested Fasteners
859-008	Nylon (Black)	9/32"	.032"	.096"	3/16"	100 ft.	086-200 Stud
859-009	Nylon (Black)	3/8"	.040"	.167"	3/16"	100 ft.	

NYLON PUSH-IN FASTENERS

NATURAL COLOUR

Push-in Fasteners provide an inexpensive, fast, convenient method to join plastic, light sheet metal, insulating materials, circuit boards, or any other thin, lightweight material. They can also be used as push-in glides or as bumpers. Special designed legs provide compression and expansion to lock fastener into pre-punched holes. These fasteners are vibration, abrasion and corrosion resistant and feature large heads for easier assembly and can be used over and over.



Dimensions in Inches

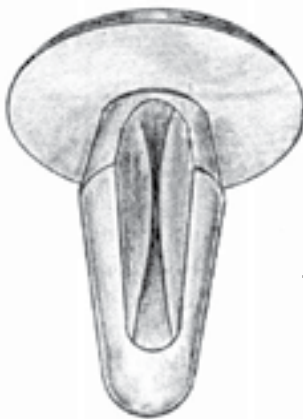
SPAENAUR No.	H	A	B	C	D	L	PKG QTY.
▲086-200	9/32	.093	.078	.105	.093	.206	100
086-465	11/32	.125	.137	.202	.165	.297	100
086-463	15/32	.156	.153	.238	.200	.359	100
◆086-201	15/32	.156	.153	.238	.200	.359	100
086-464	19/32	.171	.187	.300	.260	.418	100
086-691	19/32	.250	.187	.300	.245	.497	100

◆ Black Nylon ▲ Unslotted

NYLON "DART" CLIPS

EASY TO INSERT - THEY HOLD!

Snap securely in place with finger pressure to hold panels, gaskets, and other assemblies formerly fastened by screws or rivets.



PKG QTY. 100

The stud section is hollowed out, similar to a canoe, with a low entering ramp angle for ease of insertion. Due to the resiliency of the material and the high removal ramp angle, the items fastened are held snugly together. Being plastic, problems of rust and paint scratching are eliminated.

Dimensions in Inches

SPAENAUR No.	Colour	Nominal Hole Size	Panel Thickness Range	Head Dia.	Head Height	Length under Head
086-371	Natural	.135-.140 Dia.	.060-.070	.300	.060	.330
086-372	Natural	.131-.141 Dia.	.060-.090	.406	.150	.275
086-374	Natural	.131-.141 Dia.	.115-.160	.406	.100	.437
086-130	Black	.182-.192 Dia.	.100-.160	.375	.060	.437
086-F85-1A	Natural	.250-.260 Dia.	.125-.187	.500	.055	.630