

Handwheels / "T" Handles

Molettes / Poignées en T



Inch

Pouce

A tolerance of  $\pm 0.125$ " is possible on Boteco non-critical measurements.

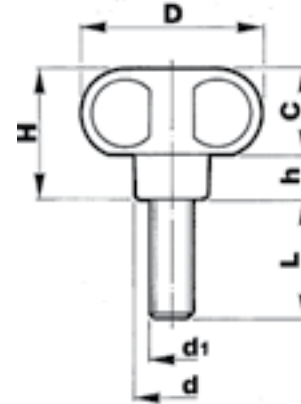
4 - LOBE HANDWHEEL

Male



SPAENAUR No.

	D	H	d	d1	L	C	h
135-W95-1W	0.99	0.59	0.47	1/4-20	0.50	0.35	0.24
135-275	0.99	0.59	0.47	1/4-20	1.00	0.35	0.24
135-W31-1T	1.18	0.87	0.59	1/4-20	1.00	0.55	0.32
135-195	1.18	0.87	0.59	1/4-20	1.25	0.55	0.32
135-074	1.18	0.87	0.59	5/16-18	1.00	0.55	0.32
135-196	1.18	0.87	0.59	5/16-18	1.25	0.55	0.32
135-198	1.18	0.87	0.59	3/8-16	1.00	0.55	0.32
135-197	1.18	0.87	0.59	3/8-16	1.25	0.55	0.32
135-W07-1W	1.58	1.10	0.63	5/16-18	1.00	0.75	0.35
135-W25-1P	1.58	1.10	0.63	5/16-18	1.50	0.75	0.35
135-075	1.58	1.10	0.63	3/8-16	1.00	0.75	0.35
135-201	1.58	1.10	0.63	3/8-16	1.25	0.75	0.35
135-202	1.97	1.26	0.79	3/8-16	1.00	0.87	0.39
135-W57-1W	1.97	1.26	0.79	3/8-16	1.50	0.87	0.39
135-204	1.97	1.26	0.79	1/2-13	1.00	0.87	0.39
135-203	1.97	1.26	0.79	1/2-13	1.50	0.87	0.39
135-W58-1M	2.36	1.49	0.91	1/2-13	1.50	0.95	0.55
135-205	2.36	1.49	0.91	1/2-13	2.00	0.95	0.55



Thermoplastic Material

J

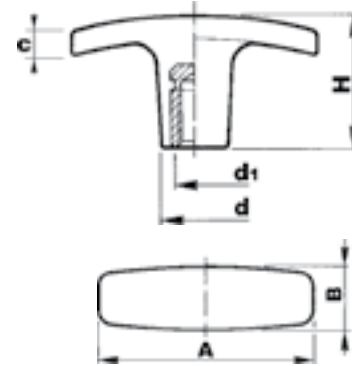
"T" HANDLE

Female



SPAENAUR No.

	A	H	c	d	d1	B
135-W47-1X	1.97	0.95	0.20	0.55	1/4-20	0.59
135-W03-1C	2.36	1.26	0.24	0.59	5/16-18	0.67



Thermoplastic Material

Also available with a moulded thread.

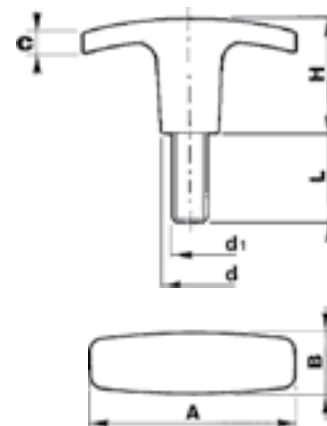
"T" HANDLE

Male



SPAENAUR No.

	A	H	c	d	d1	B	L
135-W82-1K	2.36	1.26	0.24	0.59	1/4-20,	0.67	.75



Thermoplastic Material

ALL ITEMS ON THIS PAGE - PKG QTY. 1

CATALOG 14

SPAENAUR